

ColorMax & Colormax XL series

Technical Reference Guide

Product Overview

Describes features for the product.

Setup

Describes setup and installation of the product.

Handling

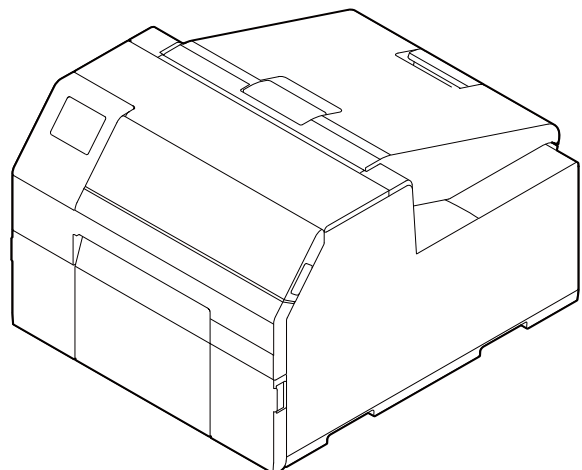
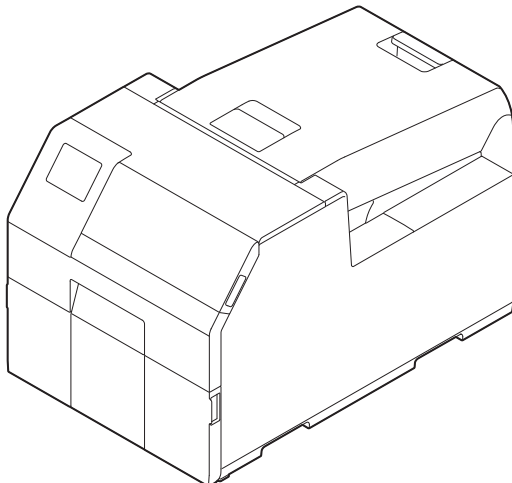
Describes how to handle the product.

Information for Application Development

Describes how to control the printer and necessary information when you develop applications.

Appendix

Describes specifications of the product.



Cautions

- All rights reserved. No part of this publication may be reproduced, stored in a retrieval system, or transmitted in any form or by any means, electronic, mechanical, photocopying, recording, or otherwise, without the prior written permission of Seiko Epson Corporation.
- The content of this manual is subject to change without notice. Please contact us for the latest information.
- While every precaution has been taken in the preparation of this manual, Seiko Epson Corporation assumes no responsibility for errors or omissions.
- Neither is any liability assumed for damages resulting from the use of the information contained herein.
- Neither Seiko Epson Corporation nor its affiliates shall be liable to the purchaser of this product or third parties for damages, losses, costs, or expenses incurred by purchaser or third parties as a result of: accident, misuse, or abuse of this product or unauthorized modifications, repairs, or alterations to this product, or (excluding the U.S.) failure to strictly comply with Seiko Epson Corporation's operating and maintenance instructions.
- Seiko Epson Corporation shall not be liable for any damages or problems arising from the use of any options or any consumable products other than those designated as Genuine Epson Products or Epson Approved Products by Seiko Epson Corporation.

Trademarks

EPSON, EXCEED YOUR VISION, and ESC/Label are registered trademarks of Seiko Epson Corporation.

Microsoft®, Windows®, Windows Vista®, and Windows Server® are registered trademarks of Microsoft Corporation in the United States and/or other countries.

Mac and Mac OS are trademarks of Apple Inc., registered in the U.S. and other countries.

Zebra Technologies Corporation and ZPL II are the registered trademarks or trademarks of Zebra Technologies Corporation.

Intel®, Celeron®, and Pentium® are trademarks of Intel Corporation in the U.S. and/or other countries.

BarTender® is registered trademark of Seagull Scientific, Inc. in the United States and other countries.

NiceLabel® is trademarks or registered trademarks of Euro Plus d.o.o.

CODESOFT is registered trademarks or trademarks of TEKLYNX International.

All other trademarks are the property of their respective owners and used for identification purpose only.

©Seiko Epson Corporation 2019-2020. All rights reserved.

Before Use

This chapter describes information you should know before using the product.

Manuals for This Product

Paper manual

Start Here



Guides you through basic setup steps from unpacking to loading paper.

Manual viewable with PC

User's Guide



Describes details about the functions and operating procedures of the product, maintenance information, and troubleshooting. It can be viewed from the supplied CD.

Manual viewable with PC

ColorMax & ColorMaxXI Series Technical Reference Guide (This manual)





Provides information necessary for installing the product, performing daily tasks, and developing a system using the product.

Symbols Used in This Guide



The following symbols are used in this guide to indicate important information.

Symbols for Safety

The symbols shown below are used in this manual in order to ensure safety and proper use of this product and to prevent danger to you and other persons, and property damage. Be sure that you completely understand their meanings before reading this manual.

 WARNING	Handling the product improperly by ignoring this symbol can lead to death or serious injury.
 CAUTION	Handling the product improperly by ignoring this symbol can lead to injury and property damage.

Symbols for General Information

 IMPORTANT	Indicates information with which you must comply when using the product. Mishandling due to ignoring this information may cause the product to fail or malfunction.
	Indicates supplementary explanations and information you should know.

Safety Precautions

To ensure safe use of the product, be sure to read this manual and the other instruction manuals supplied with the product before use. Store this manual in a safe place so that you can resolve any unclear points regarding the product at any time.

Cautions on Installation



Do not block the air vents of the product. (["Rear" on page 19](#))
Doing so can result in heat accumulated in the product causing a fire.
Do not cover the product with a cloth or install it in a poorly-ventilated location.
Furthermore, ensure there is the installation space specified in the manual.



- Do not install/store the product in an unstable location or in a location subject to vibration from other devices. The product may fall or collapse, causing breakage and possible injury.
- Do not install the product in a location exposed to oily smoke or dust, or in a humid location. Doing so may cause electric shock or fire.
- When lifting the product, perform the work with the correct posture. Lifting the product with an inappropriate posture may cause injury.
- Because the product is heavy, do not attempt to carry the product by one person. When unpacking or moving the product, make sure to carry the product by at least two persons. See below for details on the mass of this product. (["Product Specifications" on page 223](#))
- Do not install the peeler model at a location exposed to strong light such as direct sun rays. Doing so may cause the label peeling detector to malfunction and the printer may not print properly.

Cautions on Handling



- Do not use the product in a location with volatile substances such as alcohol or paint thinner present, or near fire. Doing so may cause electric shock or fire.
- Shut down the product immediately if it produces smoke, a strange odor, or unusual noise. If you go on using the product, it may result in electric shock or fire. If an abnormality occurs, immediately turn off the power and remove the plug from the outlet, and then contact qualified service personnel for advice.
- Shut down the product immediately if a foreign object or water or other liquid gets inside the product. If you go on using the product, it may result in electric shock or fire. Immediately turn off the power and remove the plug from the outlet, and then contact qualified service personnel for advice.
- Do not disassemble the areas other than those mentioned in this manual.
- Never attempt to repair the product yourself as doing so is dangerous.
- Do not use the product in a location where inflammable gas, explosive gas, etc. is present in the atmosphere. Furthermore, do not use aerosol sprayers containing flammable gas inside or around the product. Doing so may cause fire.
- Do not connect cables in ways other than those mentioned in this manual. Doing so may cause fire. It may also damage the other connected devices.
- Do not touch the areas inside the product other than those mentioned in this manual. Doing so may cause electric shock or burns.
- Do not insert metal or flammable materials, or allow them to fall into the product. Doing so may cause electric shock or fire.
- If the screen of the printer is damaged, handle the liquid crystal inside it very carefully. Should any of the following situations arise, take emergency measures.
 - * When any part gets onto your skin, wipe off the deposit, and wash the area properly with soap and water.
 - * When any part gets into your eyes, flush them with clean water for at least 15 minutes, and thereafter, consult with a doctor.
 - * When a part gets into your mouth, immediately consult with a doctor.



- Do not allow anyone to stand or place heavy objects on top of the product. In particular, be careful in the case of a household with children. The product may fall or collapse, causing breakage and possible injury.
- Install the cables and optional products in the proper direction according to the proper procedures. If they are installed improperly, it may result in fire or injury. Follow the instructions in this manual to install them properly.
- Before moving the product, shut down and unplug the product, and make sure that all the cables are disconnected. Failure to do so may damage a cable, causing electric shock or fire.
- Do not store or transport the product while it is tilted, standing, or upside down. Doing so may cause the ink to leak.
- Do not use the printer with the paper cover removed. Doing so will cause the printer to malfunction.

Cautions on Power Supply



WARNING

- Do not allow dust or other foreign material to adhere to the power plug. Doing so may cause electric shock or fire.
- Do not use a power cord other than that supplied with the product. In addition, do not use the supplied power cord with another device. Doing so may cause electric shock or fire.
- Do not use a damaged power cord. Doing so may cause electric shock or fire. Contact qualified service personnel for advice if the power cord is damaged. Furthermore, observe the following points so as not to damage the power cord.
 - * Do not modify the power cord.
 - * Do not place heavy objects on the power cord.
 - * Do not forcibly bend, twist, or pull the power cord.
 - * Do not lay the power cord near a heating appliance.
- Do not insert or remove the power plug with a wet hand. Doing so may cause electric shock.
- Do not connect many power cords to one outlet. Doing so may cause fire. Supply power directly from a power outlet.
- Regularly disconnect the power plug from the outlet and clean the base of the prongs and between the prongs. Leaving the power plug connected to the outlet for a long period of time may cause dust to accumulate on the base of the power plug prongs, resulting in a short and fire.
- Hold the plug and do not pull the cord when disconnecting the power plug from the outlet. Pulling the cord may damage the cord or deform the plug, causing electric shock or fire.






CAUTION

To ensure safety, unplug the product before leaving it unused for an extended period.

Cautions on Ink Cartridges



CAUTION

- The ink cartridges that can be used differ depending on the model number of the product. Use ink cartridges suitable for the model number of your printer. ("[Ink Cartridges](#)" on page 269)
- Do not touch the IC chip on an ink cartridge. Doing so may result in normal operation and printing becoming no longer possible.
- The product uses ink cartridges equipped with IC chips to manage the amount of ink used and other information so ink cartridges are usable even if they are removed and reinstalled. However, if an ink cartridge with not much ink remaining is removed and reinstalled, it may not be usable. Some ink is consumed each time cartridges are installed because the product automatically checks their reliability.
- Install all ink cartridges. Printing is not possible if even only one ink cartridge is missing.
- Since ink cartridges are designed to stop the operation before ink runs out completely to maintain the quality of the print head, some ink remains in the used ink cartridges.
- All the ink colors are consumed also for the maintenance operations when an ink cartridge is replaced and for print head cleaning.
- Do not turn off the power or open the ink cartridge cover during ink charging (while the  (power) LED lamp is flashing). Opening the cover may cause the ink to be recharged, resulting in more ink being consumed. Also, it may result in normal printing becoming no longer possible.
- Even for monochrome printing, all the ink colors are used in an operation designed to maintain the printing and print head quality.
- Do not disassemble an ink cartridge. Doing so may cause ink to get into eyes or onto skin.
- Do not disassemble or modify an ink cartridge. Doing so may cause printing malfunction.
- Use of old ink cartridges may result in reduced print quality. Use ink cartridges up within six months after opening the packages. The usage period for ink cartridges is printed on the packaging of the individual ink cartridges.
- If ink contacts your skin, eyes, or mouth, take the following actions.
 - * When ink gets onto your skin, immediately wash the area with soap and water.
 - * When ink gets into your eyes, immediately flush them with water. Leaving the ink as is may result in bloodshot eyes or mild inflammation. If something is wrong, immediately consult with a doctor.
 - * When ink gets into your mouth, immediately spit it out and consult with a doctor.
- There may be some ink around the ink supply port on a removed ink cartridge. Take care so that it does not stain the desk or other surface.
- Do not open an ink cartridge package until you are ready to install the ink cartridge in the product.
- Do not shake an ink cartridge too hard. The ink cartridge may leak if you shake it around too much or push the sides strongly.
- Do not allow foreign objects to fall into the cartridge installation section. Doing so may result in normal printing becoming no longer possible. Remove any object that falls into the installation section, taking care not to damage the section.
- When ink is charged the first time (right after purchase), ink is consumed for filling the print head nozzles (ink discharge holes) to get ready for printing. Therefore, the number of the sheets that can be printed may be fewer than for cartridges installed later.
- When the printer is powered off with the  (power) button, the print head is automatically capped to prevent the ink from drying. When you will not use the printer after installing the ink cartridges, be sure to turn the power off with the  (power) button. Do not pull out the power plug or turn off the breaker while the power is on.



- Printing on water-repellent paper such as art paper, which is slow-drying, may cause print stains. Also, if you print on glossy paper, fingerprints may get on the paper or ink may adhere to your fingers when you touch the print surface. Select and use paper that will not cause print stains.
- Store the ink cartridges in a place out of reach of children.
- Epson recommends storing ink cartridges in a cool and dark place.
- If you wish to use ink cartridges that have been stored in a cold place for a long period of time, leave them for at least 3 hours in a place that is at room temperature before use.
- Do not remove the ink cartridges from the product when storing or transporting the product.

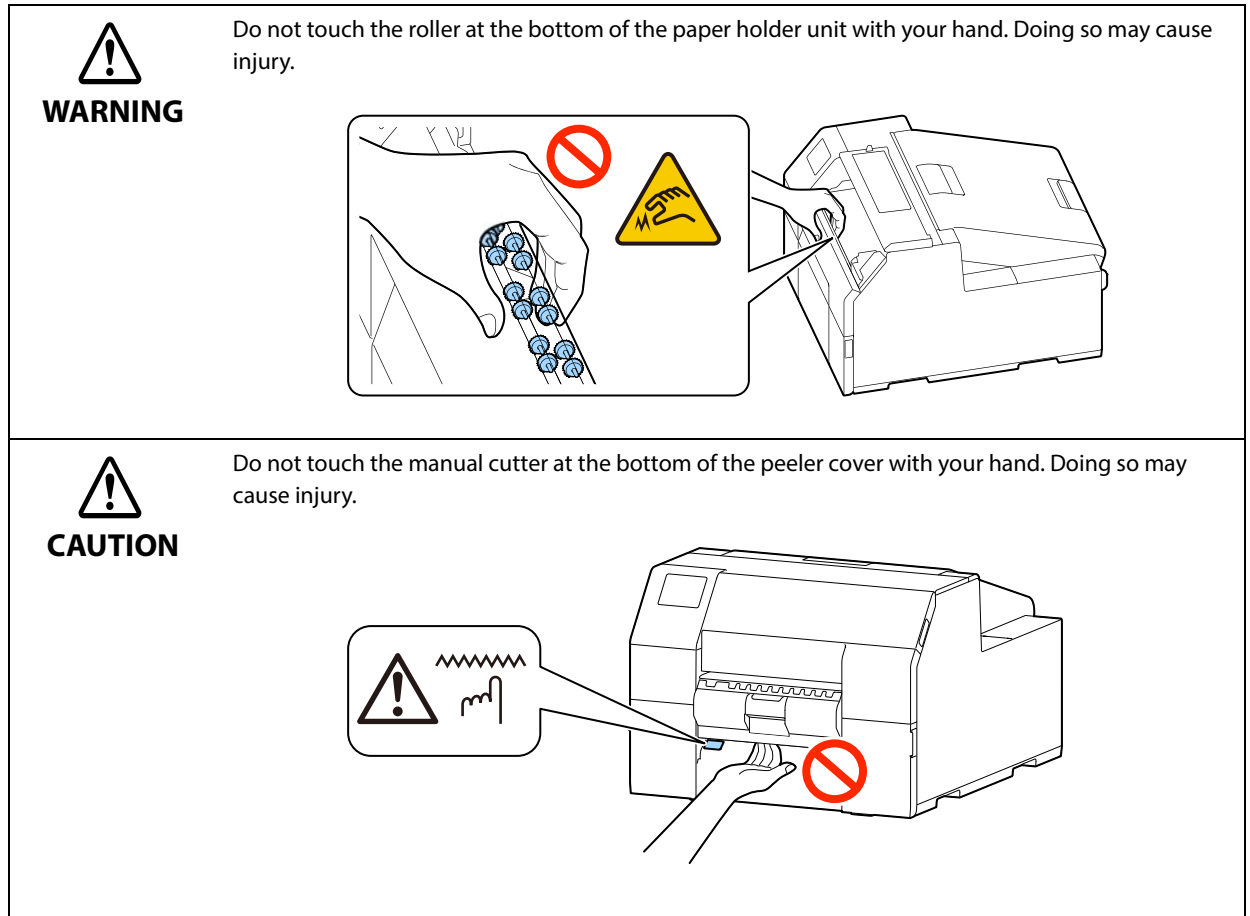
Cautions on the Maintenance Box



- Store in a place out of reach of children. Do not drink any adhered ink.
- Do not disassemble or modify the maintenance box. Doing so may cause ink to get into eyes or onto skin.
- Do not touch the IC chip on the maintenance box.
- If a maintenance box that can still be used has been removed and left detached for a long period of time, do not reuse it.
- Do not peel off the film from the top surface of the maintenance box.
- If ink contacts your skin, eyes, or mouth, take the following actions.
 - * When ink gets onto your skin, immediately wash the area with soap and water.
 - * When ink gets into your eyes, immediately flush them with water. Leaving the ink as is may result in bloodshot eyes or mild inflammation. If something is wrong, immediately consult with a doctor.
 - * When ink gets into your mouth, immediately spit it out and consult with a doctor.
- Do not shake a used maintenance box too hard. The ink may leak from the maintenance box if you swing or shake it too hard.
- Avoid storing the maintenance box under high temperatures or in a frozen state.
- Keep it away from direct sunlight.

Caution Label

The labels affixed to the product indicate the following cautions.



Restriction of Use

When this product is used for applications requiring high reliability/safety such as transportation devices related to aviation, rail, marine, automotive etc.; disaster prevention devices; various safety devices etc.; or functional/precision devices etc., you should use this product only after giving consideration to including fail-safes and redundancies into your design to maintain safety and total system reliability. This product is not intended for use in applications requiring an extremely high level of reliability and safety, such as in aerospace instruments, main communication equipment, nuclear power control equipment, or medical equipment, etc. Please make your own judgment on this product's suitability after a full evaluation.

About This Manual

Aim of the Manual

This manual is intended to provide information required for developing, designing, and installing a system, and for developing and designing printer applications for developers.

Manual Content

This manual consists of the following chapters.

Chapter 1	Product Overview
Chapter 2	Setup
Chapter 3	Handling
Chapter 4	Information for Application Development
Appendix	Appendix

Screenshots

Unless otherwise noted, Windows 10 screenshots are used in this manual. Depending on the printer model and OS version that you use, the screenshots may differ from actual Windows screens.

Illustrations

Unless otherwise noted, illustrations of ColorMaxXL Series are used in this manual. They may look slightly different from your printer.

Contents

■ Before Use	3
Manuals for This Product	3
Symbols Used in This Guide.....	4
Safety Precautions.....	5
Cautions on Installation	5
Cautions on Handling	6
Cautions on Power Supply	7
Cautions on Ink Cartridges.....	8
Cautions on the Maintenance Box	9
Caution Label	10
■ Restriction of Use	11
■ About This Manual	11
Aim of the Manual.....	11
Manual Content	11
Screenshots	11
Illustrations	11
■ Contents	12

Product Overview..... **17**

■ About Models of this Product	17
Auto cutter model	17
Peeler model	17
■ Part Names and Functions	18
Front	18
Rear	19
Inside.....	20
Spindle and Flange	21
Operation Panel	22
■ Nozzle Verification Technology	24
Nozzle Verification Technology Settings	24
Dot Substitution (Supplemental Printing) Function.....	26
■ Setting Periodic Auto Cleaning	27
■ Checking the Printer Status	28
Printing the Status Sheet	28
Printing the Network Connection Check Report	29
Checking the Status of Consumables	30

Setup	31
■ Unpacking	31
■ Removing the Protective Materials	32
■ Installing the Printer	33
■ Connecting the Power Cable	34
■ Turning On/Off	35
Turning the Power On	35
Turning the Power Off	35
■ Operation Panel	35
■ Installing the Ink Cartridges	36
Replacing the Ink Cartridges.....	37
■ Installing the Maintenance Box.....	39
Replacing the Maintenance Box	39
■ Installing the Printer Driver and Connecting to a Computer	41
Setup using Install Navi	41
Setup without using Install Navi.....	42
■ Media Settings.....	44
■ Loading Paper.....	45
How to Load Paper (Auto Cutter Model - Supply from Inside)	46
How to Load Paper (Auto Cutter Model - Supply from Outside)	50
How to Load Paper (Peeler Model - Supply from Inside)	54
How to Remove Paper (For the Auto Cutter Model).....	59
How to Remove Paper (For the Peeler Model).....	60
How to Eject Paper at Paper End (For the Auto Cutter Model)	62
How to Eject Paper at Paper End (For the Peeler Model)	63
■ Test Print	64
Test Print using the Printer Driver	65
Handling	66
■ Printer Driver for Windows	66
Printer Driver Screen Configuration	67
Paper Source and Paper Detection Settings	68
User-Defined Paper	70
Printing Barcodes.....	79
Printing 2D Symbols.....	90
Printing Barcodes / 2D Symbols on .NET Environment	97
Favorite Settings.....	99
User Defined Information	102
Exporting/Importing Printer Driver Settings	102
Starting PrinterSetting from the Printer Driver	105
Setting EPSON Status Monitor 3.....	106
Restrictions on Using the Printer Driver.....	112

■ Printer Driver for Mac	113
Basic Procedure for Printing	113
Customizing the Printer Driver	119
Epson Label Printer Utility	121
■ PrinterSetting	123
How to Start PrinterSetting	124
How to Apply Settings	125
Media settings	126
Layout settings	127
Position adjustment	129
Print results adjustment	131
Store data in the printer	132
Background image settings	133
Print head maintenance	135
Printer settings	136
Print Head Alignment	137
Panel settings	142
Operating Time Settings	143
Nozzle check settings	144
Advanced settings	145
Initialize printer	150
Printer information	151
Settings save and restore	153
Option	154
■ Operation Panel Settings	155
■ WebConfig	162
■ Spot Color Settings	164
Creating Spot Color Setting File	164
Printing using the Spot Color Setting File	169
■ Color Correction	170
Vivid colors	170
ICM	172
No composite	173
■ Opening the Paper Cover	174
Opening the Cover using the Lever in the Front	174
Opening the Cover using the Lever in the Back	174
■ Printing from the First Label (Auto cutter model only)	175
■ Adjusting Gap Detector	176
Adjusting Label Detector for Circle Die-cut Labels (Example)	177
■ Cleaning the Printer	178
Cleaning the Exterior	179
Cleaning the Auto Cutter (Auto Cutter Model Only)	180
Cleaning the Peeler (Peeler Model Only)	182
Cleaning the Edge Guides	183
Cleaning the Platen	184
Cleaning the Paper Feed Roller	185
Cleaning the Paper Pressure Roller	188

Print Head Cleaning	190
Using the Operation Panel.....	191
Using the Printer Driver	191
Using the WebConfig.....	191
■ Storing the Printer for Long Periods with Ink Cartridges Installed	192
Before Storing the Printer	192
For Using the Printer after Long Storage.....	193
■ For Transporting the Printer	194
■ Troubleshooting.....	195
A message is displayed on the operation panel.....	195
Print Quality Problems	199
Cannot Print	201
Network Connection Check Errors.....	203
A message is displayed on the computer screen	204
Printing from a computer is impossible or becomes suddenly impossible.....	205
Print Job is Canceled on PC but “Printing” Message on Printer Does Not Disappear.....	206
Paper is jammed	207

Information for Application Development..... 214

■ How to Control the Printer	214
Using the Epson Inkjet Label Printer SDK.....	215
Using the ESC/Label Commands.....	215
Changing Printer Settings and Replacing Printer.....	216
■ Software and Manuals	222

Appendix..... 223

■ Product Specifications	223
Operating Environment.....	224
Paper Specifications.....	225
Electrical Specifications	259
Reliability.....	259
Environmental Specifications.....	260
Overall Dimensions	261
■ Consumables Specifications	269
Ink Cartridges	269
Maintenance Box.....	270
■ Option Specifications	271
Roll Paper Holder.....	271
■ Requirements for External Devices	272
Media Source Setting	272
Paper Feed Speed	272
Paper Tension.....	273
Paper Curl.....	274

Paper Angle for Feeding and Ejecting	275
Position of Paper Feeder and Paper Rewinder	276
■ Downloading Printer Driver, Utilities, and Manuals	277
■ Label Print Applications	277
How to Get Software.....	277
■ For Inquiries	278

Product Overview

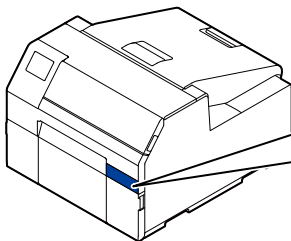
This chapter describes features of the product.

About Models of this Product

Auto cutter model

Features: Equipped with an auto cutter. The paper can be cut either according to the application settings, or with the help of the Cut button on the operation panel.

Model number:



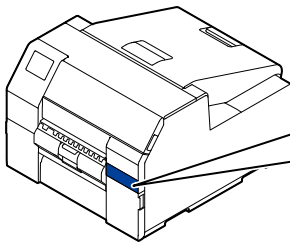
ColorMax Series (4-inch model)

ColorMaxXL Series (8-inch model)

Peeler model

Features: Equipped with a peeler mechanism. By passing a backing paper through the peeler, labels are printed being peeled from the backing paper.

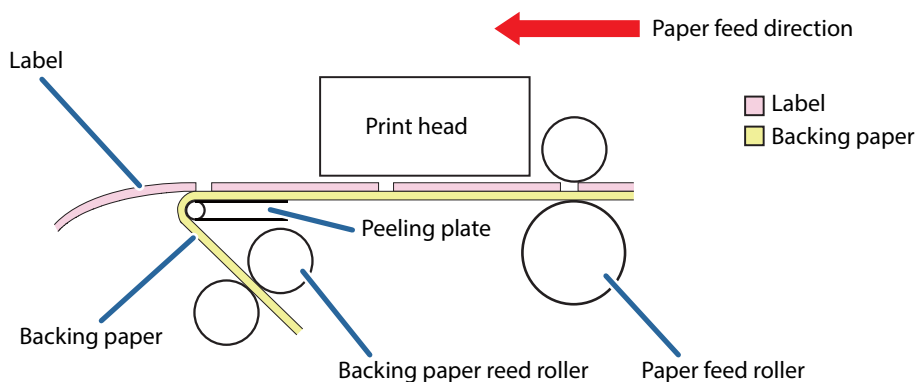
Model number:



ColorMax Series (4-inch model)

ColorMaxXL Series (8-inch model)

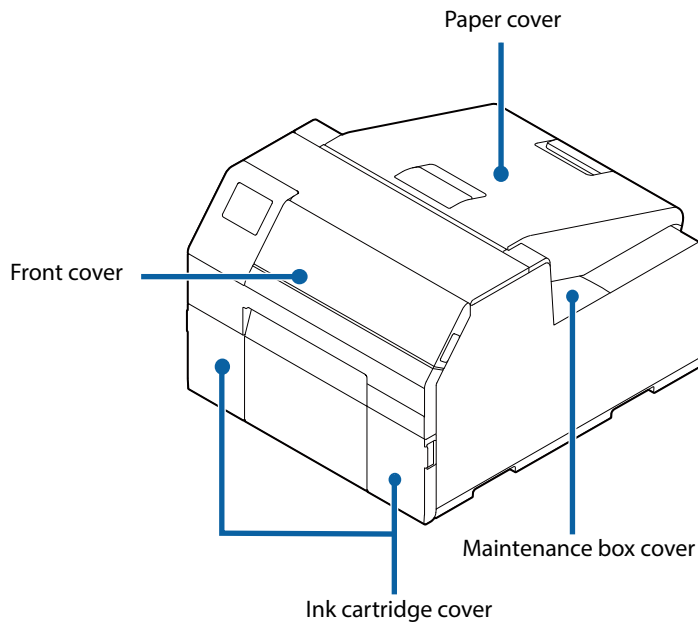
Lateral view (when waiting the printed label to be removed):



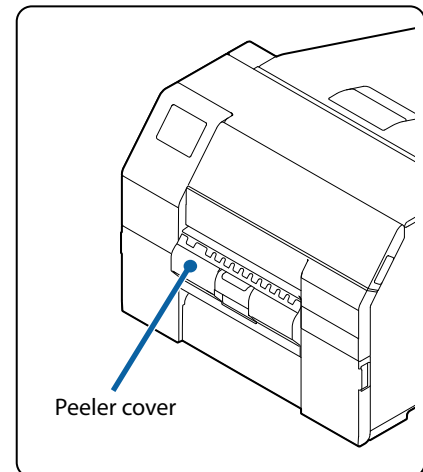
Part Names and Functions

This section describes the main operation parts.

Front

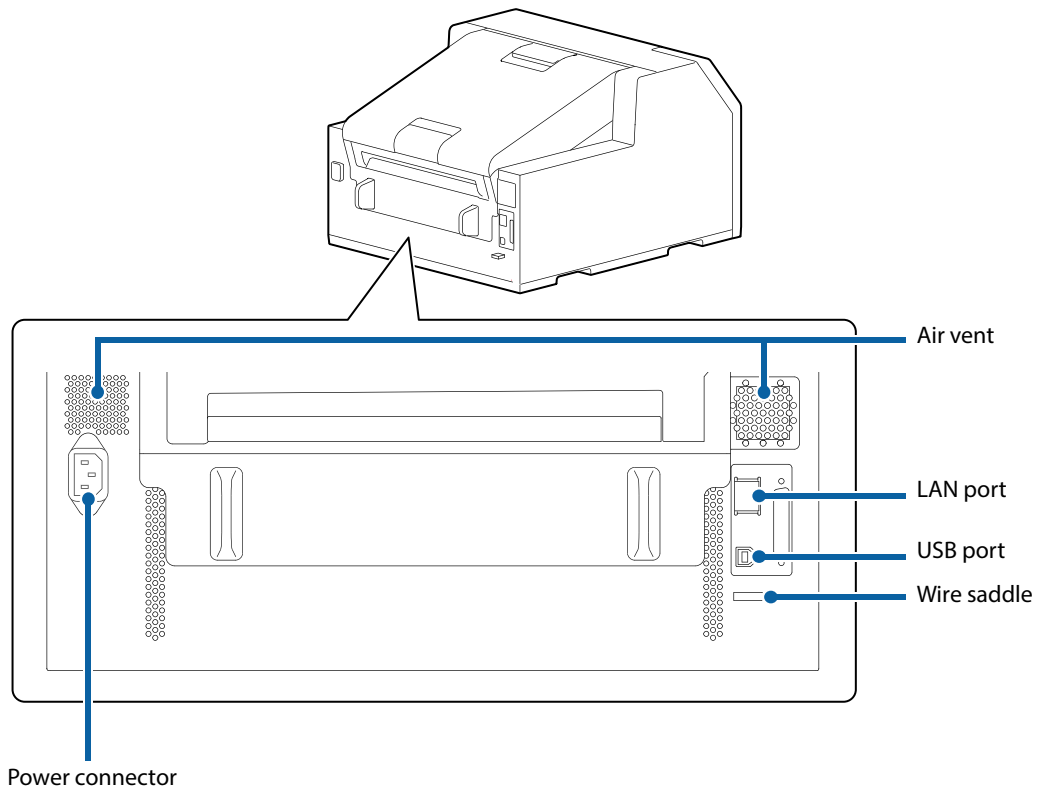


Peeler model

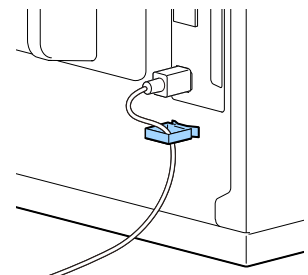


Name	Description
Front cover	Open this cover to remove paper if it is jammed. ("Paper is jammed" on page 207)
Ink cartridge cover	Open this cover to install/replace the ink cartridge. ("Replacing the Ink Cartridges" on page 37)
Maintenance box cover	Open this cover to install/replace the maintenance box. ("Replacing the Maintenance Box" on page 39)
Paper cover	Open this cover to load or replace paper. How to open the paper cover differs depending on whether the paper is to be supplied from the inside or the outside. ("Opening the Paper Cover" on page 174)
Peeler cover (peeler model only)	Open this cover to load paper. By passing a backing paper through the peeler, labels are printed being peeled from the backing paper. The cover is equipped with a label peeling detector, which detects whether a peeled label is remaining at the paper ejection slot or not.

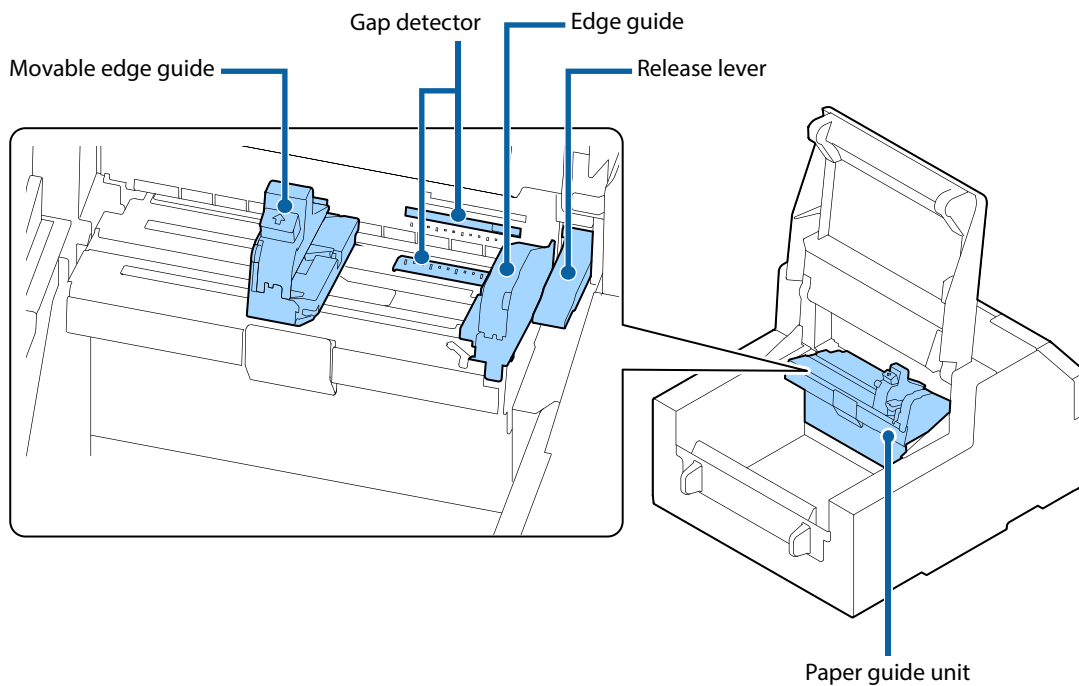
Rear



Name	Description
Power connector	Connect the power cable.
Wire saddle	Pass the USB cable through this saddle to prevent disconnection of the cable.
USB port	Connect a USB cable.
LAN port	Connect a LAN cable.
Air vent	Exhausts heat generated in the printer to prevent the temperature inside the printer from rising. Provide a clearance of 10 cm {3.94"} or more from the area around the air vent to ensure ventilation when installing the printer.



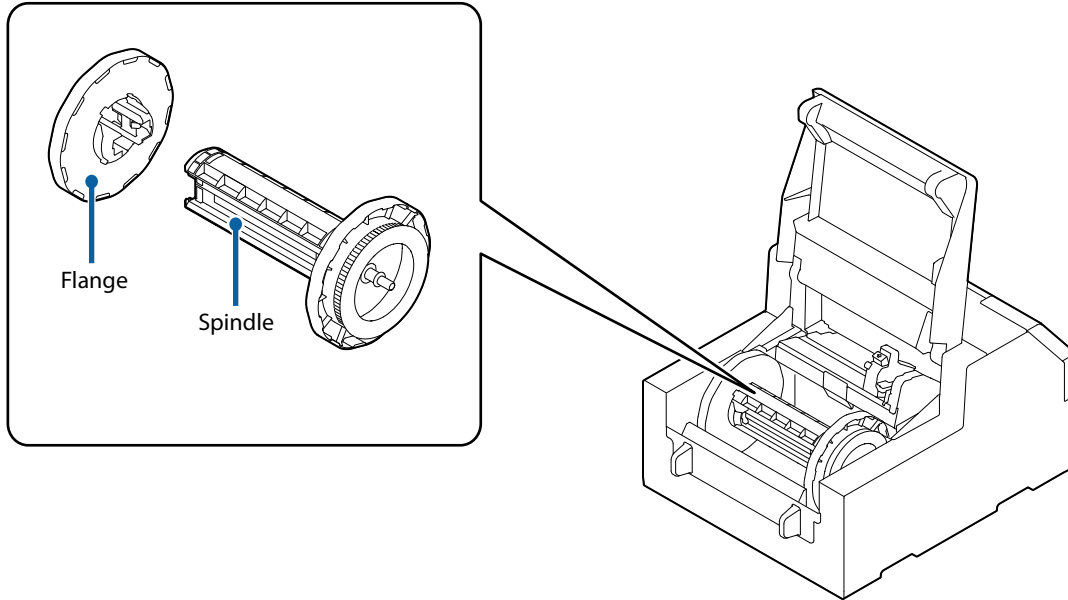
Inside



Name	Description
Movable edge guide	Supports paper at the paper width position while the paper is fed into the printer. Squeeze the blue lever to move the edge guide. Adjust them to match the paper width.
Gap detector	You can adjust the position of the gap detector. The adjustment is necessary before printing on odd-shaped labels such as circle or oval. (" Adjusting Gap Detector " on page 176)
Release lever	Use this lever when removing a jammed paper. By moving the lever up, the paper pressure rollers are unlocked and you can remove paper jammed inside the front cover.
Edge guide	Supports paper while the paper is fed into the printer. When loading paper, load the paper along this guide.
Paper guide unit	Move this unit when cleaning the paper feed roller. If you pull the blue lever, the entire unit moves, and you can check the paper feed roller.

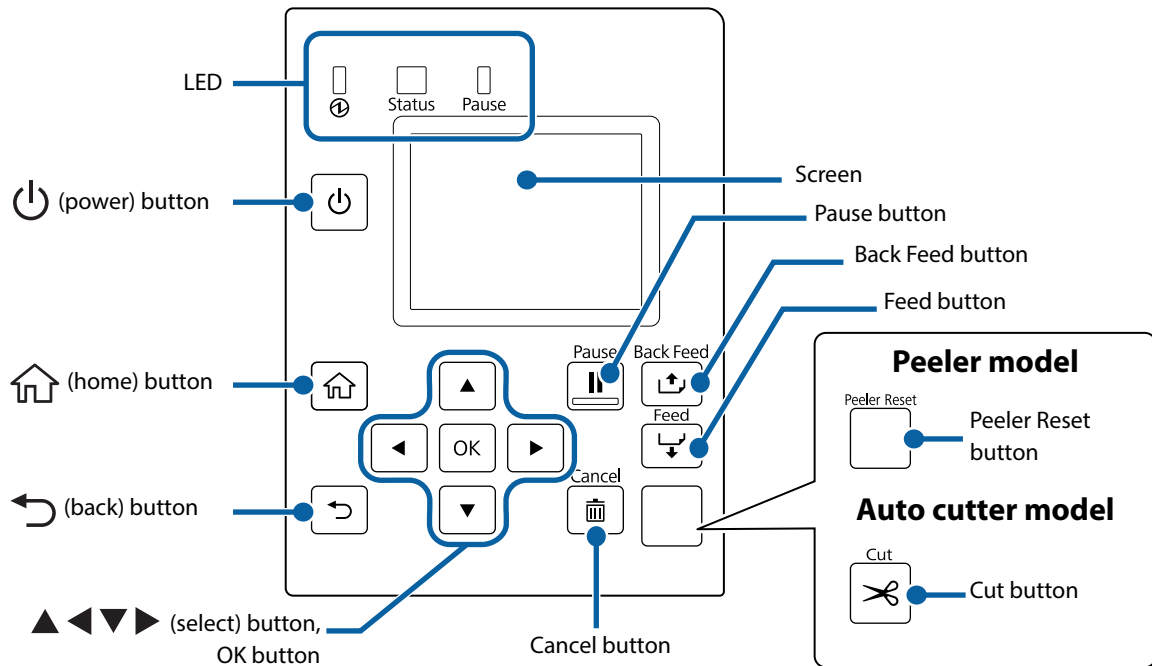
Spindle and Flange

Used to supply the paper from the inside.



Name	Description
Flange	Attach this to the spindle to fix the roll paper loaded on the spindle. Squeeze the blue lever to attach or remove to/from the spindle.
Spindle	Load roll paper on this spindle.

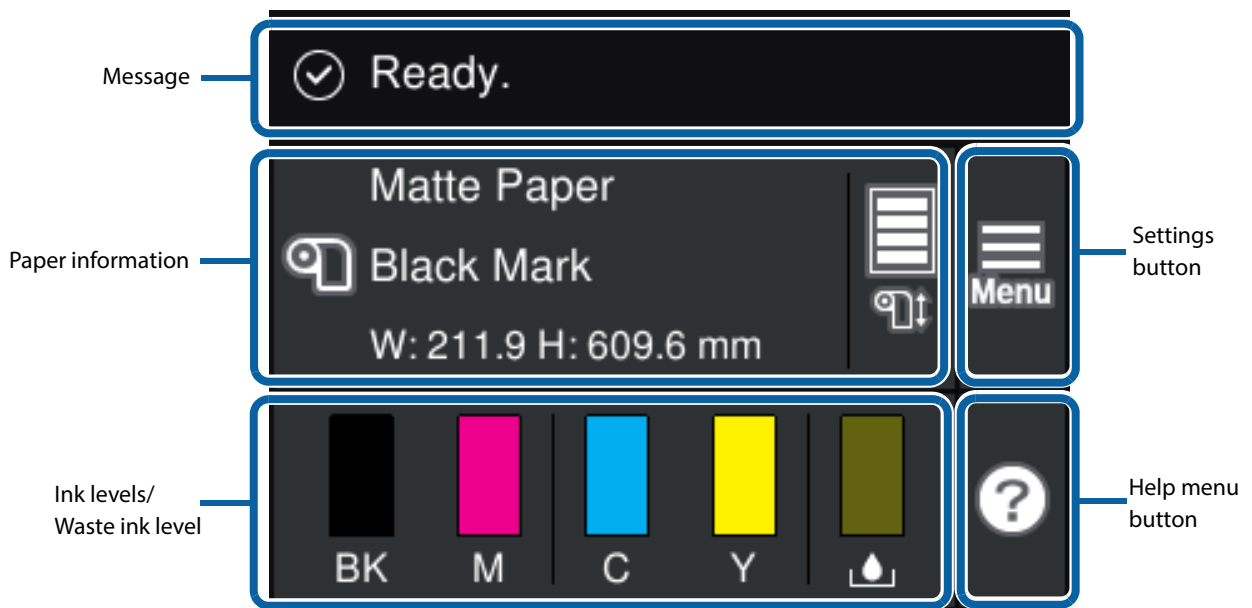
Operation Panel



Name	Description
LED	The status of the printer can be checked from the flashing of the LEDs. This allows you to know the cause of an error and how to resolve the problem. <ul style="list-style-type: none"> ⏻ (power) LED Stays on while the printer is on. Flashes during printing or charging ink. Status LED Stays on or flashes while an error or problem is occurring. Pause LED Stays on or flashes while the printer is paused.
⏻ (power) button	Turns on/off the printer.
🏠 (home) button	Displays the Home screen.
↶ (back) button	Use to return to the previous screen.
▲◀▶▼ (select) button, OK button	Use the ▲◀▶▼ keys to select a menu item, and then press the OK button to activate the selected menu or setting.
Cancel button	Use this to return the printer to standby mode.
Cut button (Auto cutter model only)	Use to cut paper. The paper cannot be cut twice at the same position.
Peeler Reset button (Peeler model only)	Use to cancel pause state. Press this button if printing of the next data does not start even after removing printed labels. For details, refer to "Cannot Print" on page 201 .
Feed button	Press this briefly to feed paper by one page. Hold down to feed paper continuously.

Name	Description
Back Feed button	Use to replace paper. Hold down this button to feed the paper backward until you can pull the paper out of the printer.
Pause button	If this button is pressed during printing, printing is stopped after printing of the current page is finished. If this button is pressed while printing is being stopped, the printer returns to the standby state.
Screen	Status of the printer, menus, and error messages are displayed.

Home Screen



Name	Description
Message	A printer status or an error message is displayed. ("A message is displayed on the operation panel." on page 195)
Paper information	The current paper settings are displayed. For a roll paper, approximate remaining paper length of the roll is also displayed. Touch this area to directly access the [Paper Settings] menus.
Ink levels/ Waste ink level	The length of the bars indicate how much ink of each color is remaining, and how much space in the maintenance box is remaining. The shorter the bars are, the lower the ink levels and remaining space are. A [!] mark will appear when the ink cartridge or the maintenance box needs to be replaced soon. A [x] mark will appear when the ink cartridge or the maintenance box needs to be replaced.
Help menu button	You can see troubleshooting information and basic operating procedures.
Settings button	Allows you to access the maintenance menus, various printer settings, and network settings. Throughout this manual, touching this button is indicated as [Menu]. All the settings available from this button are listed in the link below. ("Operation Panel Settings" on page 155)

Nozzle Verification Technology

The “Nozzle Verification Technology” allows the printer to detect clogging of the print nozzles by self-check.

Depending on required print quality, you can enable or disable the “Nozzle Verification Technology” function, set how often to run the self-check, threshold for the check, and whether to run a cleaning after the check. In addition to that, if nozzle clogging is not cleared by the cleaning, the printer carries out supplemental printing using nozzles adjacent to the clogged nozzles.



By using this function, you can prevent sharp decline in the print quality and barcode quality.

Nozzle Verification Technology Settings

If the “Nozzle Verification Technology” function is enabled, self nozzle check is run at the time of the following cases.

- When the number of printouts has reached the number specified as the interval of the self-check.
- When the printer is turned on
- When the front cover or the paper cover is closed after a paper jam
- Just before running a regularly scheduled cleaning
(["Setting Periodic Auto Cleaning" on page 27](#))

If the result of self nozzle check exceeds the specified threshold, a head cleaning is run automatically to clear the nozzle clogging. After the cleaning, the self nozzle check is run again. If the result of the check still exceeds the threshold, auto cleaning is also run again.

 CAUTION	<p>This function cannot provide 100% accuracy guarantee for preventing drop in print quality due to nozzle clogging. The printer cannot perfectly detect missing dots and skewed ink drops on printouts.</p>
	<ul style="list-style-type: none"> • The cleaning cleans the entire print head. It does not clean the print head partially for cleaning only the clogged nozzles. • A small amount of ink is consumed for this Nozzle Verification Technology function. • The print head cleaning is run automatically after the self nozzle check when set to do so. Ink is consumed for the head cleaning.

Enabling/Disabling the Nozzle Verification Technology

You can enable or disable the Nozzle Verification Technology function.

The factory default is “Enable”.

How to Set

Set using the operation panel of the printer, or using PrinterSetting.

See ["Operation Panel Settings" on page 155](#) or ["PrinterSetting" on page 123](#).

Setting Auto Nozzle Check Interval

Specify the number of printouts to let the printer run the nozzle check when reached the number. The printer will stop while running the check.

How to Set

Set using the operation panel of the printer, or using PrinterSetting.

Specify the number in the range of 1 to 13000.

See ["Operation Panel Settings" on page 155](#) or ["PrinterSetting" on page 123](#).



- The count of printouts is reset when the specified number is reached and nozzle check is performed, and when the printer is turned off.
- The factory default is "500".

Setting Threshold of Nozzle Clogging

Specify the threshold of nozzle clogging. If the number of detected clogged nozzles exceed the threshold, a message is displayed on the printer's screen. You can set to run an auto head cleaning in such a case. If the number of clogged nozzles is below the threshold, you can use the supplemental printing function.

How to Set

Set using the operation panel of the printer, or using PrinterSetting.

Specify the number in the range of 0 to 16 nozzles.

See ["Operation Panel Settings" on page 155](#) or ["PrinterSetting" on page 123](#).



- The number of nozzles is the total of four color (BK, C, M, Y) nozzles.
- The factory default is "6".

Setting Auto Cleaning after Nozzle Check

You can set to run an auto head cleaning when the number of detected clogged nozzles exceeds the threshold.

When this setting is enabled: A message is displayed on the printer's screen and the cleaning is run automatically when the number of detected clogged nozzles exceeds the threshold.

When this setting is disabled: A message is displayed on the printer's screen when the number of detected clogged nozzles exceeds the threshold, but the cleaning is not run.

How to Set

Set using the operation panel of the printer, or using PrinterSetting.

The factory default is "Enable".

See ["Operation Panel Settings" on page 155](#) or ["PrinterSetting" on page 123](#).

Dot Substitution (Supplemental Printing) Function

The “Dot Substitution” function automatically supplements missing dots caused by clogged nozzles with dots generated by nozzles adjacent to the clogged nozzles. The number of nozzles that can be supplemented is up to 16 nozzles. However, if the clogged nozzles are located next to each other, the supplementation does not work well. If the number of clogged nozzles exceeds 16, supplementation for 16 nozzles is performed without stopping the printing operation.

You cannot use this function if you have disabled the Nozzle Verification Technology function. Enable the Nozzle Verification Technology function to use this function.



- This function cannot perfectly supplement missing dots, so drop in print quality or barcode quality can occur even if this function is used.
- Since the supplementation is performed according to information of clogged nozzles that has been acquired when starting printing, nozzles that get clogged during printing are not supplemented.

How to Set

Set using the operation panel of the printer, or using PrinterSetting.

The factory default is “Enable”.

See ["Operation Panel Settings" on page 155](#) or ["PrinterSetting" on page 123](#).

Setting Periodic Auto Cleaning

The printer is set to run an auto cleaning periodically to maintain the print head in good condition.

You can change the time to start the cleaning.

The cleaning takes 2 to 30 minutes. During the cleaning, printing is disabled.



- The default time to run the cleaning is "0:00".
- When changing the time, set a time when the printer is powered on but printing operation is not required.
- If the printer is powered off when the time to start the cleaning is reached, the cleaning is performed next time the set time is reached with the printer powered on.
- If the printer has been left unused without being powered on for a long time, the cleaning may be run when the printer is turned on.

How to Set

Set using the operation panel of the printer, or using PrinterSetting.

See "[Operation Panel Settings](#)" on page 155 or "[PrinterSetting](#)" on page 123.


Checking the Printer Status

Printing the Status Sheet

By printing the status sheet, you can check the firmware version and the current printer settings, such as print mode and media detection settings.

On the operation panel, select the menu in the order shown below to print the status sheet.


[Menu] - [Printer Status/Print] - [Print Status Sheet]



To print the status sheet, load paper that has a label that measures at least 4 inches width and 6 inches long.

IMPORTANT

Status Sheet Example	Status Sheet (Network Settings) Example
<pre> <Printer Status Sheet> Sheet Output Time YYYY.MM.DD hh:mm <Basic Information> Model XX-XXXXX Serial Number XXXXXXXXXX Main Firmware Version XXXXXXXXX MAC Address XX:XX:XX:XX:XX:XX IP Address Setting Auto/Manual IP Address XXX.XXX.XXX.XXX Subnet Mask XXX.XXX.XXX.XXX Gateway Address XXX.XXX.XXX.XXX Head ID XXXXXXXXXXXXXXXXXXXXXXXXXXXXXXXXXXXX </pre> <hr style="border: 1px solid black; margin: 10px 0;"/> <pre> - ^^^^ ^^^^ 03 xxxx yyyy/mm/dd hh:mm 04 xxxx yyyy/mm/dd hh:mm 05 xxxx yyyy/mm/dd hh:mm 06 xxxx yyyy/mm/dd hh:mm 07 xxxx yyyy/mm/dd hh:mm 08 xxxx yyyy/mm/dd hh:mm 09 xxxx yyyy/mm/dd hh:mm 10 xxxx yyyy/mm/dd hh:mm </pre>	<div style="border: 1px solid black; padding: 10px; margin: 10px auto; width: 80%;"> <pre> HHH NetWork Status Sheet HHH <General Information> MAC Address xx:xx:xx:xx:xx:xx Firmware xxxxxxxxx Network Status AUTO(Disconnected) <TCP/IP IPv4> Obtain IP Address Manual IP Address xxx.xxx.xxx.xxx Subnet Mask xxx.xxx.xxx.xxx Default Gateway xxx.xxx.xxx.xxx HHHHHHHHHHH 1/1 HHHHHHHHHHH </pre> </div>



You can also print a list of registered fonts, barcode fonts, images or templates.

Printing the Network Connection Check Report

By printing the network connection check report, you can check the network connection status and the network settings.

On the operation panel, select the menu in the order shown below to print the report.

[Menu] - [General Settings] - [Network Settings] - [Connection Check]



IMPORTANT

To print the network connection check report, load paper that has a label that measures at least 4 inches width and 6 inches long.

Network Connection Check Report Example

Check Network Connection

Check Result	Pass
--------------	------

Network is working correctly.

If your problems persist,
see your documentation for help and networking tips.

Checked Items

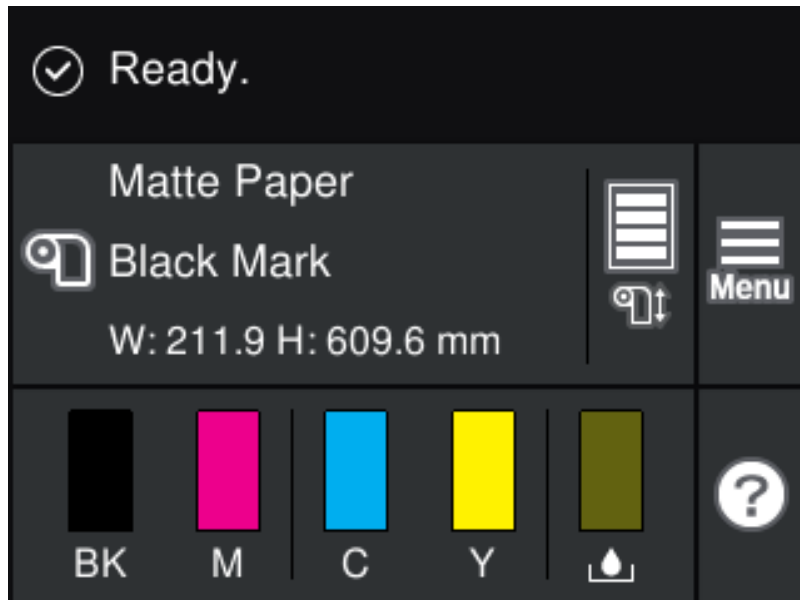
Ethernet cable Connection Check	Pass
IP Address Check	Pass
Detailed IP Setup Check	Pass

Network Status

Printer Name	XX-XXXXX
Printer Mode1	XXXXXXXXXX
IP Address	XXX.XXX.XXX.XXX
Subnet Mask	XXX.XXX.XXX.XXX
Default Gateway	XXX.XXX.XXX.XXX
Mac Address	XX:XX:XX:XX:XX:XX

Checking the Status of Consumables

On the home screen of the printer, you can check the following information; the status of the ink cartridges and the maintenance box, paper settings (paper type, detection method, label width/length), remaining amount of paper. ("[Home Screen](#)" on page 23)

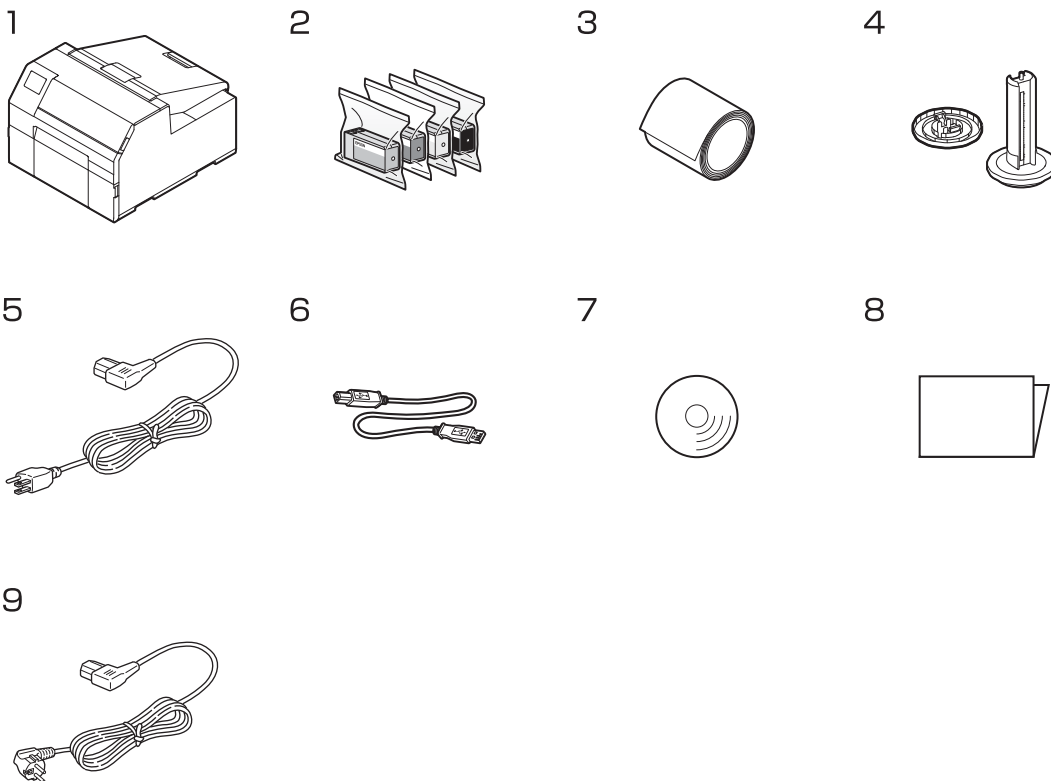


Setup

This chapter describes procedures for installing and setting up the printer that are required before using the printer.

Unpacking

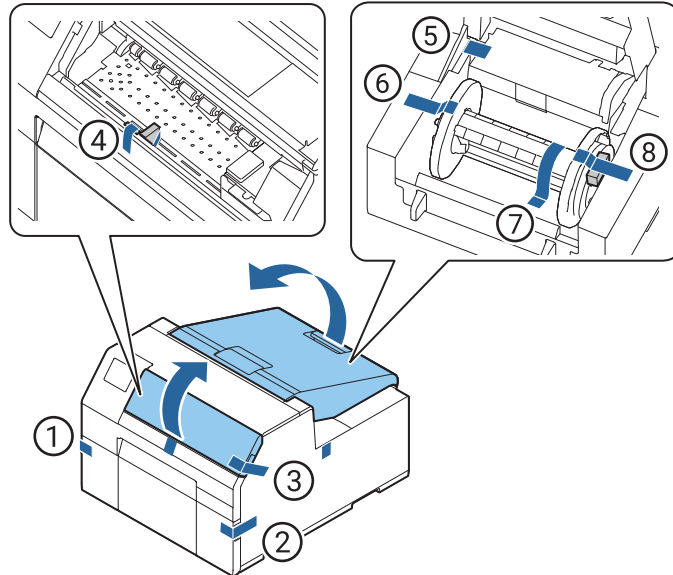
After unpacking, make sure that all the printer and the accessories are included and they have no damages. The included items are as follows.



1	Printer (ColorMax Series or ColorMaxXL Series)	2	Ink Cartridges C, M, Y, BK (For initial charging)
3	Roll paper (for initial operation check)	4	Flange and Spindle
5	Power cable	6	USB cable
7	CD-ROM	8	Manual
9	Power cable for specific regions (not included depending on country or region)		

Removing the Protective Materials

Remove the all protective materials such as pieces of tape and cushion materials. There are about eight protective materials and some of them have been attached to inside the printer.



Installing the Printer

Allow sufficient space for the printer. Make sure that the installation location meets the following requirements.

- On a level and stable surface with sufficient strength to support the weight of the printer

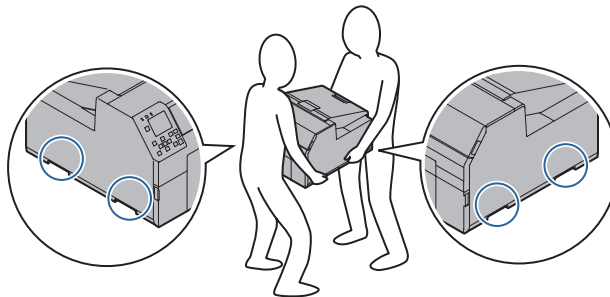
	Auto cutter model	Peeler model
ColorMax Series	Approx. 22.5 kg	Approx. 22.8 kg
ColorMaxXL Series	Approx. 25.5 kg	Approx. 26.3 kg

- On an area larger than the bottom surface of the printer.
- A location that is not subject to vibrations and impacts.
- A location where a dedicated power outlet is available.
- A location where you can load and remove paper without difficulty.
- A location with sufficient space around the printer to allow for installation of accessories, replacement of consumable products, and daily cleaning.
- A location that meets the following environmental requirements.

	Temperature	Humidity
Printing	5 to 35°C	20 to 80% RH, No condensation
Storage	-20 to 60°C	5 to 85% RH, No condensation (without being unpacked)



- Make sure to carry the printer by two or more persons.
- To lift the printer, put your hands on the indented portions on the side of the printer as shown below. If you put your hands on the other portions of the printer to lift it, the printer may get damaged.



- Do not install the peeler model at a location exposed to strong light such as direct sun rays. Doing so may cause the label peeling detector to malfunction and the printer may not print properly.

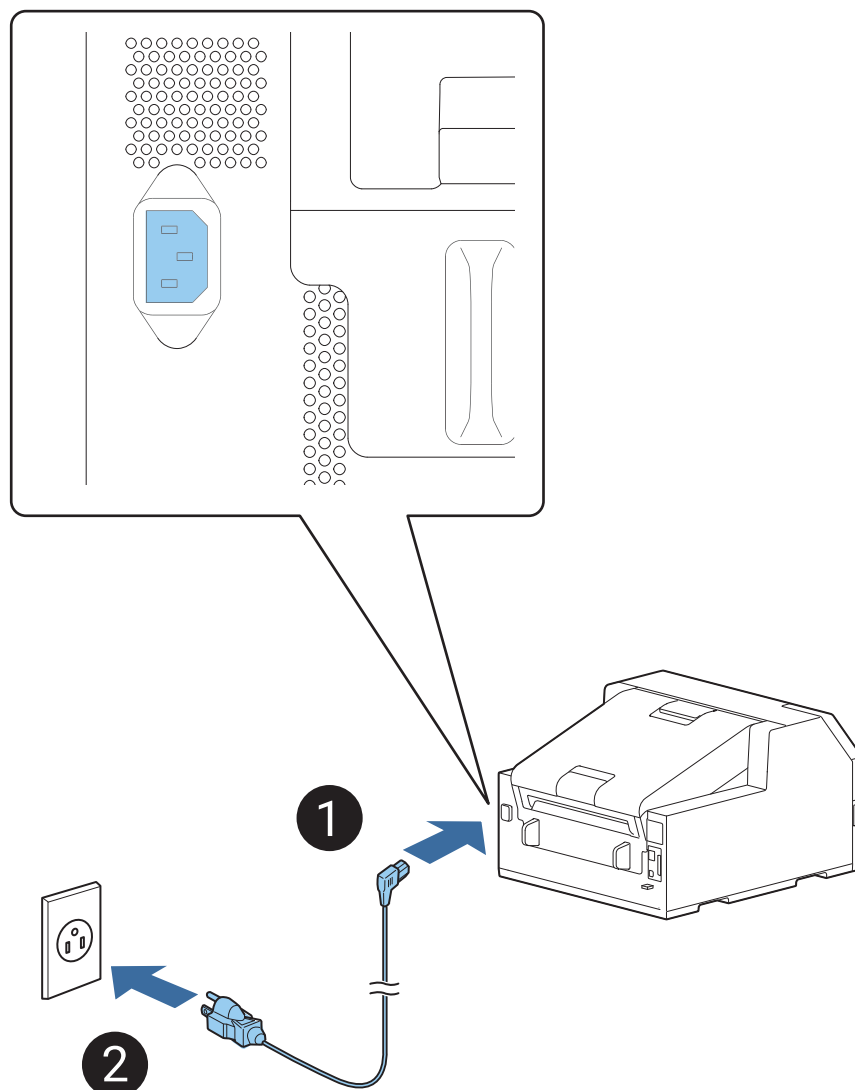
Connecting the Power Cable

Follow the procedure below to connect the power cable.





Install the printer near a wall outlet so that you can disconnect the plug from the outlet immediately in the event of an emergency.

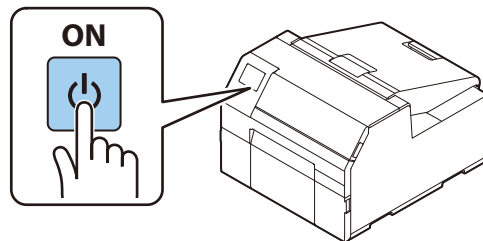
- 1** Insert the power cable firmly all the way into the power connector on the back of the printer.
- 2** Insert the power plug firmly all the way into an outlet.





Turning On/Off

Turning the Power On

Hold down the  (power) button until the  (power) LED lights up.

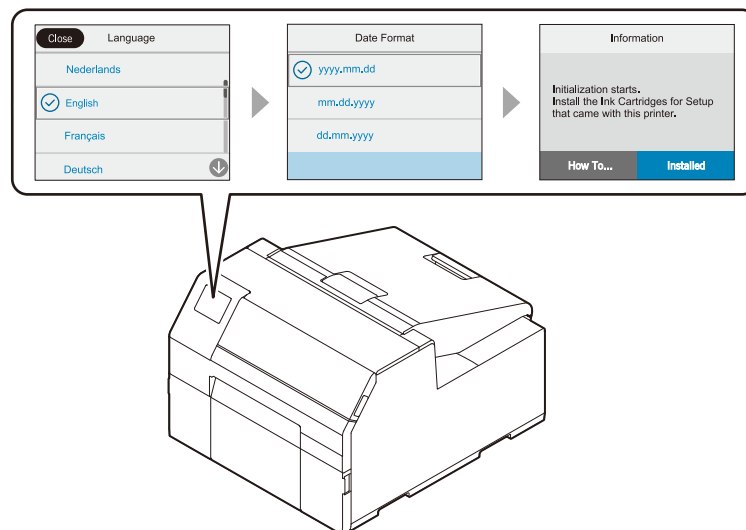


Turning the Power Off

Hold down the  (power) button until a power-off confirmation message is displayed. Then select [Yes] on the confirmation screen. The  (power) LED goes out and the printer is turned off.

Operation Panel

Follow the on-screen instructions to set language, the date and time.



Installing the Ink Cartridges

Follow the on-screen instructions to install the ink cartridges.

When you set the ink cartridges and close the cover, initial ink charging will start. When the ink charging is finished, the home screen is displayed.

It takes about 18 minutes for the initial ink charging. The time differs according to circumstances.

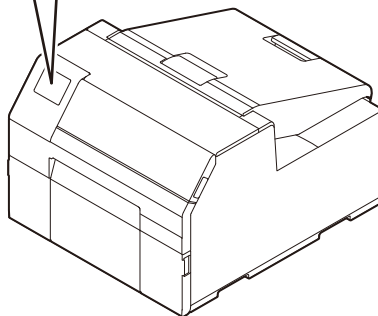
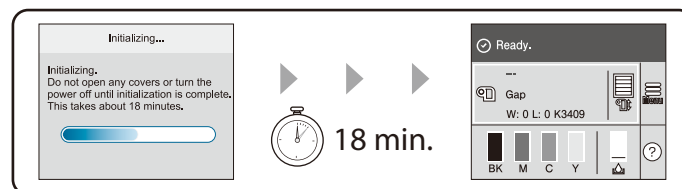
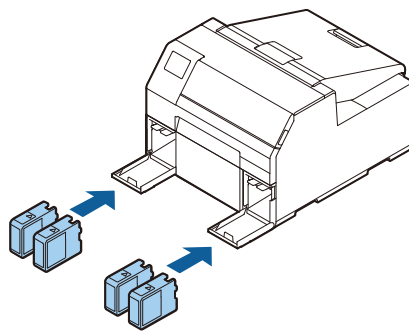


Before installing the ink cartridges, make sure to read the cautions on handling the ink cartridges.

See "[Cautions on Ink Cartridges](#)" on page 8.

Never open any cover of the printer or turn off the printer during ink charging.

Doing so will consume a large amount of ink, which may result in the need to replace the ink cartridges or the maintenance box before the completion of charging.



Replacing the Ink Cartridges

Checking Amount of Ink Remaining

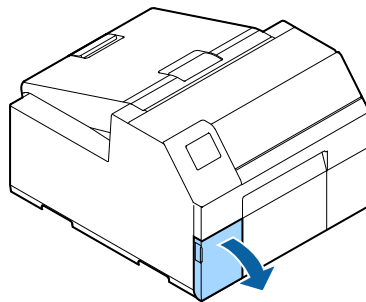
You can check ink level of each color ink cartridge on the home or an error message screen of the operation panel.

Message	Description
You need to replace Ink Cartridge(s).	To maintain the quality of the print head, the printer stops printing before ink cartridges are completely expended. Replace the ink cartridge with new one.

How to Replace the Ink Cartridges

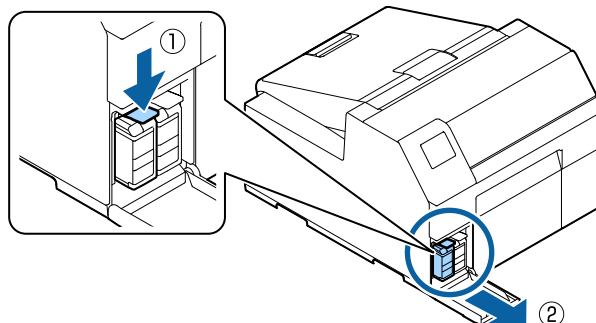
The procedure below is for replacing the BK cartridge. Follow the same procedure for replacing the other color cartridges.

1 Open the left ink cartridge cover.

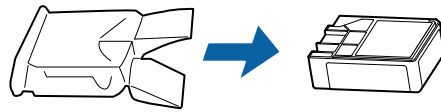


For replacing cyan or yellow cartridge, open the right ink cartridge cover.

2 Press the lever down to remove the used ink cartridge.

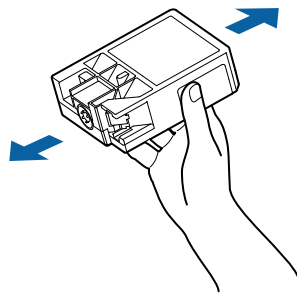


3 Open the bag and take out the new ink cartridge.

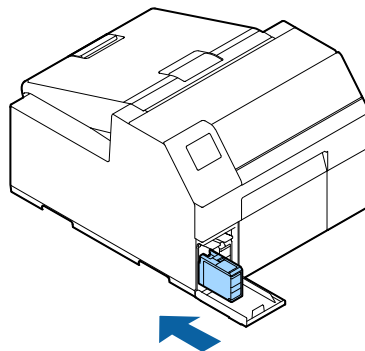


4 Shake the ink cartridge.

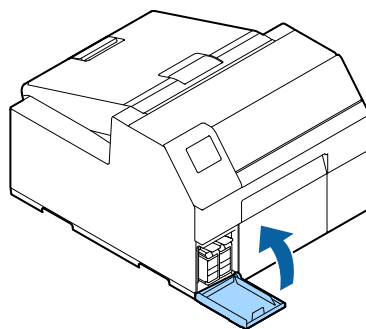
As shown in the figure below, shake the cartridge horizontally. Move the cartridge by about 5 cm to both directions, and repeat it about 15 times for about 5 seconds.



5 Install the ink cartridge in the slot.



6 Close the ink cartridge cover.



Installing the Maintenance Box

The printer comes with the maintenance box installed.



Before handling the maintenance box, make sure to read the cautions on handling the maintenance box.
See "[Cautions on the Maintenance Box](#)" on page 9.

Replacing the Maintenance Box

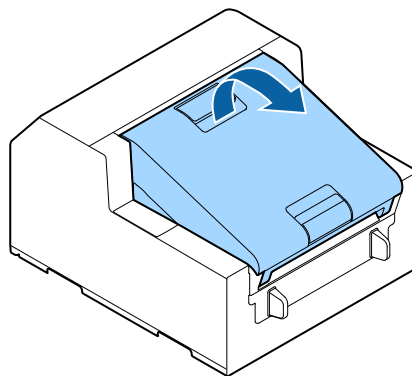
Checking the Amount of Empty Space in the Maintenance Box

You can check the remaining capacity of the maintenance box on the home or an error message screen of the operation panel.

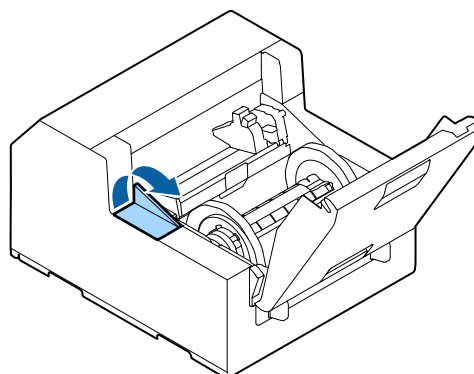
Message	Description
The Maintenance Box is at the end of its service life. You need to replace it.	Replace the maintenance box with a new one.

How to Replace the Maintenance Box

- 1 Open the paper cover.

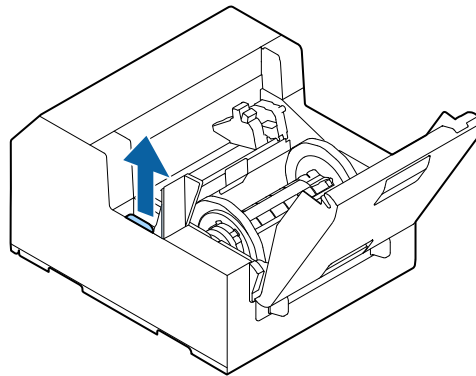
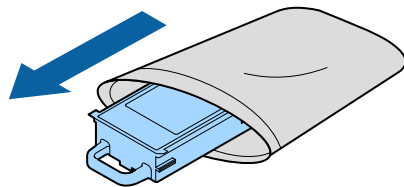
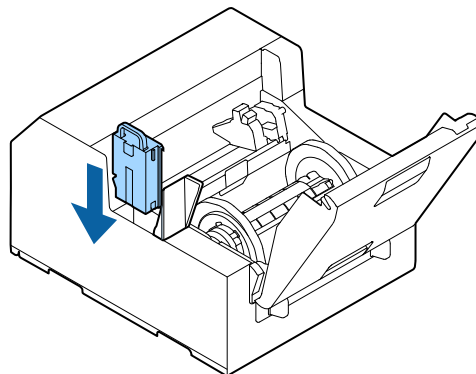
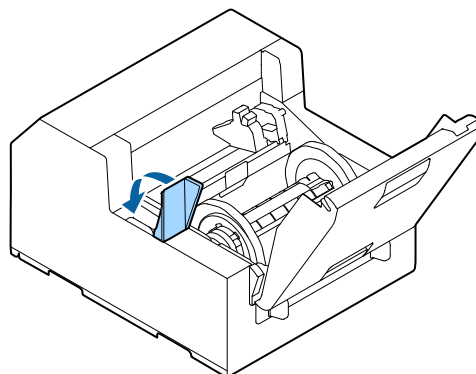


- 2 Open the maintenance box cover.



3 Take out the maintenance box.

When disposing of the used maintenance box, put it in a plastic bag that came with the new maintenance box.

**4 Take out a new maintenance box from the bag.****5 Install the new maintenance box.****6 Close the maintenance box cover.**

Installing the Printer Driver and Connecting to a Computer

There are the following two methods to install the printer driver on a computer and connect the printer to the computer.

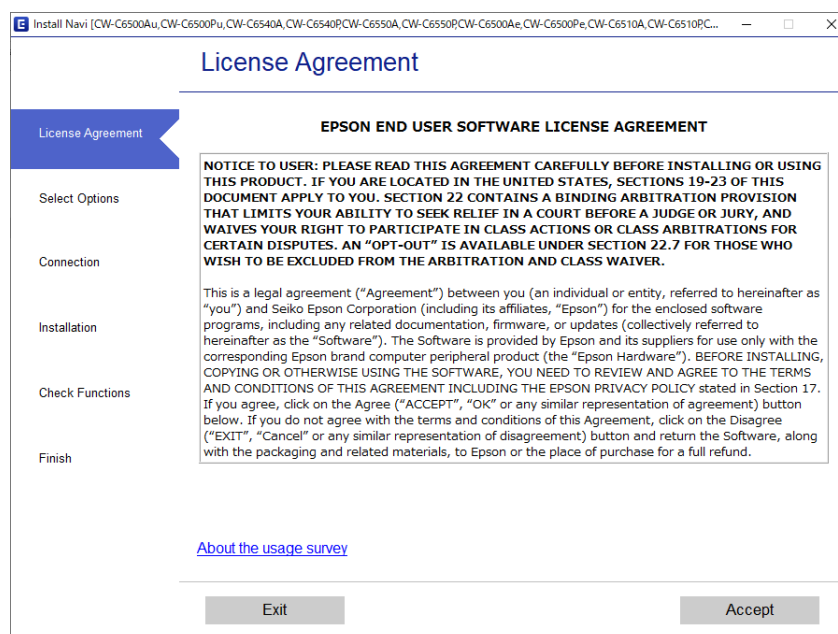
- Setup using Install Navi
- Setup without using Install Navi

Setup using Install Navi

Just by following the on-screen instructions of Install Navi, you can install the printer driver and connect the printer to the computer.

Follow the procedure below to set up using Install Navi.

- 1 Turn on the computer.**
- 2 Check that the printer is powered on.**
- 3 Insert the included CD-ROM into the drive of the computer. Install Navi will start automatically.**
If Install Navi does not start automatically, double-click InstallNavi.exe.
- 4 The screen below appears when Install Navi starts. Read and accept the software licensing agreement, and then click [Next]. For the subsequent steps, follow the on-screen instructions.**



Install Navi will guide you to install the printer driver, PrinterSettings, and other software. The setup can be completed even if you skip the installation of software. In that case, you can install the software later.

Installing the printer driver and connecting to a computer are now complete.

Setup without using Install Navi

How to Get the Software

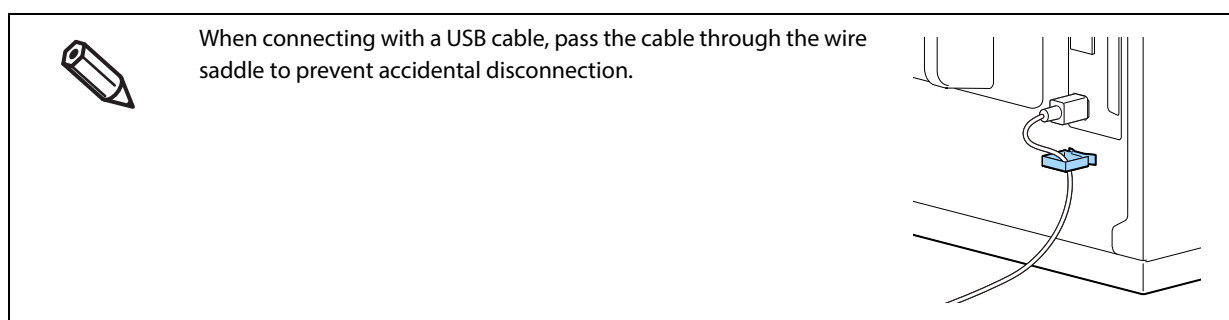
You can get the software from the following website.

<https://www.altec.be/labelprinters/colormax/>

<https://www.altec.be/labelprinters/colormaxXL/>

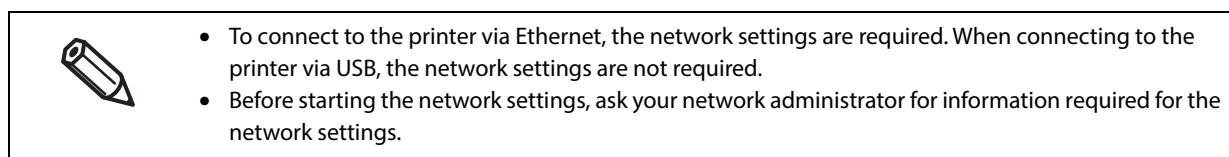
How to Connect to a Computer

Connect the interface cable to be used to the connector on the back of the printer.



How to Configure the Network Settings

Follow the procedure below to set up the IP address of the printer.



- 1** Turn the printer on.
- 2** Select [Menu] and then press the [OK] button.
- 3** Select [General Settings] and then press the [OK] button.
- 4** Select [Network Settings] and then press the [OK] button.
- 5** Select [Advanced] and then press the [OK] button.
- 6** Select [TCP/IP] and then press the [OK] button.
- 7** Select [Obtain IP Address] and then select [Auto] or [Manual] using the [OK] button.
When you select [Auto], the network setting is complete.
When you select [Manual], proceed to step 8.

- 8 Enter the IP address and the subnet mask.**
Select a setting to change and then press the [OK] button to enter the information.
- 9 Select [Start Setup] and then press the [OK] button.**

The network setting is now complete.

Media Settings

Configure the media source to use, and type, shape, detecting method of media to use.

- When using the Windows printer driver
See ["Printer Driver for Windows" on page 66.](#)
- When Not using the Windows printer driver
See ["PrinterSetting" on page 123.](#)
- When configuring the settings without using a computer
See ["Operation Panel Settings" on page 155.](#)



- If the settings on the printer (settable using the operation panel, PrinterSettings, or WebConfig) differ from the printer driver settings, printing is performed by applying the printer driver settings.
- For media that can be used with this product, refer to ["Paper Specifications" on page 225.](#)

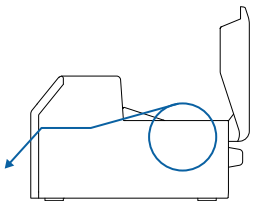
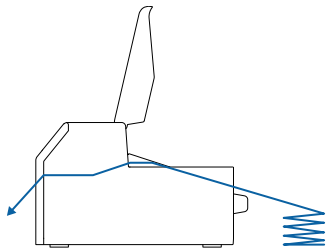
Loading Paper

This section describes how to load and replace paper. As shown below, the procedure of replacing paper differs depending on the size and whether paper has been/is going to be supplied from inside or outside.

Videos that show the procedure are also available.

Click the URL below to view the videos.

https://support.epson.net/p_doc/790/

<p>Supply from Inside (Internal) Paper is supplied from inside the printer. Set roll paper attached to the spindle into the printer.</p> 	<p>Supply from Outside (Rear Feed) Paper is supplied from outside the printer. Place roll paper or fanfold paper behind the printer.</p> 
---	--



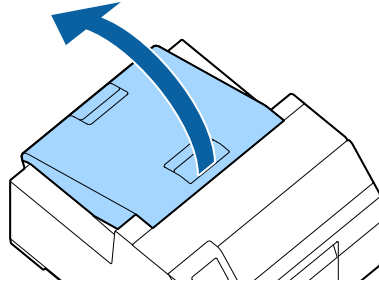
When replacing paper with a different shape, form, or type of paper, change the paper settings either from the operation panel or on the printer driver before loading the paper. ("Operation Panel Settings" on page 155, "Paper Source and Paper Detection Settings" on page 68, "User-Defined Paper" on page 70)

Models	Supply from Inside (Internal)	Supply from Outside (Rear Feed)
Auto cutter model	<ul style="list-style-type: none"> • Paper loading: Page 46 • Paper removal: Page 59 • Paper ejection at paper end: Page 62 	<ul style="list-style-type: none"> • Paper loading: Page 50 • Paper removal: Page 59 • Paper ejection at paper end: Page 62
Peeler model	<ul style="list-style-type: none"> • Paper loading: Page 54 • Paper removal: Page 60 • Paper ejection at paper end: Page 63 	

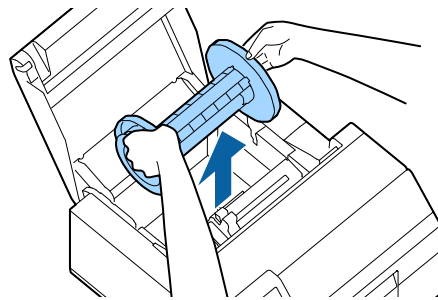
How to Load Paper (Auto Cutter Model - Supply from Inside)

- 1 Turn on the printer, and then check that [Internal] is selected as the [Media Source] setting on the operation panel.
("Operation Panel Settings" on page 155)

- 2 Open the paper cover.

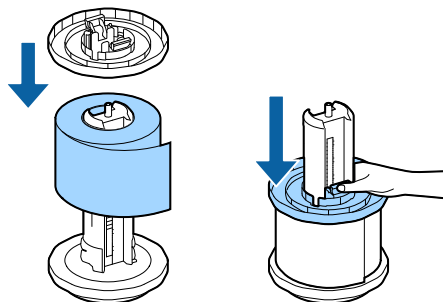


- 3 Remove the spindle from the printer.
As shown in the figure, hold the spindle and flange with both hands, and remove them.

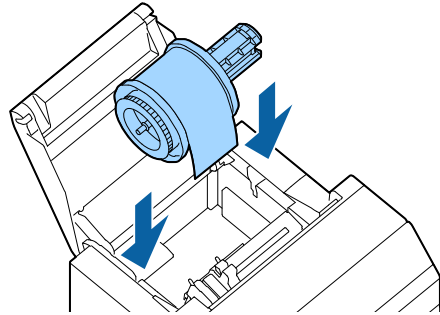


- 4 Load the roll paper on the spindle and fix it with the flange.

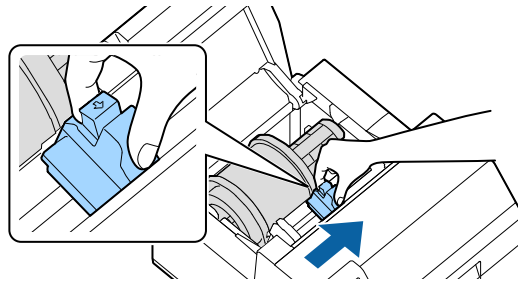
- To move the flange, squeeze the two levers.
- When loading the roll paper on the spindle, take note of the winding direction. The correct winding direction is marked on the spindle.
- Fix the flange and roll paper so that there is no gap in between.



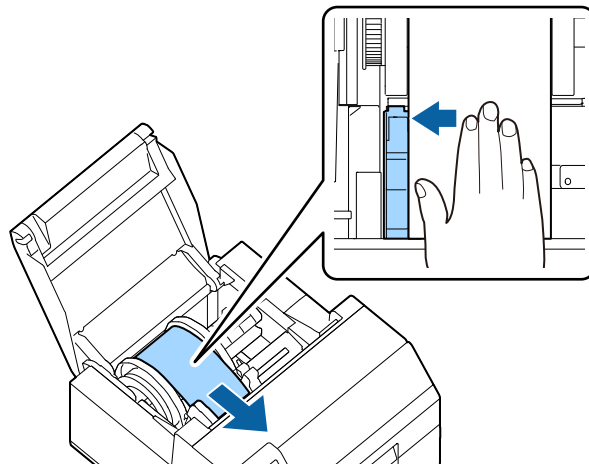
- 5 Hold the spindle with both hands, and set it in the printer.**
Install the spindle so that both ends of the spindle fit into the holders inside the printer.



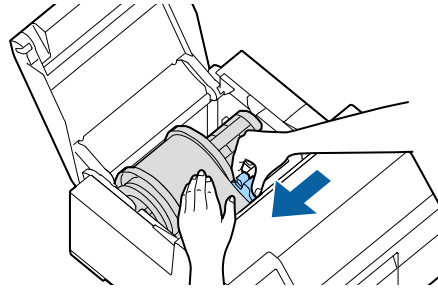
- 6 Slide the movable edge guide to the right side.**
Squeeze the blue lever to move the edge guide.


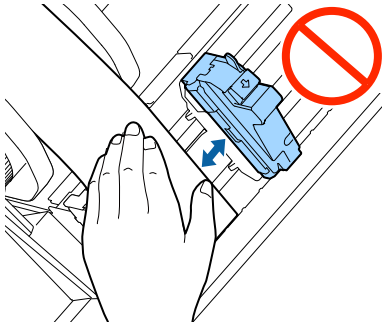
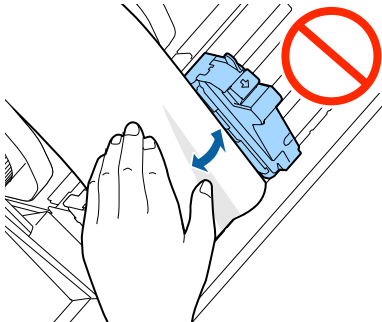


- 7 Pull the paper along the left edge guide.**

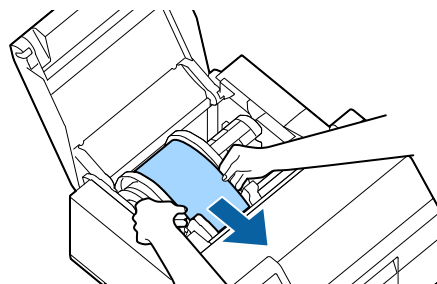


- 8** Place your hand on the paper to flatten it, and slide the movable edge guide against the paper.

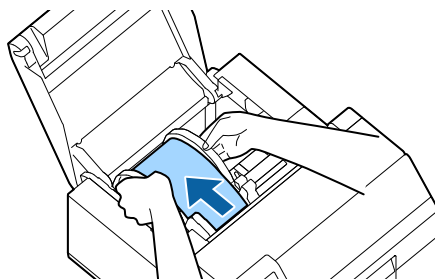


<p> CAUTION</p>	<p>If the movable edge guide is not properly slid against the paper, print position may become incorrect or a paper jam may occur. Make sure to follow the guidelines below.</p>	
	<ul style="list-style-type: none"> • There should be no gap between the guide and the paper edge. 	<ul style="list-style-type: none"> • Do not slide the guide against the paper too tightly. 

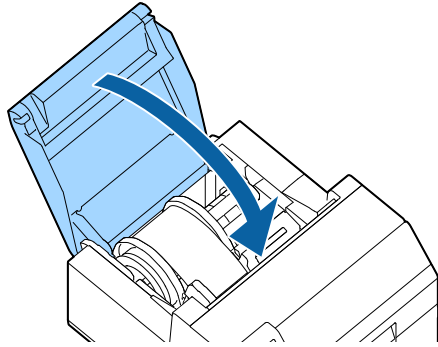
- 9** Insert the paper into the paper feed slot until paper feeding starts automatically.
Do not load backing paper that has no labels on it. The paper may not be detected and not be fed automatically.



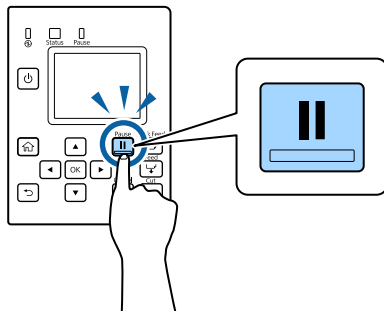
- 10** Rotate the spindle to remove looseness in the paper.



11 Close the paper cover.



12 Press the [Pause] button.

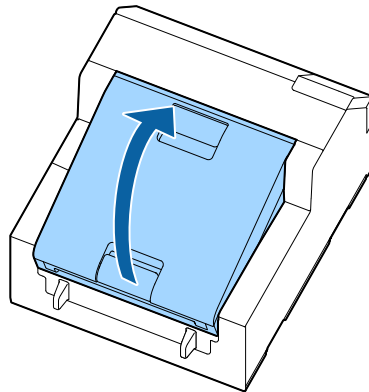


Loading paper (auto cutter model - supply from inside) is now completed.

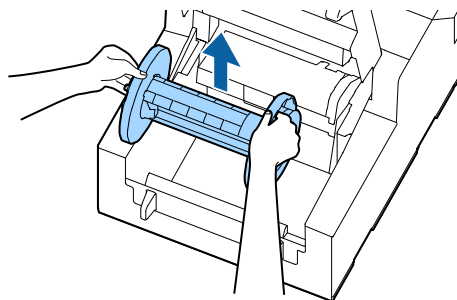
How to Load Paper (Auto Cutter Model - Supply from Outside)

- 1 Turn on the printer, and then check that [Rear Feed] is selected as the [Media Source] setting on the operation panel.**
(["Operation Panel Settings" on page 155](#))

- 2 Open the paper cover.**

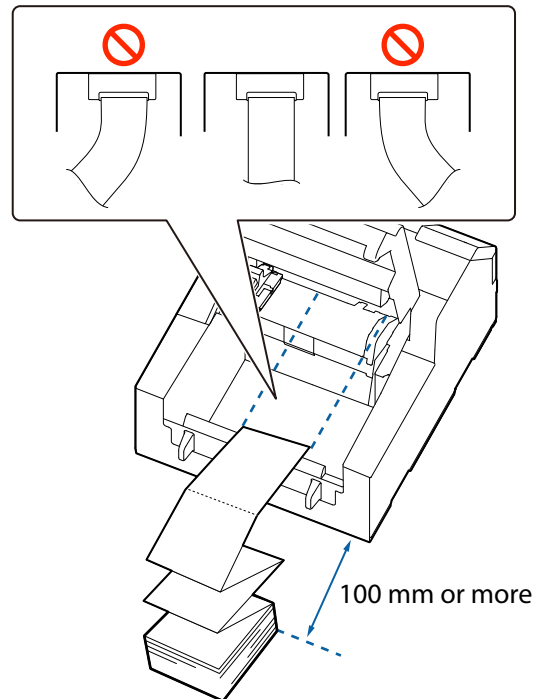


- 3 Remove the spindle, if present.**
As shown in the figure, hold the spindle and flange with both hands, and remove them.



4 Place the fanfold paper behind the printer.

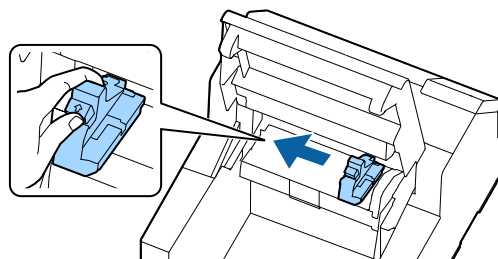
- Place the fanfold paper at least 100 mm away from the printer.
- Make sure the paper is vertical in relation to the paper feed slot.



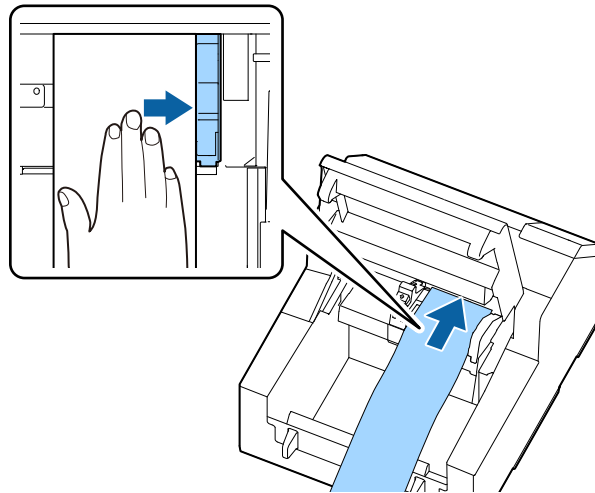
 CAUTION	<p>Make sure not to let the fanfold paper to curl near the printer. Doing so will deform the paper resulting in a paper jam or a print quality problem.</p>

5 Slide the movable edge guide to the left side.

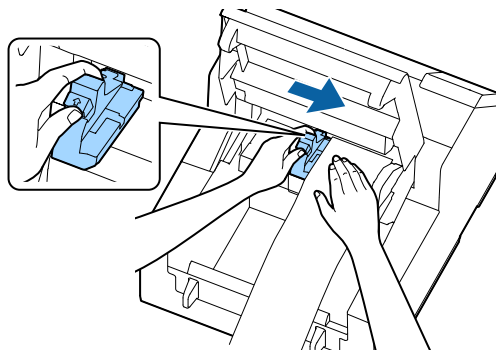
Squeeze the blue lever to move the edge guide.


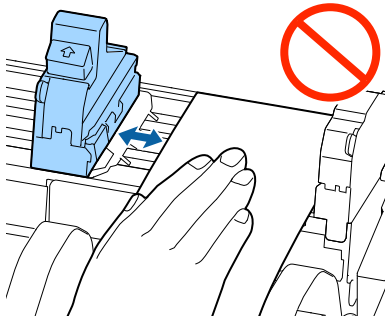
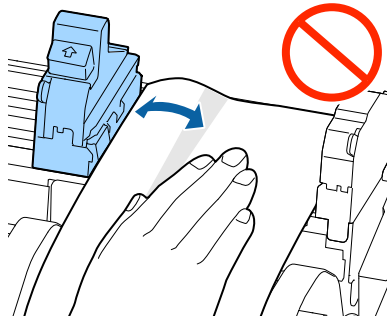


6 Pull the paper along the right edge guide.

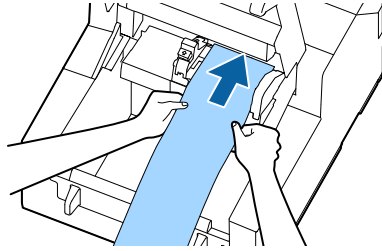


7 Place your hand on the paper to flatten it, and slide the movable edge guide against the paper.

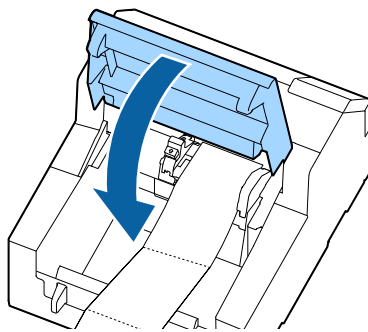


 CAUTION	<p>If the movable edge guide is not properly slid against the paper, print position may become incorrect or a paper jam may occur. Make sure to follow the guidelines below.</p>	
	<ul style="list-style-type: none"> • There should be no gap between the guide and the paper edge. 	<ul style="list-style-type: none"> • Do not slide the guide against the paper too tightly. 

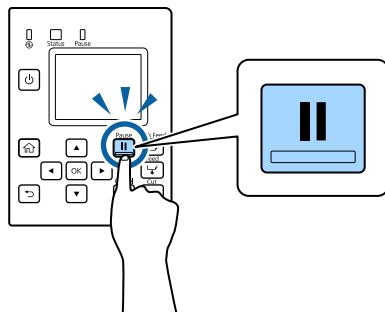
- 8** Insert the paper into the paper feed slot until paper feeding starts automatically.
Do not load backing paper that has no labels on it. The paper may not be detected and not be fed automatically.



- 9** Close the paper cover.



- 10** Press the [Pause] button.

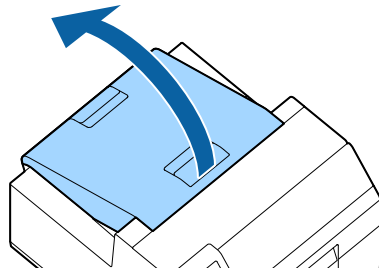


Loading paper (auto cutter model - supply from outside) is now completed.

How to Load Paper (Peeler Model - Supply from Inside)

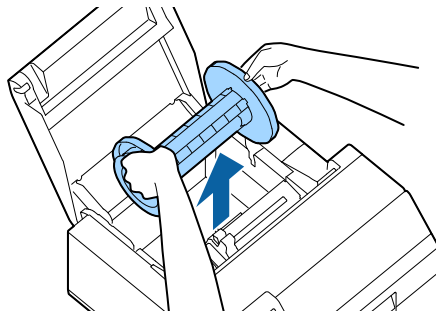
- 1 Turn on the printer, and then check that [Internal] is selected as the [Media Source] setting on the operation panel.
("Operation Panel Settings" on page 155)

- 2 Open the paper cover



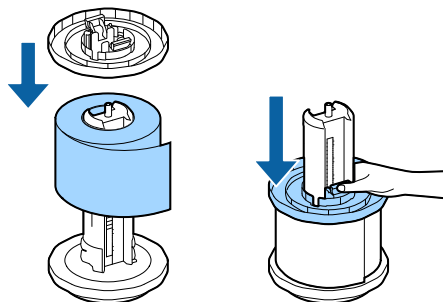
- 3 Remove the spindle from the printer.

As shown in the figure, hold the spindle and flange with both hands, and remove them.

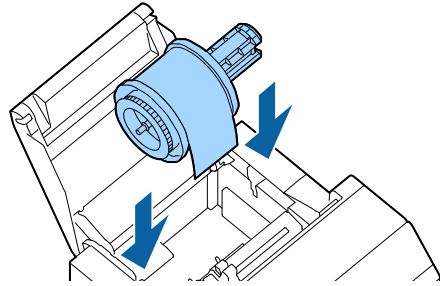


- 4 Load the roll paper on the spindle and fix it with the flange.

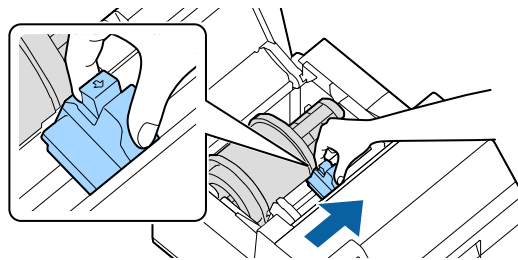
- To move the flange, squeeze the two levers.
- When loading the roll paper on the spindle, take note of the winding direction. The correct winding direction is marked on the spindle.
- Fix the flange and roll paper so that there is no gap in between.



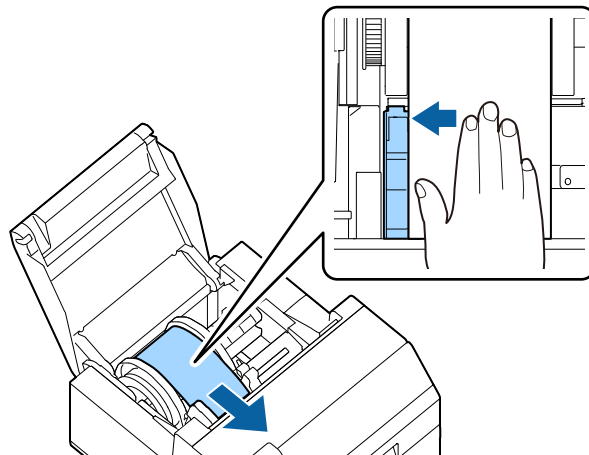
- 5 Hold the spindle with both hands, and set it in the printer.**
Install the spindle so that both ends of the spindle fit into the holders inside the printer.



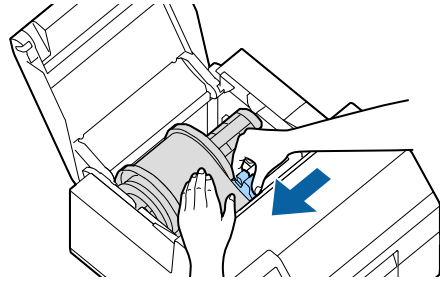
- 6 Slide the movable edge guide to the right side.**
Squeeze the blue lever to move the edge guide.


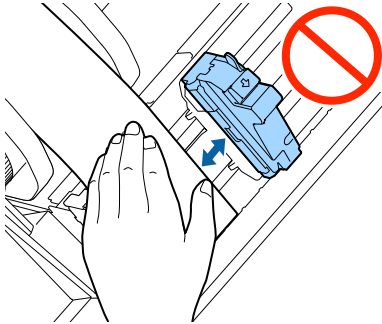
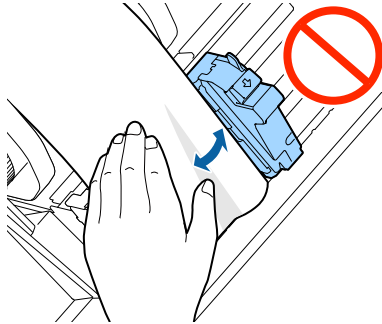


- 7 Pull the paper along the left edge guide.**

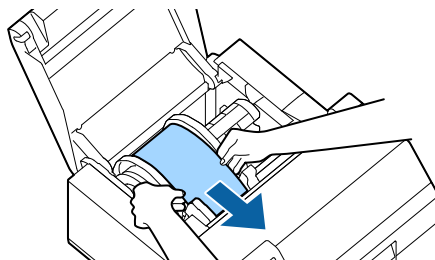


- 8** Place your hand on the paper to flatten it, and slide the movable edge guide against the paper.

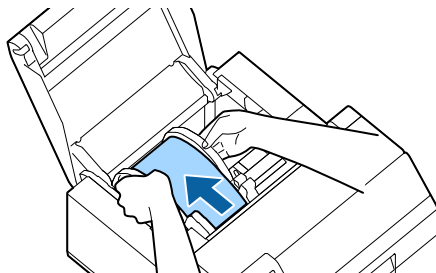


 CAUTION	<p>If the movable edge guide is not properly slid against the paper, print position may become incorrect or a paper jam may occur. Make sure to follow the guidelines below.</p>	
	<ul style="list-style-type: none"> • There should be no gap between the guide and the paper edge. 	<ul style="list-style-type: none"> • Do not slide the guide against the paper too tightly. 

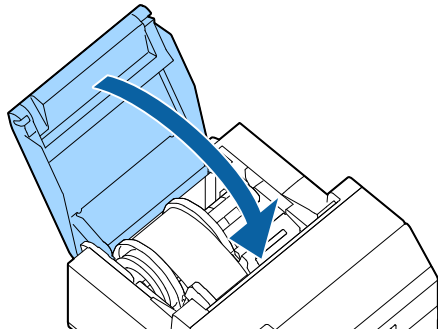
- 9** Insert the paper into the paper feed slot until paper feeding starts automatically.
Do not load backing paper that has no labels on it. The paper may not be detected and not be fed automatically.



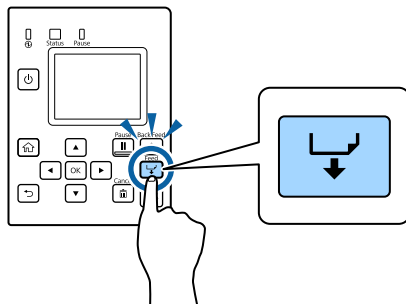
- 10** Rotate the spindle to remove looseness in the paper.



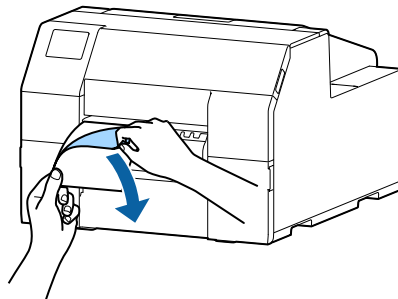
11 Close the paper cover.



12 Hold down the [Feed] button until the leading edge of paper touches the table on which the printer is installed.

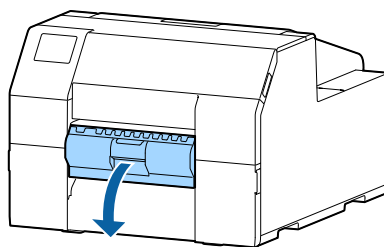


13 Remove labels from the ejected paper.

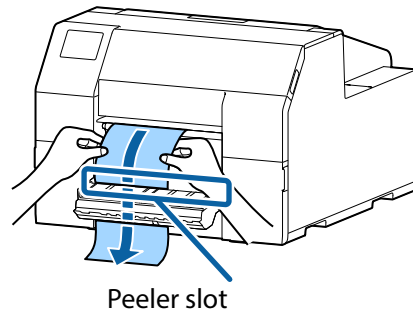


14 Open the peeler cover.

Do not touch the manual cutter at the bottom of the peeler cover with your hand. Doing so may cause injury. ("[Caution Label](#)" on page 10)

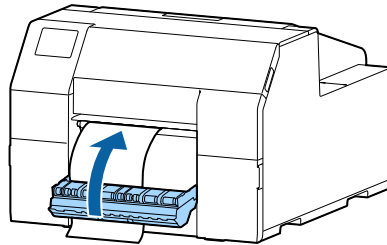


15 Pass the paper through the peeler slot.

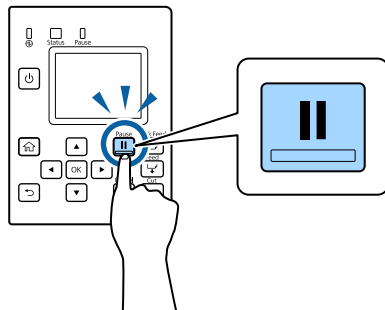


16 Close the peeler cover.

If the paper is loose, pull the leading edge of paper to remove the looseness and then close the peeler cover.



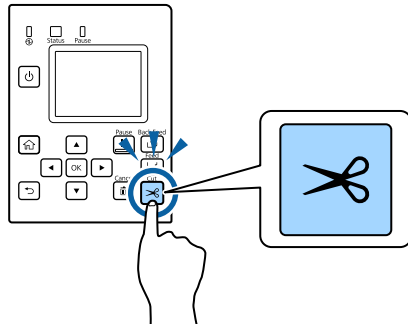
17 Press the [Pause] button.



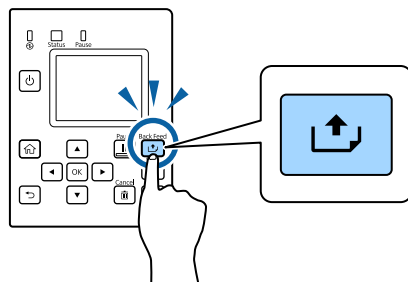
Loading paper (peeler model - supply from inside) is now completed.

How to Remove Paper (For the Auto Cutter Model)

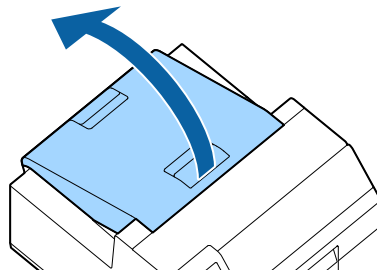
- 1 Check that the printer has been turned on.
- 2 Press the [Cut] button, and cut off the ejected labels.



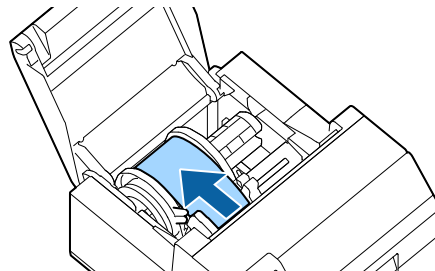
- 3 Press the [Back Feed] button to feed the paper backward.
The paper can now be pulled out from inside the printer.



- 4 Open the paper cover.



- 5 Slide the movable edge guide away from the paper, and remove the paper.



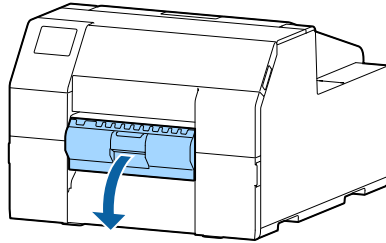
Removing the paper is now completed.

To load paper, see the following pages.

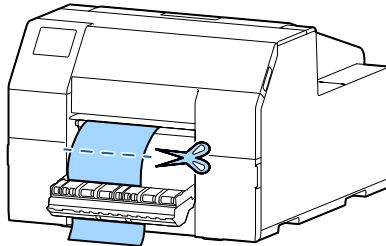
"How to Load Paper (Auto Cutter Model - Supply from Inside)" on page 46, "How to Load Paper (Auto Cutter Model - Supply from Outside)" on page 50

How to Remove Paper (For the Peeler Model)

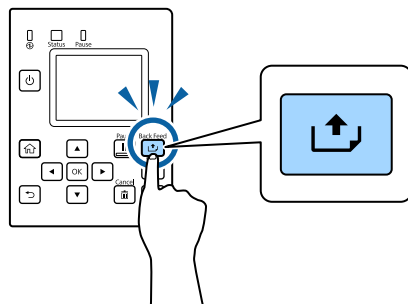
- 1 Check that the printer has been turned on.
- 2 Open the peeler cover.



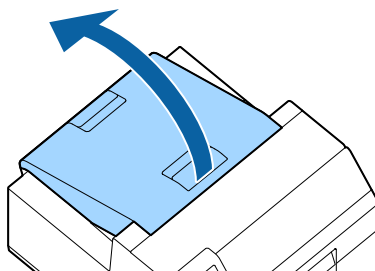
- 3 Cut the backing paper near the paper ejection slot.



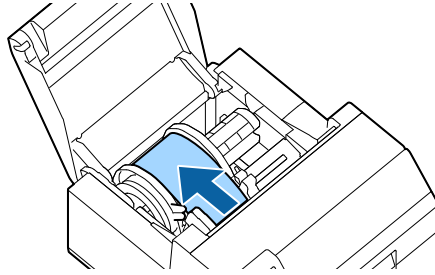
- 4 Press the [Back Feed] button to feed the paper backward.
The paper can now be pulled out from inside the printer.



- 5 Open the paper cover.



6 Slide the movable edge guide away from the paper, and remove the paper.



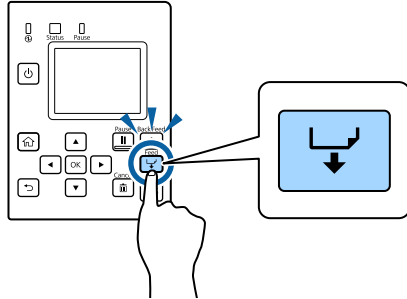
Removing the paper is now completed.

To load paper, see the following pages.

["How to Load Paper \(Peeler Model - Supply from Inside\)" on page 54](#)

How to Eject Paper at Paper End (For the Auto Cutter Model)

- 1 Hold down the Feed button until the paper is completely ejected.



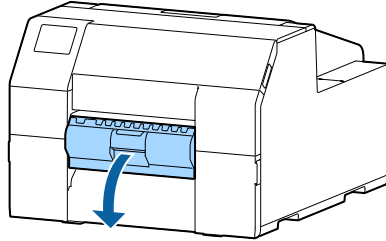
Ejecting paper at paper end is now completed.

To load paper, see the following pages.

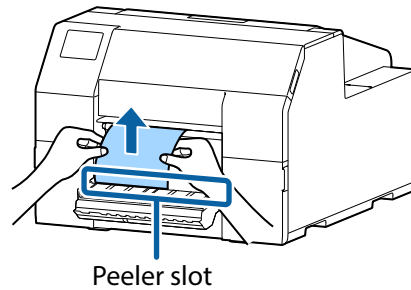
["How to Load Paper \(Auto Cutter Model - Supply from Inside\)" on page 46](#), ["How to Load Paper \(Auto Cutter Model - Supply from Outside\)" on page 50](#)

How to Eject Paper at Paper End (For the Peeler Model)

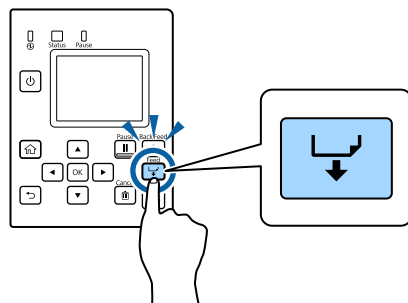
- 1 Open the peeler cover.



- 2 Remove the paper from the peeler slot.



- 3 Hold down the Feed button until the paper is completely ejected.



Ejecting paper at paper end is now completed.

To load paper, see the following pages.

["How to Load Paper \(Peeler Model - Supply from Inside\)" on page 54](#)

Test Print

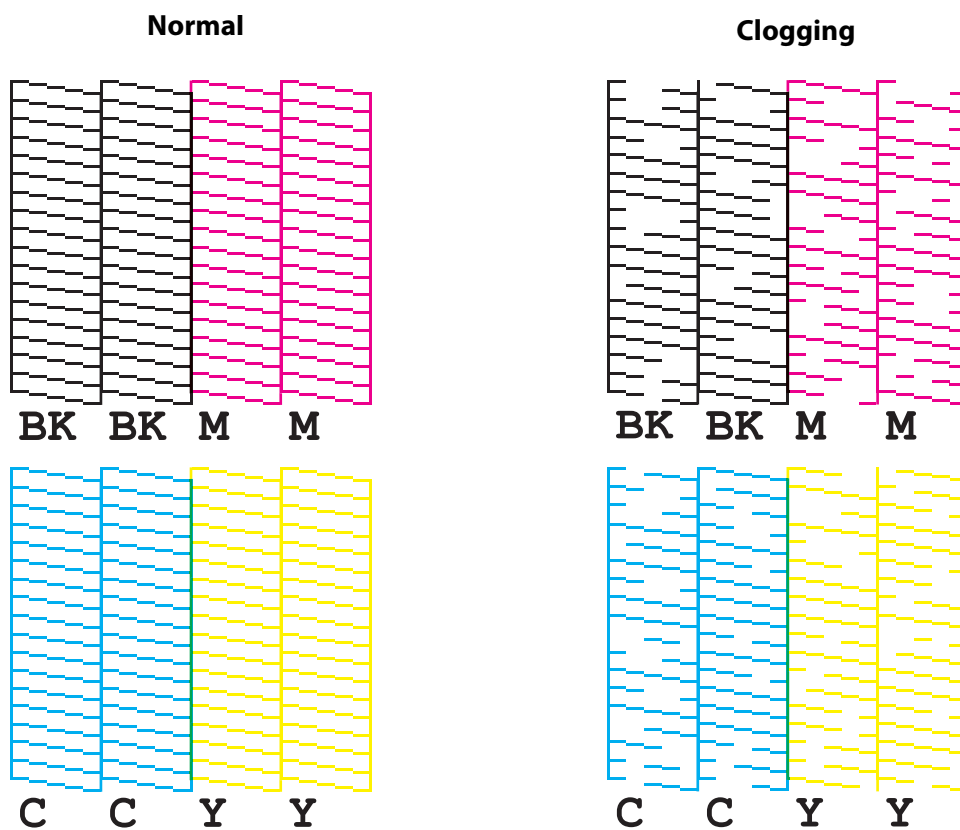
You can check whether the printer operates normally or not by printing a nozzle check patterns.

Follow the procedure below to print the nozzle check patterns. The nozzle check patterns allow you to check print nozzles for clogging.

- 1** Turn the printer on.
- 2** Select [Menu] and then press the [OK] button.
- 3** Select [Maintenance].
- 4** Select [Print Head Nozzle Check].
- 5** Select [Print].
The nozzle check patterns are printed.

6 Checking the Nozzle Check Patterns

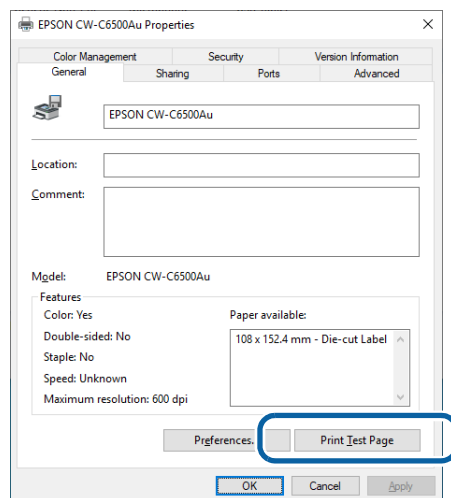
If the pattern is printed normally, all the lines are printed properly as shown in the left figure below. Nozzles are clogging if there are missing lines as shown in the right figure below. Run the print head cleaning.



Test Print using the Printer Driver

If you have already installed the printer driver, you can do a test print using the printer driver. Follow the procedure below to do the test print.

- 1 Open [Devices and Printers].
- 2 Right-click the icon of the printer, and then click [Printer properties].
- 3 The Printer properties screen appears. Click [Print Test Page] on the screen.



If the [Media Detect] setting has been set to [Gap], the test page is not printed from the first label. However, the auto cutter model can print from the first label if you do the settings described in the link below. ("[Printing from the First Label \(Auto cutter model only\)](#)" on page 175)

Handling

This chapter provides basic information necessary for handling the printer.

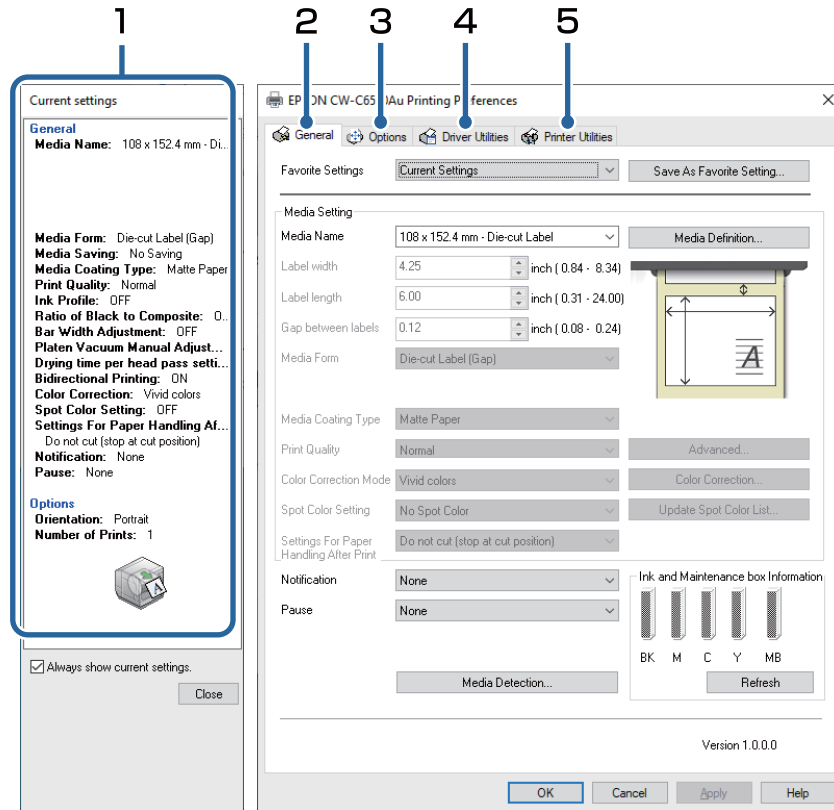
Printer Driver for Windows

This chapter describes how to operate the printer driver for Windows.

The printer driver is software to control the printer in accordance with the print instructions of application software. Setting the print settings in the printer driver screen enables you to obtain the best print results. Furthermore, you can also use the utilities to check the printer status and perform maintenance.

Printer Driver Screen Configuration

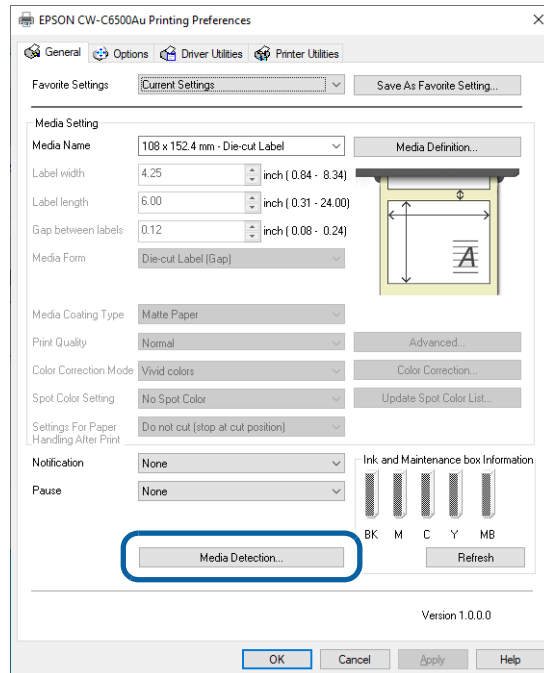
The printer driver is equipped with a help function. Right-click an item and then click Help to display an explanation on the item.



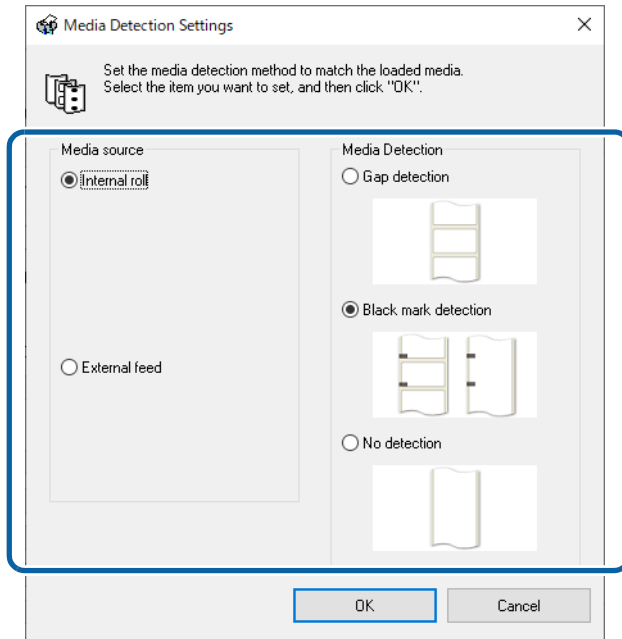
1	Current Settings pane Displays a summary of current settings.
2	General tab Lets you set media (paper) size, media form, and other basic print settings.
3	Options tab Print orientation and the number of copies can be set.
4	Driver Utilities tab Lets you configure various advanced settings.
5	Printer Utilities tab Lets you run printer maintenance functions such as print head cleaning or nozzle check, and start PrinterSetting.

Paper Source and Paper Detection Settings

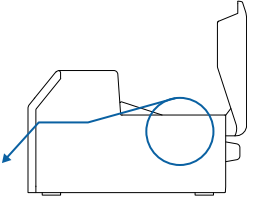
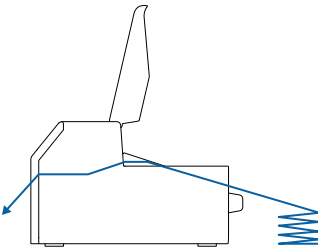
- 1 Open the printer driver window.
- 2 Click [Media Detection...] on the General tab.



3 Make the following settings to match them with the paper you use.



- Media Source: Select how to supply paper to the printer.

Setting item	Description
Internal roll (supply from Inside) 	Paper is supplied from inside the printer. Set roll paper attached to the spindle into the printer.
External feed (supply from outside) 	Paper is supplied from outside the printer. Place roll paper or fanfold paper behind the printer.

- Media detection: Select how to detect print positions.

Setting item	Description
Gap detection	The print position is detected based on the gaps between labels.
Black mark detection	The print position is detected based on the black marks printed on the back or backing paper of the paper.
No detection	Print position detection using gaps or black marks is not performed.

- 4 Click [OK].**
Paper source and paper detection settings are now complete.

User-Defined Paper

The size, form, type, and other settings of frequently used paper can be registered to the printer driver as a media definition. This is convenient because you will not need to set the paper settings of the driver when printing from an application if you register a media definition in advance.

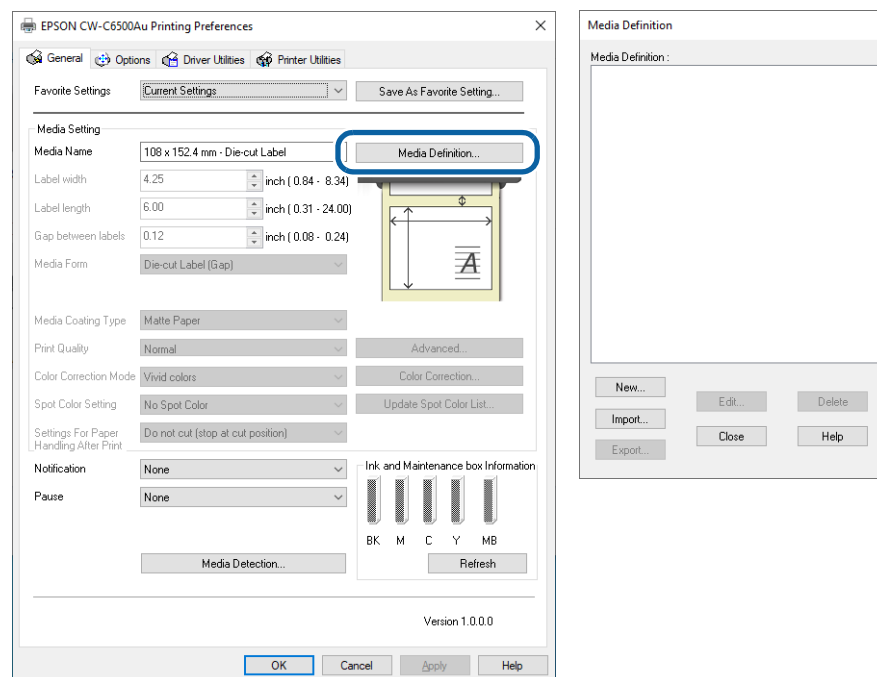


If you wish to set the paper size and other settings every time without registering a media definition, select [Custom] from the [Media Name] pull-down menu on the [General] tab. The various settings on the [General] tab will become available so that you can set the paper size and other settings.

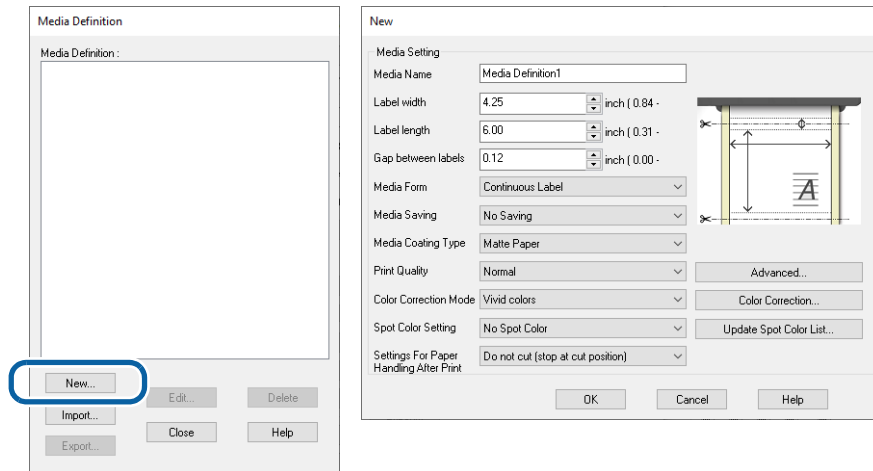
Registering New

Register a new media definition by following the steps below.

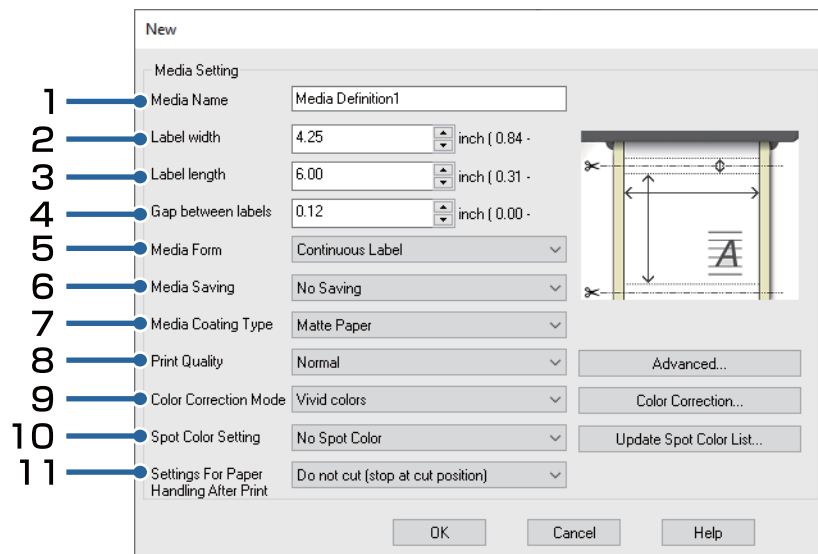
- 1 Open the printer driver window.**
- 2 Click the [Media Definition] button on the [General] tab.**
The Media Definition screen appears.



- 3** Click the [New] button.
The New screen appears.



- 4** Make the following settings to match them with the paper you use.



1 **Media Name**

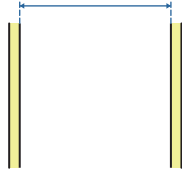
Enter the name of the media definition.

This is the name displayed when you select a paper size from an application.

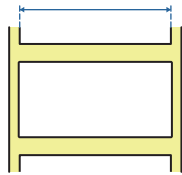
2 Label width

Enter the width of the label.

- Continuous label: label width excluding the backing paper



- Die-cut label: Label width excluding backing paper

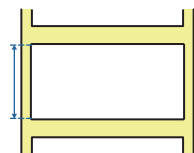
**3 Label length**

Enter the length of the label.

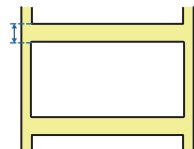
- Continuous label: Length of the print range (length of one page)



- Die-cut label: Label length excluding backing paper

**4 Gap between labels (for die-cut label only)**

Enter the gap between labels.

**5 Media Form**

Select the form of the paper. ("[Paper Specifications](#)" on page 225)

6 Media Saving (for continuous label only)

Select a media saving setting. The [Media Saving] function eliminates margins from one-page print data to suppress wasting paper.



IMPORTANT

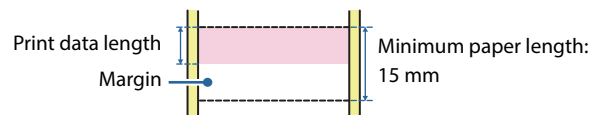
When the [Media Saving] function is enabled, printing a barcode using the barcode font of the printer driver is disabled.



- No Saving: Paper is advanced before and after printing causing top and bottom margins on the print-out.
- Eliminate Lower Margin: Paper is not advanced after printing to eliminate bottom margin from the printout.
- Eliminate Lower and Upper Margin: Paper is not advanced before and after printing to eliminate both top and bottom margins from the printout.



If you set the printer to cut paper in the [Settings for Paper Handling After Print] setting, paper length of at least 15 mm is required. When the length of print data is less than 15 mm, the margins are not eliminated even if you have set to [Eliminate Lower Margin] or [Eliminate Lower And Upper Margin].



If your print data includes labels of various sizes, paper length to print each of the labels can be optimized by setting the largest label size as the label (page) size, and using the [Media Saving] function.

7 Media Type

Select the paper type. ("[Paper Specifications](#)" on page 225)

8 Print Quality

Select the print quality.

When [Media Type] is [Matte Paper] or [Synthetic]

- High Speed: 300 x 600 dpi
- Speed: 600 x 600 dpi
- Standard: 600 x 600 dpi (initial setting)
- Quality: 600 x 1200 dpi

When [Media Type] is [Glossy Paper], [Glossy Film], or [High Glossy Paper]

- Standard: 600 x 600 dpi
- Quality: 600 x 1200 dpi (Initial setting)
- Max Quality: 1200 x 1200 dpi



If you change the [Media Type] setting, the [Print Quality] setting will automatically be set to the initial setting suitable for the selected paper type.

- Click the [Advanced] button to configure more detailed print quality settings.

9 Color Correction Mode

Configure color correction settings. For more details about the color correction, see "[Color Correction](#)" on page 170.

- Vivid colors: click [Color Correction] to customize the color settings.
- ICM: click [Color Correction] to select an ICC profile.
- No composite: no color correction is applied.

10 Spot Color Setting

Select a spot color setting file. For more details about the spot color setting, see "[Spot Color Settings](#)" on page 164.

11 Settings For Paper Handling After Print

For the Auto Cutter Model

- Cut (after printing last label)
- Cut (at specified label)
- Cut (after last page of collate page)
- Do not cut (stop at cut position) (Initial setting)
- Do not cut (stop at peel position)
- Do not cut (stop at the print end position)

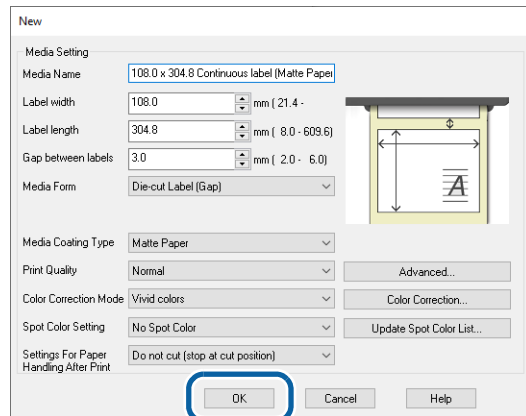
For the Peeler Model

- Manual apply (Initial setting)
- Auto apply
- Rewind

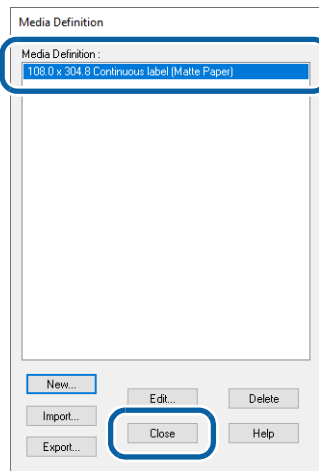
**IMPORTANT**

If you have set to [Cut (after last page of collate page)] and if the printer stops due to a paper jam or other reason while the auto cutter is operating, it is impossible to resume printing.

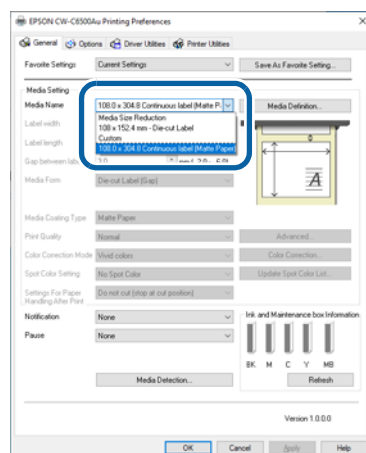
5 Click [OK].



6 Check that the registered media name is displayed in the Media Definition screen and then click [Close].



7 Check that you can select the registered media name in [Media Name] on the [General] tab.

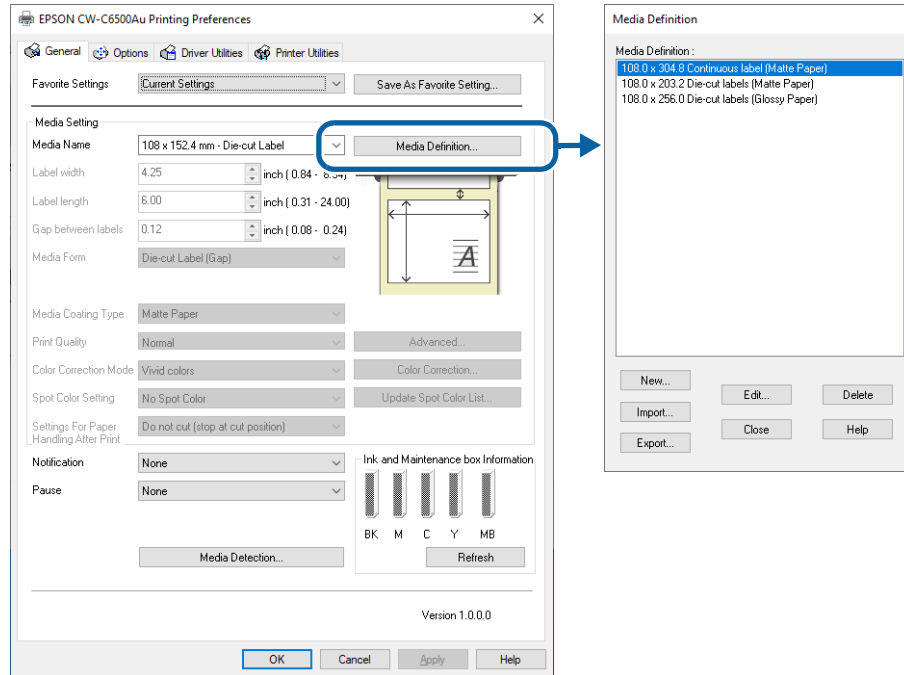


8 Click the [OK] button to close the driver.

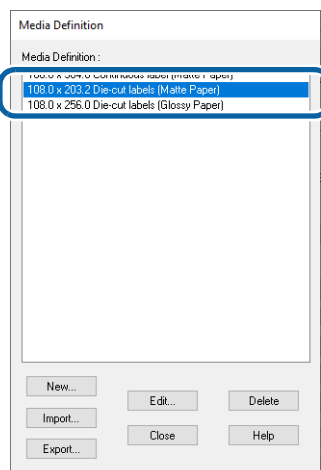
Paper registration (media definition) is now complete.

Editing and Deleting

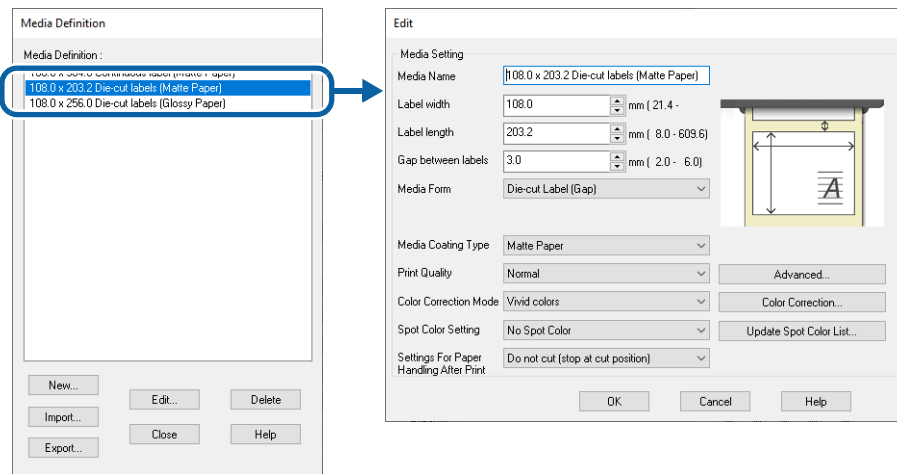
- 1 Open the printer driver window.
- 2 Click the [Media Definition] button on the [General] tab.
The Media Definition screen appears.



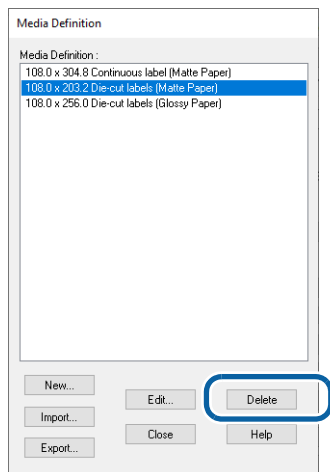
- 3 Click to select the media definition you wish to edit or delete.



- 4** If you wish to change the definition settings, click the [Edit] button. The Edit screen appears and you can change the definition.



If you wish to delete the definition, click the [Delete] button. A screen appears and if you click the [OK] button, the definition is deleted.



Editing or deleting a media definition is now complete.

Printing Barcodes

The printer has built-in fonts. This allows you to print a barcode without creating it on an application software.

Barcode Font Settings

You can make the barcode settings using [Barcode and 2D Symbol Settings] on the [Driver Utilities] tab.

1 Make the following settings.

- Display: Select [Barcodes].
- Font Name: Enter a character string. The string is set as the barcode font name. Only ASCII characters are accepted.
- Type: Select a barcode type. Available setting items changes according to the selected barcode type. You can select the type from the following options.

UPC-A	UPC-E	JAN13(EAN)
JAN8(EAN)	Code39	ITF
Codabar(NW7)	Code93	Code128
GS1-128	GS1 DataBar Omnidirectional	GS1 DataBar Truncated
GS1 DataBar Limited	GS1 DataBar Expanded	

- **Rotation Settings:** Select an option to rotate a barcode.
- **Hexadecimal Input Mode:**
Select the check box to enter data for a barcode in hexadecimal.
- **Module:** Specify the width of the narrowest element of the barcode in units of dot.
- **Bar Height:** Specify the height of the element in units of dot. Actual print size equivalent to the specified dots will be displayed.
- **HRI Character Position:**
Specify the position to print HRI characters. Select [Do Not Print] if printing HRI characters is not necessary.



Depending on the selected barcode type, the position option cannot be selected.

- **Composite Component:**
Select a composite type.
- **Element Ratio:** Specify the ratio of wide element width to the narrowest element width.
The recommended ratio is 2.5.
- **Check Digit:** A number or symbol added to the barcode number in order to detect an error in the barcode number and to prevent fabrication.
- **Auto Convert to Minimize Entire Symbol Width:**
You can select this when the barcode type is CODE128. This function minimizes the number of symbols and characters that are necessary to express the specified data string.
- **Start Character:** Specify the start character.
- **Stop Character:** Specify the stop character.

2 Click [Add].

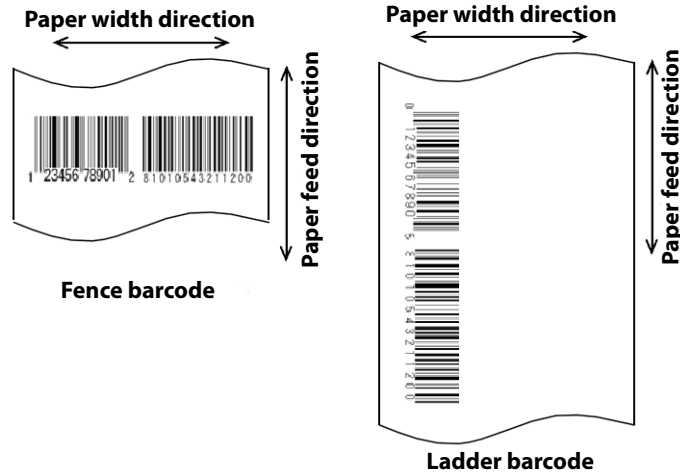
The configured barcode font is registered and added to the font list.



- Up to 30 barcode fonts can be registered.
- To edit settings of a registered barcode font, select the font from the font list, change the settings and then click [Save].
- To delete a registered barcode font, select the font from the font list, and then click [Delete].

Recommended Module Values

Print directions of a barcode are as shown below. The recommended module values vary by paper type, barcode type, and the print direction.



- You cannot change the orientation of a QR code, Micro QR code, and Maxi code by setting [Orientation] on the [Options] tab to [Landscape].
- You cannot rotate a QR code, Micro QR code, and Maxi code by selecting [Rotate 180] on the [Options] tab. In addition, if [Rotation Settings] is set to [Normal] or [Rotate 270 Degrees], the barcode or 2D symbol is not be printed.

□ 300 dpi

Barcode	Orientation	ANSI Grade C or higher minimum module size [in units of 300 dpi]				
		Matte Paper	Synthetic	Glossy Paper	Glossy Film	High Glossy Paper
Code39	Fence	3	3	3	3	3
	Ladder	3	3	3	3	3
Codabar	Fence	3	3	3	3	3
	Ladder	3	3	3	3	3
Code93	Fence	3	3	3	3	3
	Ladder	3	3	3	3	3
Code128	Fence	3	3	3	3	3
	Ladder	3	3	3	3	3
GS1-128	Fence	3	3	3	3	3
	Ladder	3	3	3	3	3

Barcode	Orientation	ANSI Grade C or higher minimum module size [in units of 300 dpi]				
		Matte Paper	Synthetic	Glossy Paper	Glossy Film	High Glossy Paper
ITF	Fence	3	3	3	3	3
	Ladder	3	3	3	3	3
GS1 DataBar Omnidirectional	Fence	3	3	3	3	3
	Ladder	3	3	3	3	3
GS1 DataBar Truncated	Fence	3	3	3	3	3
	Ladder	3	3	3	3	3
GS1 DataBar Limited	Fence	3	3	3	3	3
	Ladder	3	3	3	3	3
GS1 DataBar Expanded	Fence	3	3	3	3	3
	Ladder	3	3	3	3	3
UPC-A	Fence	3	3	3	3	3
UPC-E	Ladder	3	3	3	3	3
JAN13	Fence	3	3	3	3	3
JAN8	Ladder	3	3	3	3	3
EAN13	Fence	3	3	3	3	3
EAN8	Ladder	3	3	3	3	3

□ 600 dpi

Barcode	Orientation	ANSI Grade C or higher minimum module size [in units of 600 dpi]				
		Matte Paper	Synthetic	Glossy Paper	Glossy Film	High Glossy Paper
Code39	Fence	5	5	5	5	5
	Ladder	6	5	6	6	6
Codabar	Fence	5	5	5	5	5
	Ladder	6	5	6	6	6
Code93	Fence	5	5	5	5	5
	Ladder	6	5	6	6	6

Barcode	Orientation	ANSI Grade C or higher minimum module size [in units of 600 dpi]				
		Matte Paper	Synthetic	Glossy Paper	Glossy Film	High Glossy Paper
Code128	Fence	5	5	5	5	5
	Ladder	6	5	6	6	6
GS1-128	Fence	5	5	5	5	5
	Ladder	6	5	6	6	6
ITF	Fence	6	6	6	6	6
	Ladder	6	6	6	6	6
GS1 DataBar Omnidirectional	Fence	6	6	6	6	6
	Ladder	6	6	6	6	6
GS1 DataBar Truncated	Fence	6	6	6	6	6
	Ladder	6	6	6	6	6
GS1 DataBar Limited	Fence	6	6	6	6	6
	Ladder	6	6	6	6	6
GS1 DataBar Expanded	Fence	6	6	6	6	6
	Ladder	6	6	6	6	6
UPC-A	Fence	7	7	7	7	7
UPC-E	Ladder	7	7	7	7	7
JAN13	Fence	7	7	7	7	7
JAN8	Ladder	7	7	7	7	7
EAN13	Fence	7	7	7	7	7
EAN8	Ladder	7	7	7	7	7



- Readability of a barcode varies by paper type, performance of a barcode reader, or other factors. Furthermore, drop in print quality due to clogging of print head nozzles or skew of ink drops can cause a barcode to become unreadable. In case it happens, it is recommended to print HRI characters or take other measures.
- Due to characteristic of ink, ink seeped into paper may cause the bars of a barcode to be printed thicker. In such cases, carry out [Bar Width Adjustment] that reduces the bar width by 2 pixels, and increases space width by 2 pixels.
- If vibrations or shocks are applied to the printer during transporting or installing the printer, it may cause drop in barcode rank. In that happens, barcode rank may improve by carrying out [Bi-directional Printing Adjustment]. ("[Bi-directional Printing Adjustment](#)" on page 140)

How to Specify Barcode Data

See the following descriptions to specify barcode data.

About the composite symbol:

Switching between CC-A and CC-B is automatically performed, however, to use CC-C, you need to specify to use it.

(For GS1-128, the type of composite component can be selected from [No composite], [CC-A/CC-B], and [CC-C].)

Composite component type	Encodable number of digits
CC-A	1 to 56 digits
CC-B	1 to 338 digits
CC-C	1 to 2361 digits

About HRI characters:

If the length of the HRI characters becomes wider than entire width of the barcode, the length is regarded as the barcode width.

UPC-A

- Specify the barcode data with 11 digits. A check digit will be automatically added.

UPC-E

- Specify the barcode data with 10 digits. 5 digits are for a manufacturer code, and the rest of 5 digits are for a product code.

JAN13(EAN)

- Specify the barcode data with 12 digits. A check digit will be automatically added.

JAN8(EAN)

- Specify the barcode data with 7 digits. A check digit will be automatically added.

Code39

- If both or either one of a start code or a stop code is not specified, they will be automatically added.

ITF

- If specified with an odd number of digits, "0" (zero) will be automatically added at the beginning of the digits.

Codabar(NW7)

- Do not include a start code and a stop code. The start code and stop code you specified on the printer driver will be added.

Code93

- A start code, two check digits, and a stop code will be automatically added.
- A character (□) that indicates a start code is printed at the beginning of the HRI characters.
- A character (□) that indicates a stop code is printed at the end of the HRI characters.
- A combination of ■ and an alphabet character is printed to express each of HRI control characters (00h to 1Fh, 7Fh).

Control character		HRI character	Control character		HRI character	Control character		HRI character
ASCII	Hex number		ASCII	Hex number		ASCII	Hex number	
NULL	00	■ U	VT	0B	■ K	SYN	16	■ V
SOH	01	■ A	FF	0C	■ L	ETB	17	■ W
STX	02	■ B	CR	0D	■ M	CAN	18	■ X
ETX	03	■ C	SO	0E	■ N	EM	19	■ Y
EOT	04	■ D	SI	0F	■ O	SUB	1A	■ Z
ENQ	05	■ E	DLE	10	■ P	ESC	1B	■ A
ACK	06	■ F	DC1	11	■ Q	FS	1C	■ B
BEL	07	■ G	DC2	12	■ R	GS	1D	■ C
BS	08	■ H	DC3	13	■ S	RS	1E	■ D
HT	09	■ I	DC4	14	■ T	US	1F	■ E
LF	0A	■ J	NAK	15	■ U	DEL	7F	■ F

Code128

- If you have disabled the auto convert function, enter a two-digits start code at the beginning of the data. If you have enabled the auto convert function, the type of start character is automatically determined and you do not need to specify the type in your application.
 - * An error will occur if you add {A, which sets the type to CODE A, when CODE A has already been selected as the start character.
 - * An error will occur if you add {B, which sets the type to CODE B, when CODE B has already been selected as the start character.
 - * An error will occur if you add any one of the following characters when CODE C has already been selected as the start character.
 {S {C {2 {3 {4 {{
- A special character is expressed by a combination of { and the next character.

Control character	ASCII	HRI character
SHIFT	{S	Not printed
CODE A	{A	Not printed
CODE B	{B	Not printed
CODE C	{C	Not printed
FNC1	{1	Not printed
FNC2	{2	Not printed
FNC3	{3	Not printed
FNC4	{4	Not printed
{'	{{	{ is printed.

GS1-128

- ‘()’ are used as delimiters for the application identifiers. (printed as the HRI character, but not encoded.)
- A start code (CODE A, CODE B, CODE C) and a stop code will be automatically added.
- A symbol character FNC1 is automatically added next to the start code.
- If you use “*”, it will be skipped.
- As an application identifier, specify a two-digits consecutive number. If the identifier is not specified correctly, an error will occur.
- A special character is expressed by a combination of { and the next character.
- If data immediately after { does not apply to any one of the followings, an error will occur.

Control character	ASCII	HRI character
Control character (00h to 1Fh, and 7Fh)		A space is printed.
FNC1	{1	A space is printed.
{	{{	{ is printed.
{({{((is printed.
{}	{}) is printed.
{*}	{*}	* is printed.
Beginning parenthesis for an application identifier	((is printed.
Closing parenthesis for an application identifier)) is printed.
Skipped character	*	Not printed

GS1 DataBar Omnidirectional / GS1 DataBar Truncated / GS1 DataBar Limited

- The first “01”, an application identifier, is not encoded (not included as the barcode data).
- When the HRI character is printed, the application identifier 01 is printed as “(01)” before the package identification code.
- You do not need to add a check digit in the barcode data.
- When the HRI character is printed, a check digit will be automatically printed after the product code.
- For GS1 DataBar Limited, specify 0 or 1 for the first digit.

GS1 DataBar Expanded

- ‘(’ are used as delimiters for the application identifiers. (printed as the HRI character, but not encoded.)
- Be sure to include all the application identifiers in the data.
- If the first data is “01” when an application identifier, left and right parentheses, and * are excluded, the 14th digit counted from the digit next to “01” is used as the check digit. If the data is incorrect, an error will occur.
- If the number of digits after “01” is less than 14, a check digit is not added.
(Unlike GS1-128, a symbol “*” cannot be used for automatic calculation and addition of a check digit. If “*” is added in the data, it will be ignored and the subsequent data is shifted by one digit.)
- Specify a special character as described below.

Control character	ASCII	HRI character
FNC1	{1	Not printed
Beginning parenthesis for an application identifier	((is printed.
Closing parenthesis for an application identifier)) is printed.
'*'	{*	Error
Skipped character	*	Not printed
'{'	{{	{ is printed.

How to Print

Open print data file in an application, and specify barcode font, point, and language that you have set on the printer driver, and then print it.



- The barcode size cannot be changed from the point set in [Specified Point]. If you specify a size other than the specified one, the barcode is not printed.
- Some application such as .NET application may not be able to display or let you select the barcode font registered by the printer driver. If that occurs, use the [Font Replacement] function of the printer driver to replace a True Type font with the barcode font. See "[Printing Barcodes / 2D Symbols on .NET Environment](#)" on page 97.

Printing 2D Symbols

The printer driver has the built-in 2D symbol font. This allows you to print a 2D symbol without creating it on an application software.

Setting the 2D Symbol Font

You can make the 2D symbol settings using [Barcode and 2D Symbol Settings] on the [Driver Utilities] tab.

1 Make the following settings.

- Display: Select [2D Symbols].
- Font Name: Enter a character string. The string is set as the 2D symbol font name. Only ASCII characters are accepted.
- Type: Select a type of 2D symbol. Available setting items changes according to the selected type.
- Rotation Settings: Select an option to rotate a 2D symbol.
- Hexadecimal Input Mode: Select the check box to enter data for a 2D symbol in hexadecimal.

2 Make the settings for the barcode type you selected.

- Settings for PDF417
 - * Module Width: Set module width of PDF417.
For the recommended value, see ["Recommended Module Values" on page 93](#).
 - * Module Height: Specify the ratio of PDF417 module height to the module width.
For the recommended value, see ["Recommended Module Values" on page 93](#).
 - * Column: Specify the number of columns of PDF417.
 - * Row: Specify the number of rows of PDF417.
 - * Truncation Symbol: Select the check box to create a symbol using data excluding the stop code of PDF417.
 - * Error Correction Level: Specify an error correction level for PDF417. This allows the symbol data to be correctly read even if a portion of the symbol is missing or damaged. The larger the number is, the higher the possibility of data restoration gets.
- Settings for MicroPDF417
 - * Module Width: Set module width of MicroPDF417.
For the recommended value, see ["Recommended Module Values" on page 93](#).
 - * Module Height: Specify the ratio of MicroPDF417 module height to the module width.
For the recommended value, see ["Recommended Module Values" on page 93](#).
 - * Column: Specify the number of columns of MicroPDF417.
 - * Row: Specify the number of rows of MicroPDF417.
- Settings for QR code
 - * Model: Select a QR code model.
 - * Module: Select a width of a cell (module) of QR code.
For the recommended value, see ["Recommended Module Values" on page 93](#).
 - * Error Correction Level: Specify an error correction level for QR code. This allows the symbol data to be correctly read even if a portion of the symbol is missing or damaged. The possibility of data restoration gets higher in the order of L, M, Q, and H.
 - * Character Mode: Select a mode for data to be converted into a QR code.
- Settings for Micro QR code
 - * Version: Specify the version of Micro QR code.
 - * Module: Select a width of a cell (module) of Micro QR code.
For the recommended value, see ["Recommended Module Values" on page 93](#).
 - * Error Correction Level: Specify an error correction level for Micro QR code. This allows the symbol data to be correctly read even if a portion of the symbol is missing or damaged. The possibility of data restoration gets higher in the order of L, M.
- Settings for MaxiCode
 - * Mode: Select a mode of MaxiCode.
- Settings for GS1 DataBar
 - * Module: Set module width of GS1 DataBar.
For the recommended value, see ["Recommended Module Values" on page 93](#).
 - * Number of Characters: Specify the max width of GS1 DataBar.
Set this if you have selected GS1 DataBar Expanded Stacked.

- Settings for AztecCode
 - * Type: Select a type of AztecCode.
 - * Cell Size: Select a size of a cell (module) of AztecCode.
For the recommended value, see "[Recommended Module Values](#)" on page 93.
 - * Number of Layers: Specify the number of layers of AztecCode.
 - * Error Correction Area:
 - Select any one of the following error correction area settings for AztecCode. This allows the symbol data to be correctly read even if a portion of the symbol is missing or damaged. The larger the number is, the higher the possibility of data restoration gets.
 - [Auto]: the default is 23%+3 code words.
 - [Specify a Percentage]: Enter a percentage of error correction area into the entry field.
- Settings for DataMatrix
 - * Symbol Shape: Select a shape of DataMatrix symbol.
 - * Error Correction Level:
 - Specify an error correction level for DataMatrix.
 - * Cell Size: Select a size of a cell (module) of DataMatrix.
For the recommended value, see "[Recommended Module Values](#)" on page 93.
 - * Number of Vertical Cells:
 - Specify the number of cells of DataMatrix in the vertical direction.
 - Set this when you have selected [Rectangle] in the DataMatrix [Symbol Shape] setting.
 - * Number of Horizontal Cells:
 - Specify the number of cells of DataMatrix in the horizontal direction.
 - Set this when you have selected [Rectangle] in the DataMatrix [Symbol Shape] setting.
 - [Minimize]: The number of cells is automatically optimized and minimized.
 - [Specify the Size]: The number of cells is set according to the selected size.

3 Click [Add].

The configured 2D symbol font is registered and added to the font list.



- Up to 30 2D symbol fonts can be registered.
- To edit settings of a registered 2D symbol font, select the font from the font list, change the settings and then click [Save].
- To delete a registered 2D symbol font, select the font from the font list, and then click [Delete].

Recommended Module Values

The recommended module values vary by paper type, 2D symbol type, and the print direction.

2D Symbols - Stacked code type

□ 300 dpi

2D Symbols	Orientation	ANSI Grade C or higher minimum module size [in units of 300 dpi]				
		Matte Paper	Synthetic	Glossy Paper	Glossy Film	High Glossy Paper
PDF417	-	3	3	3	3	3
Micro PDF	-	3	3	3	3	3
GS1 DataBar Stacked	-	3	3	3	3	3
GS1 DataBar Stacked Omnidirectional	-	3	3	3	3	3
GS1 DataBar Expanded Stacked	-	3	3	3	3	3

□ 600dpi

2D Symbols	Orientation	ANSI Grade C or higher minimum module size [in units of 600 dpi]				
		Matte Paper	Synthetic	Glossy Paper	Glossy Film	High Glossy Paper
PDF417	-	5	5	5	5	5
Micro PDF	-	5	5	5	5	5
GS1 DataBar Stacked	-	5	5	5	5	5
GS1 DataBar Stacked Omnidirectional	-	5	5	5	5	5
GS1 DataBar Expanded Stacked	-	5	5	5	5	5



- If vibrations or shocks are applied to the printer during transporting or installing the printer, it may cause drop in barcode rank. In that happens, barcode rank may improve by carrying out [Bi-directional Printing Adjustment]. ("[Bi-directional Printing Adjustment](#)" on page 140)

2D Symbols - Matrix code type

□ 300 dpi

2D Symbols	Orientation	ANSI Grade C or higher minimum module size [in units of 300 dpi]				
		Matte Paper	Synthetic	Glossy Paper	Glossy Film	High Glossy Paper
QR Code	-	4	5	5	5	5
Micro QR	-	5	6	5	5	5
Aztec	-	4	4	4	4	4
DataMatrix	-	3	4	3	3	3
MaxiCode	-	21	21	21	21	21

□ 600dpi

2D Symbols	Orientation	ANSI Grade C or higher minimum module size [in units of 600 dpi]				
		Matte Paper	Synthetic	Glossy Paper	Glossy Film	High Glossy Paper
QR Code	-	9	10	9	9	9
Micro QR	-	11	12	11	11	11
Aztec	-	8	8	8	8	8
DataMatrix	-	7	8	7	7	7
MaxiCode	-	21	21	21	21	21



- If vibrations or shocks are applied to the printer during transporting or installing the printer, it may cause drop in barcode rank. In that happens, barcode rank may improve by carrying out [Bi-directional Printing Adjustment]. ("[Bi-directional Printing Adjustment](#)" on page 140)

Specifying Data of 2D Symbols

See the following descriptions to specify 2D symbol data.

PDF417 / MicroPDF417

- If the number of columns and rows is 0, they are automatically calculated.
- When specifying a number other than 0, specify the numbers so that multiplying the columns by the rows equals 928 or lower.

QR Code

- According to the data size, the version is automatically changed to the version appropriate to the size.

Micro QR Code

- The size is automatically determined.

MaxiCode

- Specify a special character as described below.

Control character	Hexadecimal
SHIFT	0x7B, 0x53
CODE B	0x7B, 0x42
CODE C	0x7B, 0x43
FNC1	0x7B, 0x31
FNC2	0x7B, 0x32
FNC3	0x7B, 0x33
FNC4	0x7B, 0x34

DataMatrix

- If data immediately after { does not apply to any one of the followings, an error will occur.

Control character	ASCII
FNC1	{1
'{'	{{

GS1 DataBar Stacked / GS1 DataBar Stacked Omnidirectional

- Do not include the application identifier "01" in the beginning of data.
- You do not need to add a check digit in the data.
- Printing the 2D symbol with a composite symbol is supported. When printing the 2D symbol with a composite symbol, use "\|" or "\\" to separate the barcode data from the data for the composite symbol. First enter data for the composite symbol, then enter data for the 2D symbol.

GS1 DataBar Expanded Stacked

- Multiple GS1 DataBar Expanded barcodes can be stacked. The way to specify the data is the same with that for GS1 DataBar Expanded. For details, see "[GS1 DataBar Expanded](#)" on page 88.
- Printing the 2D symbol with a composite symbol is supported. When printing the 2D symbol with a composite symbol, use “\|” or “|\” to separate the barcode data from the data for the composite symbol. First enter data for the composite symbol, then enter data for the 2D symbol.

AztecCode

- Both the full range mode and the compact mode are supported.

How to Print

Open print data file in an application, and specify 2D symbol font, point, and language that you have set on the printer driver, and then print it.



- The 2D symbol font size cannot be changed from the point set in [Specified Point]. If you specify a size other than the specified one, the 2D symbol is not printed.
- Some application such as .NET application may not be able to display or let you select the 2D symbol font registered by the printer driver. If that occurs, use the [Font Replacement] function of the printer driver to replace a True Type font with the 2D symbol font. See "[Printing Barcodes / 2D Symbols on .NET Environment](#)" on page 97.

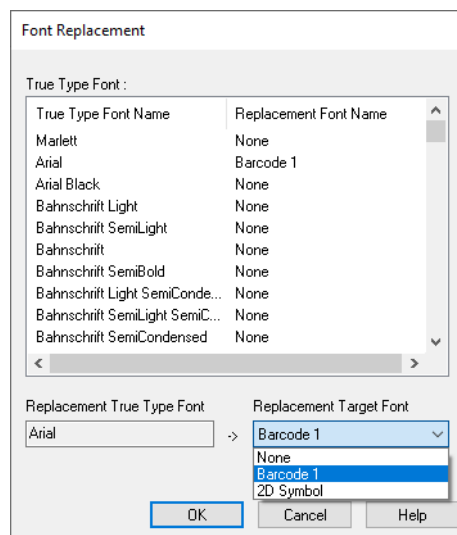
Printing Barcodes / 2D Symbols on .NET Environment

Since .NET Framework supports only True Type fonts and Open Type fonts, barcode or 2D symbol fonts registered in the printer driver cannot be printed. To solve the problem, use the [Font Replacement] function of the printer driver to replace a True Type font with the barcode or 2D symbol font. Then you can print the barcode or 2D symbol fonts from an application on .NET Framework environment.

On the application, font name of the replaced True Type font is displayed, however, when the data is printed, the barcode or 2D symbol is printed.

Font Replacement

To set font replacement, open the printer driver, select [Driver Utilities] tab, and then select [Font Replacement].



1 Make the following settings.

- Replacement True Type Font
 - * Select a True Type font you want to substitute.
- Replacement Target Font
 - * Select a barcode or 2D symbol font you want to use.

2 Click [OK].

The True Type font is replaced with the barcode or 2D symbol font.

Printing Barcodes/2D Symbols

In the print data file, specify the True Type font that you replaced with the barcode or 2D symbol font, and specify the point and language.



- The point of barcode or 2D symbol is predetermined. Check the point in the [Barcode and 2D Symbol Settings] on the [Driver Utilities] window. If you specify a value other than the specified one, the barcode or 2D symbol is not printed.
- You cannot use the replaced True Type font for data other than barcode or 2D symbol data. If you use the font for other characters, the characters will not be printed. Therefore, make sure to select a True Type font that you do not use for printing data other than barcodes or 2D symbols.

Favorite Settings

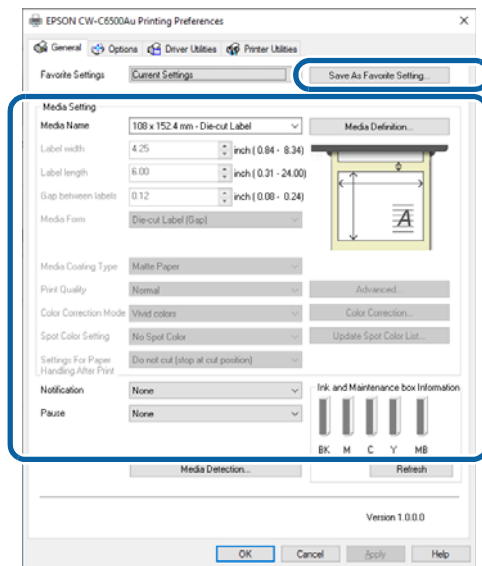
The Favorite Settings function allows you to register and manage print settings of the printer driver.



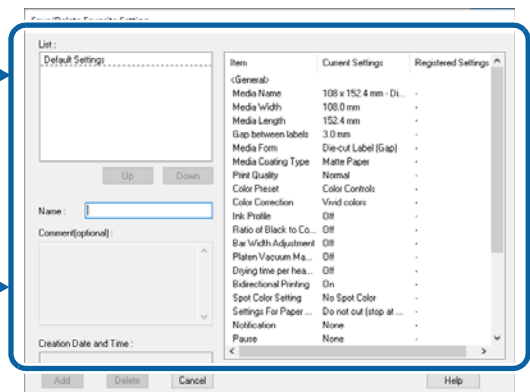
Note that this function is completely different from the [Favorite Setting] available from the control panel of the printer, and they are not compatible with each other.

The print settings include the settings available on the [General] and [Options] windows. Various settings such as paper type, paper layout, user-defined paper settings are included in the print settings.

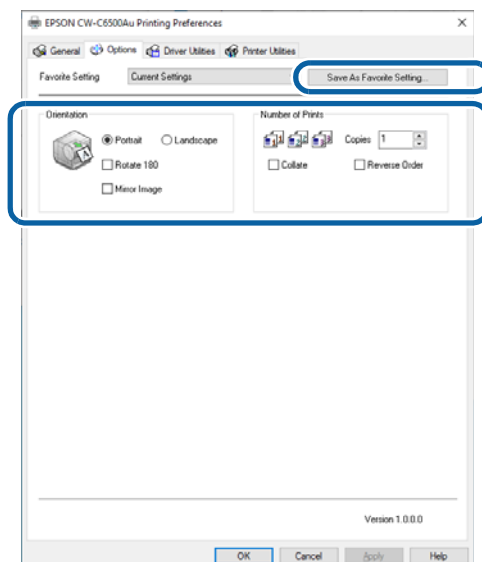
[General] window



Favorite Settings



[Options] window



Features

- When printing from an application, the registered print settings can be set as default print settings. After you make print settings, click [Save as Favorite Setting] to register the print settings.
- Many sets of print settings can be registered in [Favorite Settings].

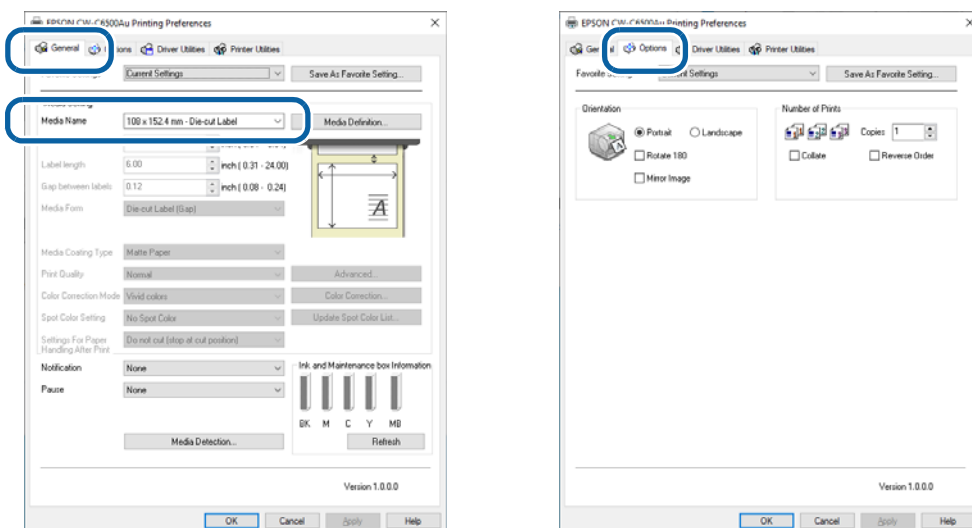
If you frequently use multiple sets of print settings due to use of different sizes or types of paper or other reasons, register each set of the print settings to [Favorite Settings] so that you can complete print settings just by selecting the set from the [Favorite Settings] list. This also allows you to prevent misprint due to wrong print settings.

(If you change paper type or size, you may need to change the [Media Detect] setting of the printer.)

Registering Print Settings in [Favorite Settings]

1 Make the print settings to match them with the paper you use.

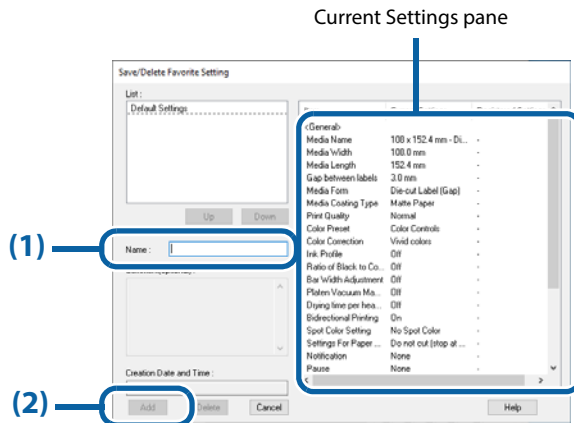
Configure the print settings on the [General] and [Options] windows. When using a user-defined paper, select it from the [Media Name] list on the [General] window.



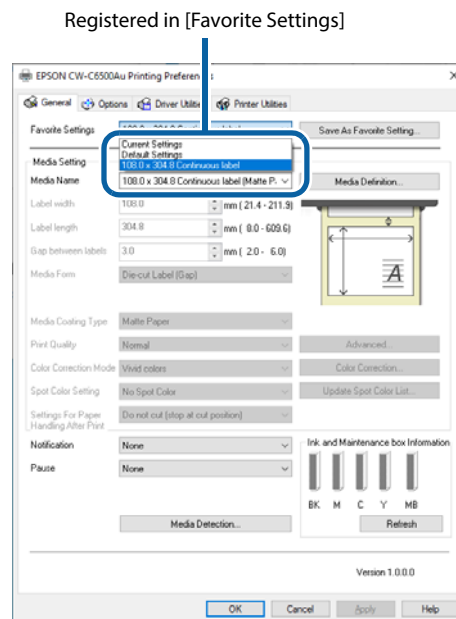
2 Click [Save as Favorite Setting]. The Save/Delete Favorite Setting screen appears.

The current settings are displayed on the right side of the screen.

- 3** Enter a name of the settings in the [Name] field, and then click [Add].
The Save/Delete Favorite Setting screen is closed.



- 4** Check that the name of the added print settings is displayed in the list of [Favorite Settings].



The [Favorite Settings] includes the following settings.

- **Default Settings:** The printer driver has these settings by default.
- **Current Settings:** The settings currently configured on the [General] and [Options] windows. You can check the settings on the [Show Settings] screen and on the [Save/Delete Favorite Setting] screen.
- **Registered Settings:** Print settings registered by the user.

User Defined Information

The following information is included in User Defined Information.

- User-defined paper settings
- Registered barcode font settings
- Font replacement settings for .NET environment

The user defined information is set on each client computer.

If multiple printer drivers have been installed on one computer, the information can be shared between the multiple printer drivers.

Exporting/Importing Printer Driver Settings

You can export Favorite Settings, user defined information, and Driver Preferences settings to a BSF file (the extension is .BSF). By importing the exported BSF file, the same settings can be applied to the printer driver on another computer.



Note that the [Favorite Settings] function on the printer driver is completely different from the [Favorite Setting] function of the printer. It is impossible to include the [Favorite Setting] of the printer in the printer driver settings file.

Exporting Settings File

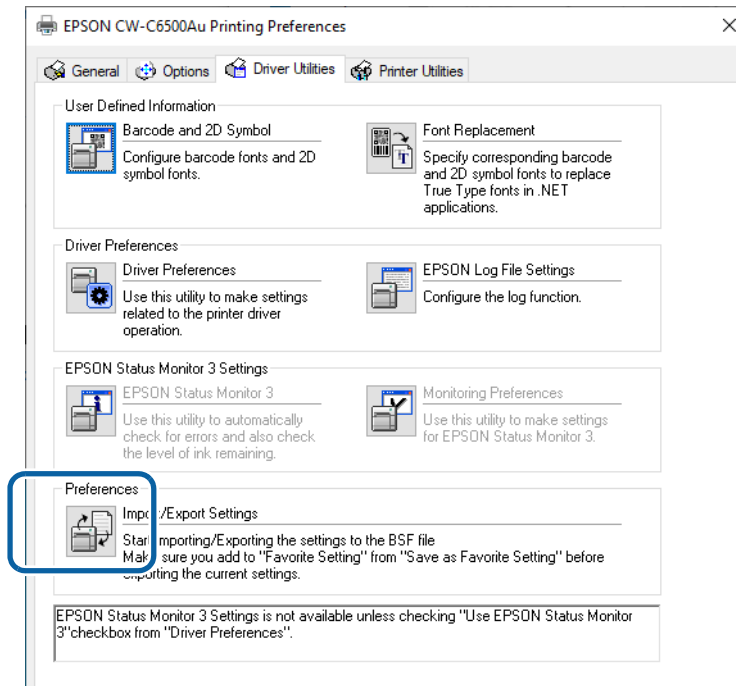
Export the settings file following the steps below.

- 1 Check that the set of print settings you want to export has been registered in [Favorite Settings]. If multiple sets of print settings have been registered in [Favorite Settings], only a set of print settings listed at the top of the [Favorite Settings] list is exported.**



- To change the order in the [Favorite Settings] list, open the Save/Delete Favorite Setting screen, select a set of print settings, and then click [UP] or [Down].
- If no set of print settings has been registered in [Favorite Settings], default print settings of the printer driver is exported.

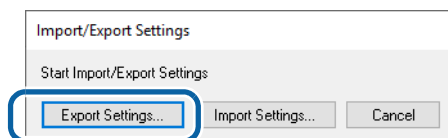
2 Select the [Driver Utilities] tab. Click [Import/Export Settings].



Export in a BSF file from the current settings. If you export it from the general setting, a different content will be exported.

- Current Settings:
Properties of the printer driver - [General] - [Printing References] - [Driver Utilities] - [Import/Export Settings]
- General setting:
Properties of the printer driver - [Advanced] - [Printing Defaults] - [Driver Utilities] - [Import/Export Settings]

3 The Import/Export Settings window appears. Click [Export Settings].



4 A window to save the settings file appears. Save the BSF file under a new file name.

5 The process completion screen appears. Click [OK].



To the BSF file, a set of print settings registered in [Favorite Settings] is exported. Print settings displayed in the [Current Settings] are not exported.

Importing Settings File



When the BSF file is imported to the printer driver, the printer driver settings are overwritten with the imported settings. If you keep the following settings unchanged, create BSF files to include them.

- List of Favorite Settings
- List of user-defined paper settings
- List of barcode fonts
- List of font replacement for barcode

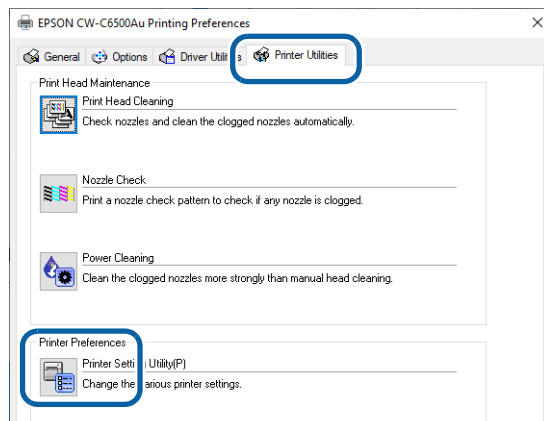
Import the settings file following the steps below.

- 1** Select the [Driver Utilities] tab. Click [Import/Export Settings].
- 2** The Import/Export Settings window appears. Click [Import Settings].
- 3** A confirmation window appears. Click [OK].
- 4** The window to open a file appears. Select the file to be imported.
- 5** The process completion screen appears. Click [OK].

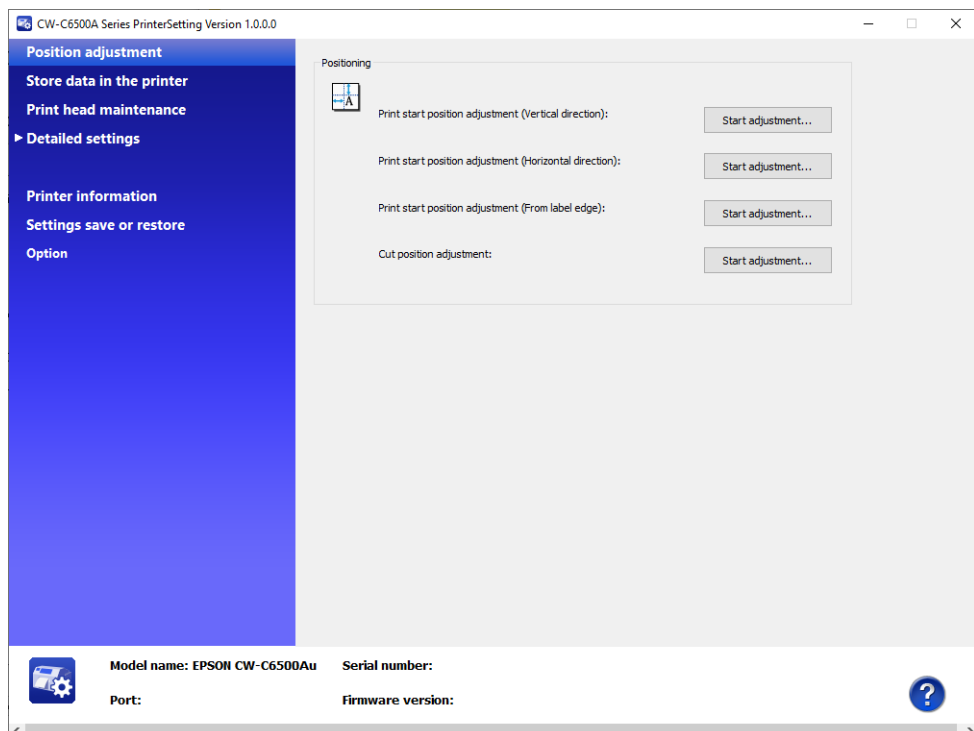
Starting PrinterSetting from the Printer Driver

Start PrinterSetting from the printer driver following the steps below.

- 1 Open the printer driver window.
- 2 Select the [Printer Utilities] tab. Click [Printer Settings].



- 3 The CW-C6XXX PrinterSetting screen appears.

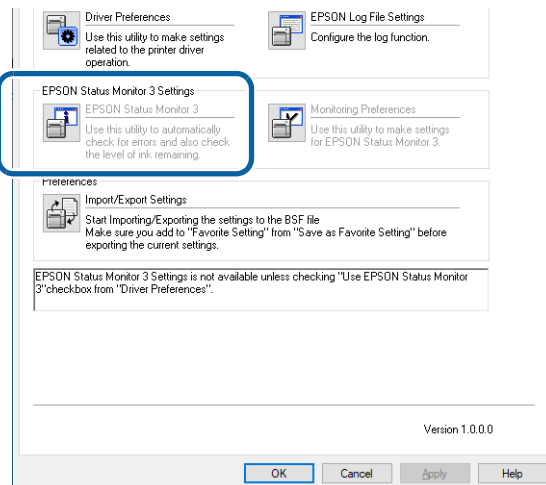


Setting EPSON Status Monitor 3

EPSON Status Monitor 3 displays a pop-up window to inform you specified paper type and ink levels when you start printing. In addition, if a fatal error occurs, it displays an error window. It is disabled by default.

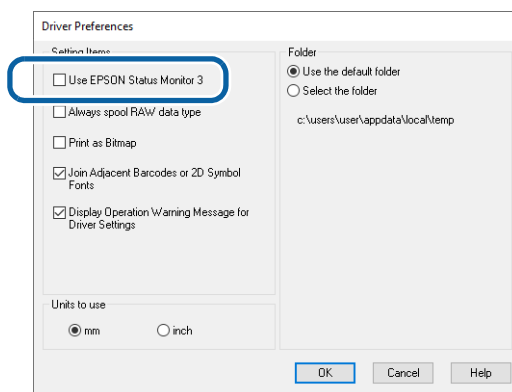
Enabling/Disabling EPSON Status Monitor 3

By default, EPSON Status Monitor 3 is disabled.

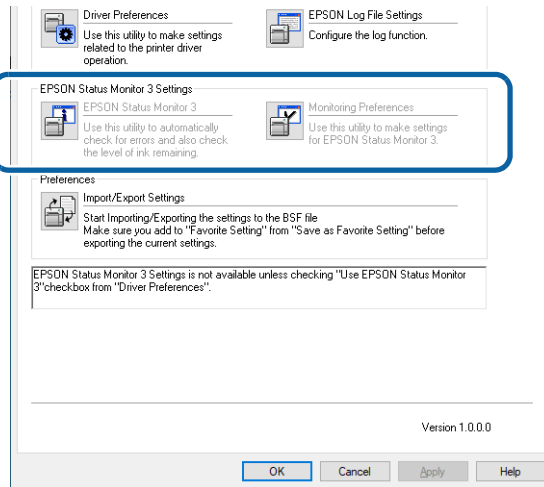


Follow the procedure below to enable EPSON Status Monitor 3.

- 1** Turn the printer on.
- 2** Open the printer driver window.
- 3** Select the [Driver Utilities] tab and then click [Driver Preferences] in the Driver Preferences field.
- 4** The Driver Preferences window appears. Select the check box for [Use EPSON Status Monitor 3], and then click [OK].



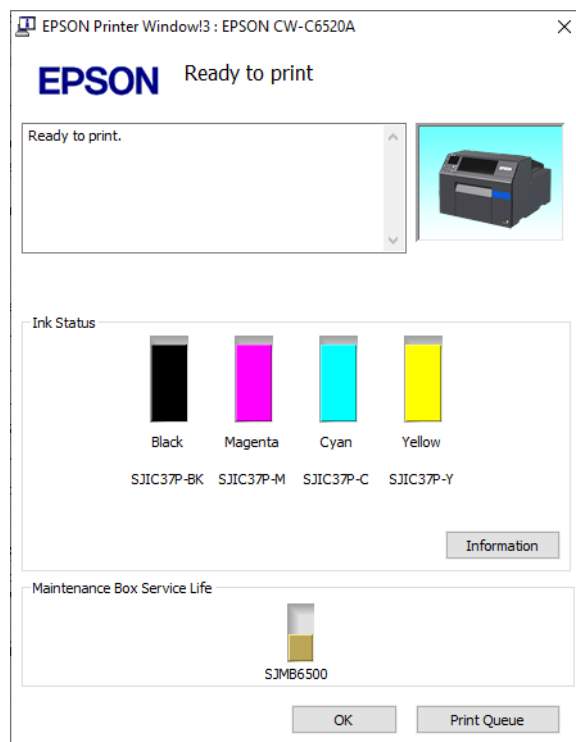
- 5** In the [EPSON Status Monitor 3 Settings] field on the [Driver Utilities] window, [EPSON Status Monitor 3] and [Monitoring Preferences] are displayed.



Using EPSON Status Monitor 3

When EPSON Status Monitor 3 is enabled, the following functions become available.

- A window to inform you the printer status and ink levels is automatically displayed when you start printing.
- When an error occurs during printing, the error information is displayed.
IF an error occurs on the printer while it is not printing, EPSON Status Monitor 3 does not start.
- You can start EPSON Status Monitor 3 anytime by clicking its icon on the task bar.
For information on how to display the icon, refer to ["Displaying the Icon" on page 111](#).

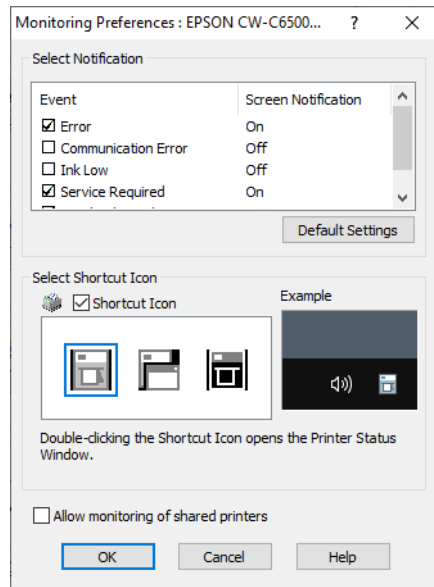


EPSON Status Monitor 3 window



Icon on the task bar

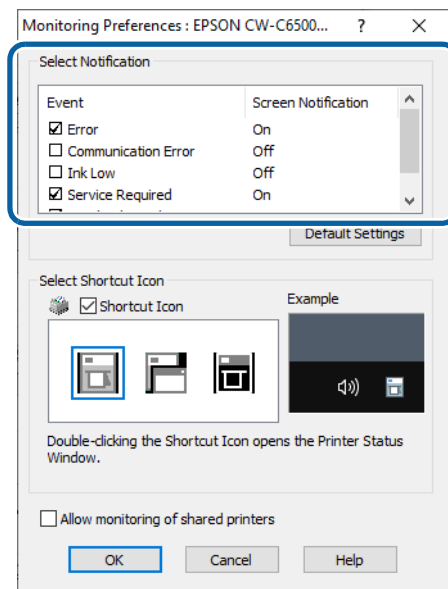
- You can set the following in the [Monitoring Preferences] settings.
Display the EPSON Status Monitor 3 icon on the task bar.
(See "[Displaying the Icon](#)" on page 111.)



Error Notification Settings

Follow the procedure below to change the error notification settings of EPSON Status Monitor 3.

- 1 Turn the printer on.**
- 2 Open the printer driver window.**
- 3 Select the [Driver Utilities] tab and then click [Monitoring Preferences].**
If you have not enabled EPSON Status Monitor 3, [Monitoring Preferences] is not displayed. Enable EPSON Status Monitor 3 referring to "[Enabling/Disabling EPSON Status Monitor 3](#)" on page 106.
- 4 The Monitor Preferences window appears. Select the check boxes for the items that you want to be notified, and then click [OK].**

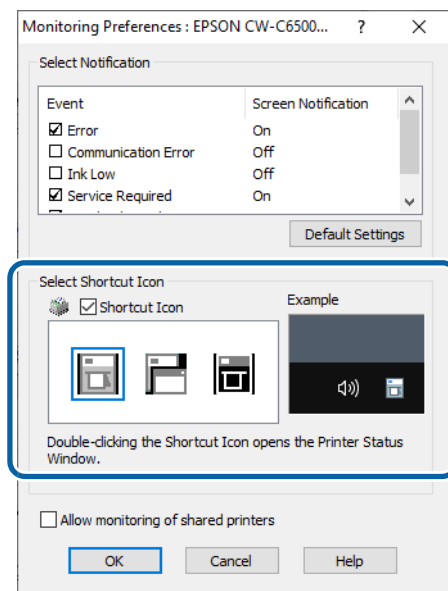


- Error: When paper/ink replacement is required (Default: Screen Notification [On])
- Communication Error: When the printer power is off (Default: Screen Notification [Off])
- Ink Low: When the ink amount is low (Default: Screen Notification [Off])
- Service Required: When a printer error occurs (Default: Screen Notification [On])
- Nozzle Clogged Warning: When the nozzles get clogged (Default: Screen Notification [On])

Displaying the Icon

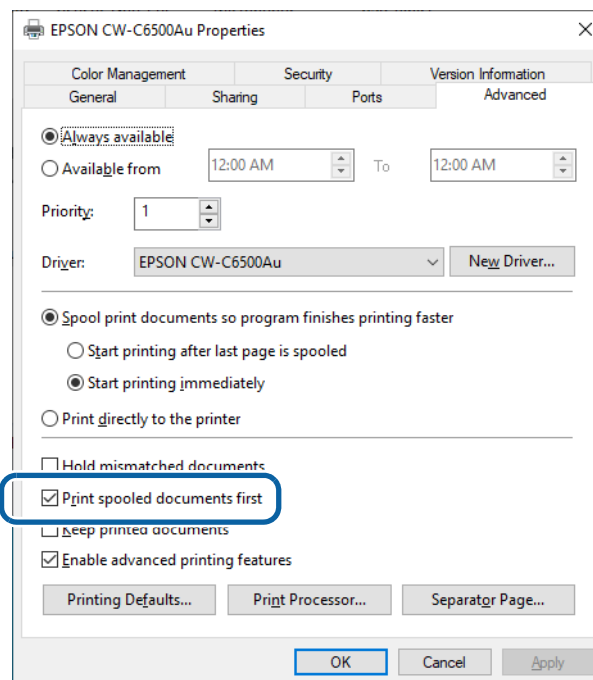
You can set to show the icon on the task bar, and check the printer status by clicking the icon. The icon is not displayed by default. Follow the procedure below to display the icon.

- 1 Turn the printer on.**
- 2 Open the printer driver window.**
- 3 Select the [Driver Utilities] tab and then click [Monitoring Preferences].**
- 4 The Monitor Preferences window appears. Select the check box for [Shortcut Icon], and then select an icon image you want to display on the task bar. Click [OK].**



Restrictions on Using the Printer Driver

- Keep the Bidirectional Printing function enabled. It can be set in [Advanced] that is a sub menu of [Print Quality] in [Media Settings].
- The printer driver does not support printing a background image.
- To print multiple print jobs in time order, disable [Print spooled document first]. If the printer driver receives multiple print jobs with [Print spooled document first] enabled, the print jobs may not be printed in time order.



- When using Epson printer driver, do not change the control prefix, the format prefix, and the delimiter string that are included in ESC/Label command from their defaults. If you change them, printing will not be performed or result in producing unintended printouts. For their default settings, see "[Operation Panel Settings](#)" on page 155 and find [Printer Settings] - [Print Settings] - [Command Character].

Printer Driver for Mac

This chapter describes how to operate the printer driver for Mac.

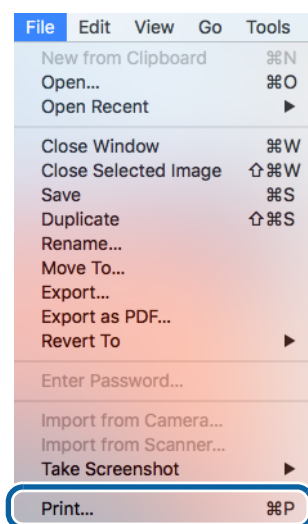
The printer driver is software to control the printer in accordance with the print instructions of application software.

Setting the print settings in the printer driver screen enables you to obtain the best print results. Furthermore, you can also use the utilities to check the printer status and perform maintenance.

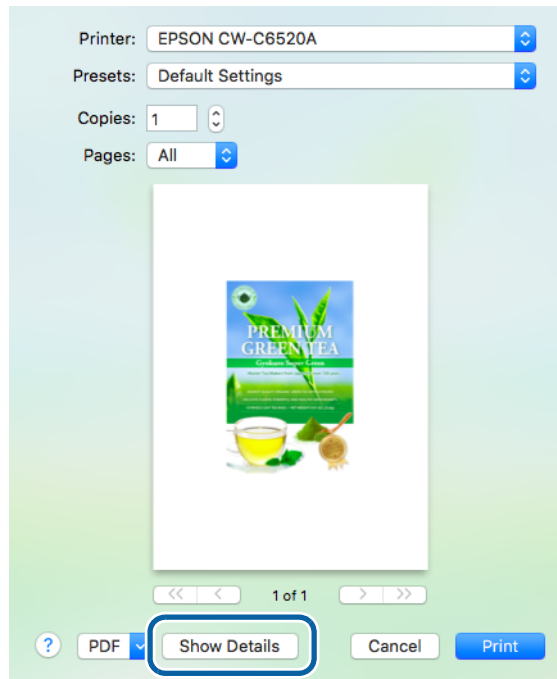
Basic Procedure for Printing

- 1 Turn on the printer, and then load paper in the printer. ("Loading Paper" on page 45)
- 2 Create data to print on an application software, then select the [File] menu and click [Print].

The following screenshots are from Preview of Mac OS X.

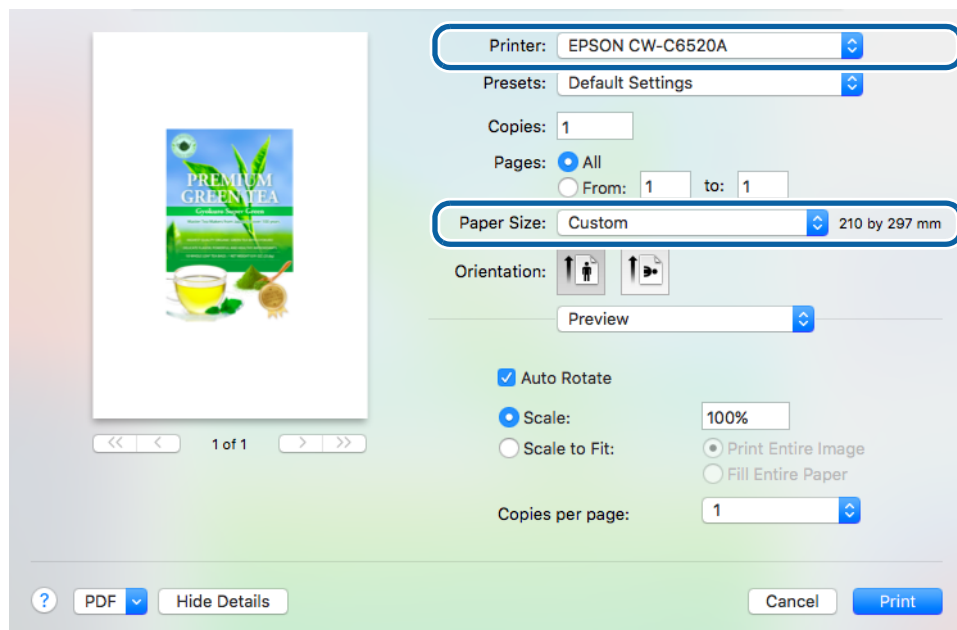


- 3 Click [Show Details] (or ) on the bottom of the screen.

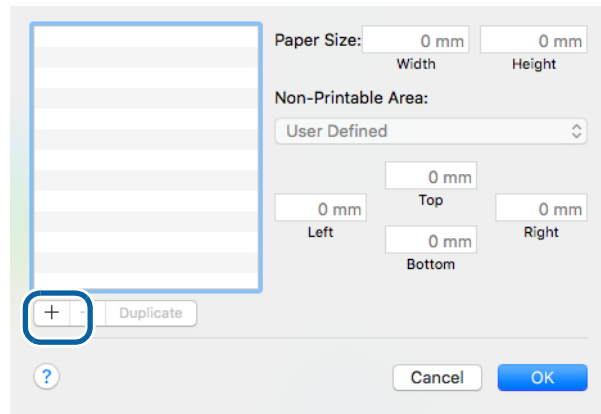


If page settings are not displayed in the print dialog, click the “page settings” option (e.g., Page Setup) in the File menu.

- 4 Check that this printer is selected, and then set the paper size. Select [Custom] to set a custom paper size.



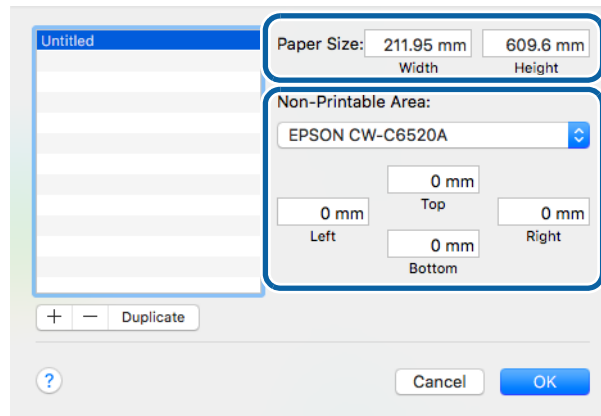
5 Click [+] to add a new set of paper size settings.



6 Enter paper size and make the margin setting of the printer.

Paper Size: Enter label size.

Non-Printable Area: Enter "0" in all the left, right, top and bottom fields.



7 Click [Untitled] and enter a name for the custom size, and then click [OK].
The new paper size is applied to the printer driver.

8 Change the other settings to make them suitable for your label paper.

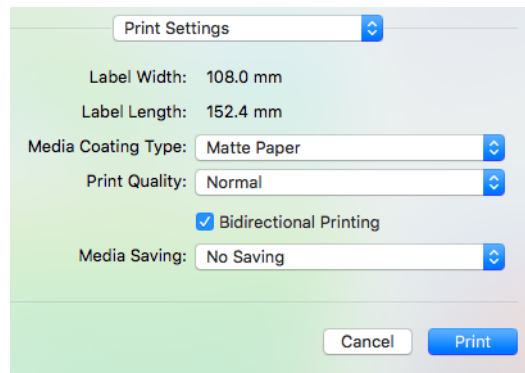
The following introduces setting menus that are unique to the printer. For the explanation of the other menus, refer to the Help.



- To change the paper source setting of the printer, change it using Epson Label Printer Utility. ("[Epson Label Printer Utility](#)" on page 121)
- You can change the default [Media Coating Type] setting of the printer driver following the procedure below.
 1. From the Apple menu, select [System Preferences] - [Printers & Scanners].
 2. Select the printer, and then click [Options & Supplies] - [Option].
 3. Change the setting.
- If setting menus described here are not displayed in the list, the dedicated printer driver for this printer has not been added.
Add the dedicated printer driver following the procedure in "[Selecting the Dedicated Printer Driver](#)" on page 118.

1 Print Settings

Select the type of paper you use. For the other settings, refer to the Help.

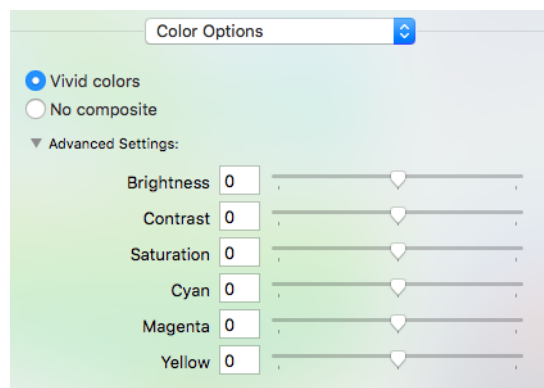


CAUTION

When printing on die-cut labels, set [Media Saving] to [No Saving]. Setting to the other option may cause the print position to shift.

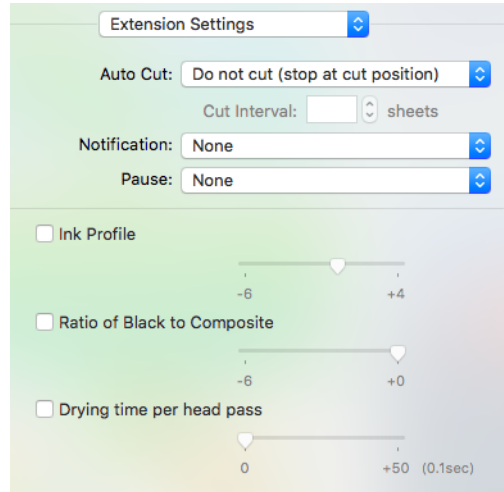
2 Color Options

This menu is enabled if you have selected [EPSON Color Controls] in the [Color Matching] menu. You can adjust color settings such as brightness and saturation. For more details, refer to the Help. For information on color correction, see "[Color Correction](#)" on page 170.



3 Extension Settings

You can change the following settings; auto cut setting (the auto cutter model only), buzzer (notification) setting, pause setting, ink profile, ratio of black to composite, and ink drying time. For explanation of each setting, refer to the Help.



If you print without selecting the check box for [Ink Profile], [Ratio of Black to Composite], and [Drying time per head pass], those settings configured on the printer are applied. The gray out settings shown on the driver screen are not showing the actual settings, but they are default settings of the printer driver.



You can change the driver's default setting of [Auto Cut] (the auto cutter model only), [Notification], and [Pause] following the procedure below.

1. From the Apple menu, select [System Preferences] - [Printers & Scanners].
2. Select the printer, and then click [Options & Supplies] - [Option].
3. Change the setting.

9 Check the print settings, and then click [Print] to start printing.

Selecting the Dedicated Printer Driver

If the menus described in “[Basic Procedure for Printing](#)” are not displayed, select the printer driver dedicate for this printer in [Printer]. The dedicated printer driver is displayed as follows.

- When connecting via USB
EPSON CW-C6XXXX
- When connecting via a network
EPSON CW-C6XXXX-YYYYYY
“XXXX” is the product model number. “YYYYYY” is the last six digits of the MAC address.



Depending on the OS version, the MAC address may not be displayed even when the printer is connected via a network.

If the dedicated printer driver is not displayed in the list, add it following procedure below.

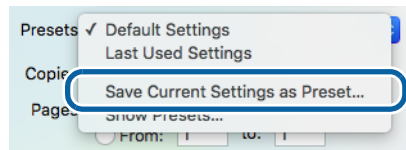
- 1** From the Apple menu, select [System Preferences] - [Printers & Scanners].
- 2** Click [+] and select [Add Printer or Scanner].
- 3** When the list of devices appears, select the dedicated printer driver and then click [Add].

Customizing the Printer Driver

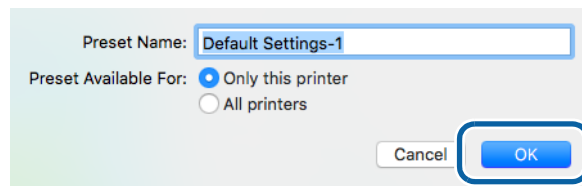
You can save frequently used sets of settings (paper size and other print settings) as Presets under a new name. This allows you to easily apply exactly the same settings repeatedly.

Saving Settings as Preset

- 1 Make the paper size and other print settings to save them as a preset.
- 2 From the [Presets] menu, select [Save Current Settings as Preset].



- 3 Enter a name, and then click [OK].

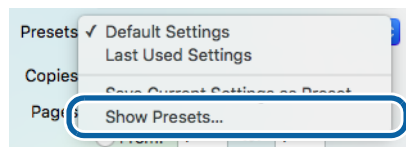


Select [All printers] in [Preset Available For] to allow selection of the preset from all printer drivers installed on your computer.

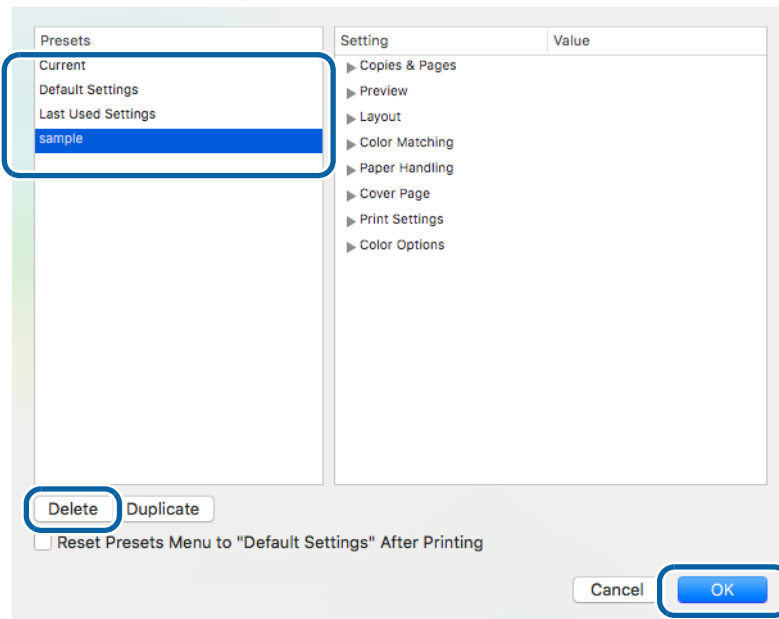
The set of settings is saved in [Presets]. You can select it from the [Presets] menu from the next time.

Deleting from Presets

- 1 Click [Show Presets...] in [Presets] of the Print dialog box.



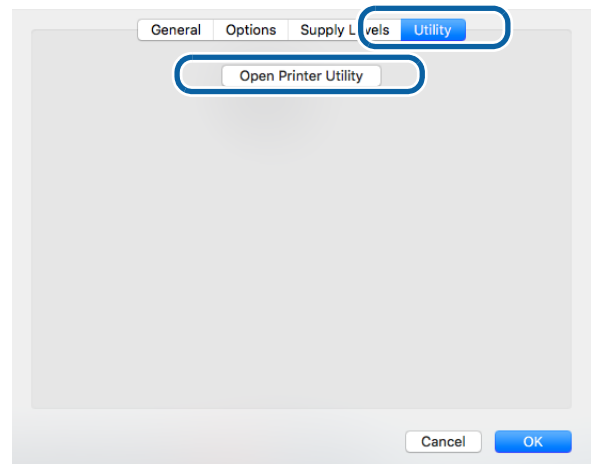
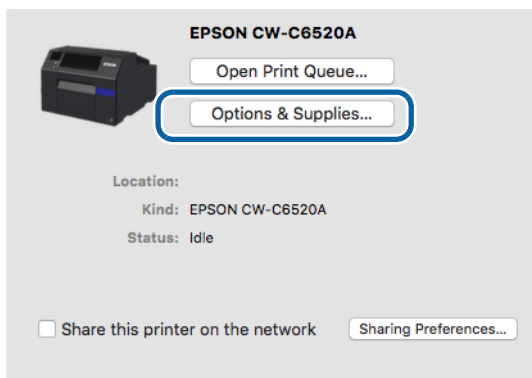
2 Select the preset you want to delete, click [Delete], and then click [OK].



Epson Label Printer Utility

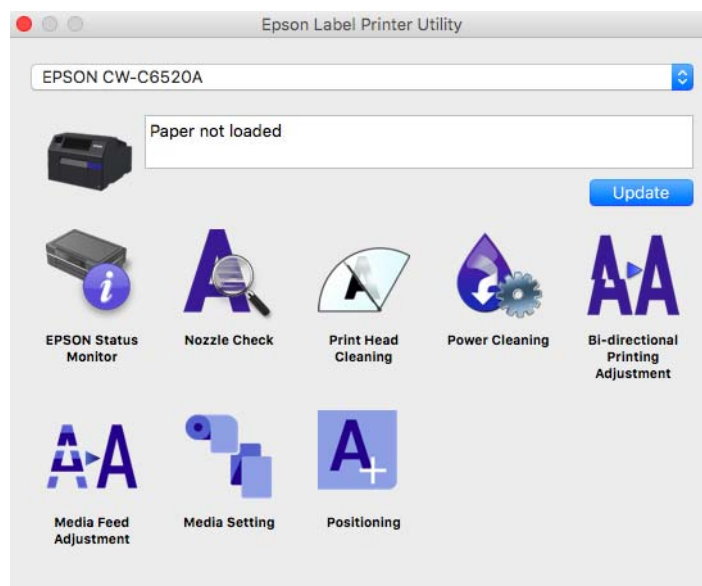
Epson Label Printer Utility allows you to start EPSON Status Monitor, to run a nozzle check and print head cleaning, and to make adjustments. In addition, [Media Setting], [Positioning], and [Settings for Paper Handling After Print] (the peeler model only) allow you to change those settings of the printer from the computer.

- 1 From the Apple menu, select [System Preferences] - [Printers & Scanners], and then select the dedicated printer driver for this printer.
- 2 Click [Options & Supplies] - [Utility] - [Open Printer Utility].



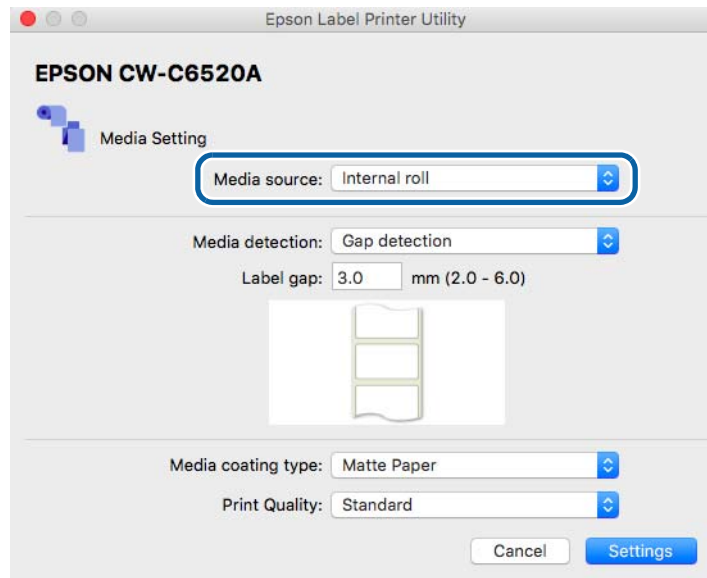
- 3 Epson Label Printer Utility starts.

Click an icon of the function you want to use. The function window appears. For more details, follow the instructions displayed on the window.



Changing the Paper Source Setting

To change the paper source setting (internal roll or external feed), select [Media Setting] of the Epson Label Printer Utility and change the [Media source] setting.



PrinterSetting



If you start PrinterSetting with user privileges, you may not be able to change the settings while the printer driver or other software is communicating with the printer.

PrinterSetting is a utility that allows you to configure the printer settings. The following shows a summary of available settings with PrinterSetting.

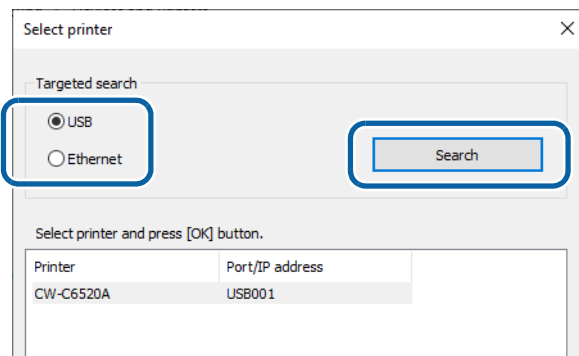
Item	Description	Page
Media settings*	Allows you to make settings of paper to be used on the printer.	Page 126
Layout settings*	Allows you to make paper layout settings. User-defined layout settings that include paper form and print area setting can be configured.	Page 127
Position adjustment	Allows you to adjust print start position and cut position.	Page 129
Print results adjustment*	Allows you to adjust colors and barcode.	Page 131
Store data in the printer	Allows you to register images, templates, and fonts to the printer. In addition, a character code can be selected from the character code table.	Page 132
Background image settings*	Allows you to configure a background image.	Page 133
Print head maintenance	Allows you to run a print head cleaning or nozzle check, and make settings for periodic cleaning.	Page 135
Detailed settings	Allows you to make detailed settings of the printer. <ul style="list-style-type: none"> • Printer settings • Panel settings • Nozzle check settings • Advanced settings <ul style="list-style-type: none"> * Replace settings from printer using ZPL II commands * Favorite settings • Initialize printer 	Page 136 to Page 150
Printer information	Allows you to check the printer settings such as paper settings and layout settings, and the maintenance counter.	Page 151
Settings save and restore	Allows you to save the printer settings and to restore the settings from the saved file.	Page 153
Option	Allows you to change PrinterSetting preferences. A unit of length used in PrinterSetting and start up setting can be changed.	Page 154

* Not displayed if you start PrinterSetting from the printer driver.


How to Start PrinterSetting

Start PrinterSetting by following the steps below.

- 1 Turn the printer on.
- 2 Click [Start] - [EPSON] - [CW-C6XXX PrinterSetting].
- 3 The Select printer window appears. Select a search target, and then click [Search].



- 4 The printer is displayed in the list. Select the printer, and then click [OK].

 If the printer is connected via Ethernet, the printer may not be displayed in the list. In that case, enter an IP address of the printer.

Select printer

Targeted search

USB

Ethernet

Search

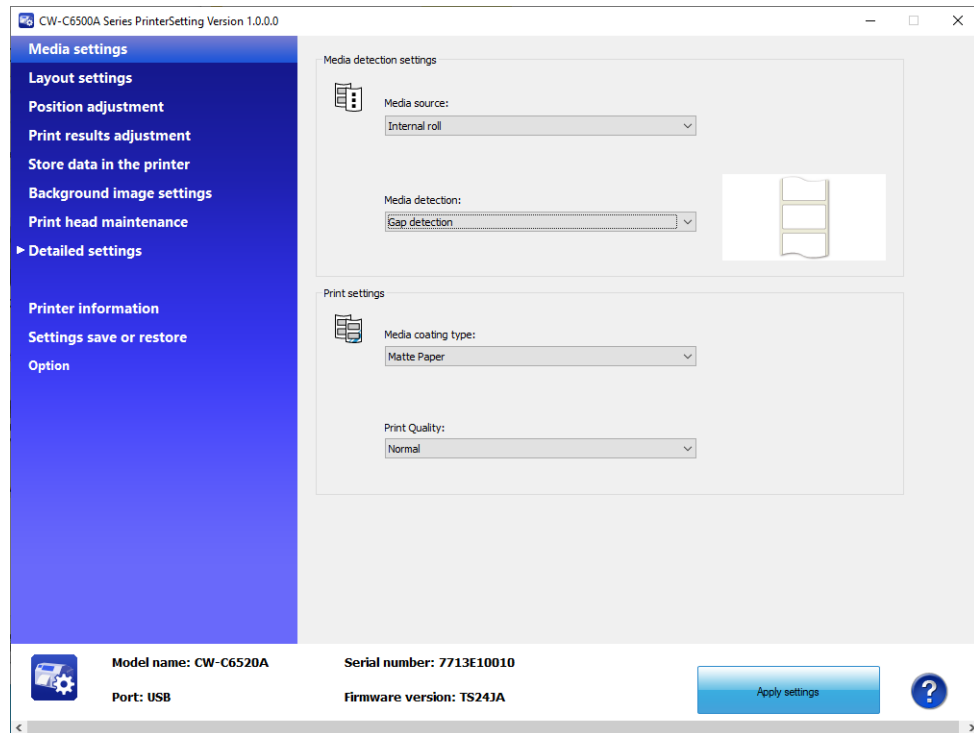
Select printer and press [OK] button.

Printer	Port/IP address

IP address: 192 . 168 . 192 . 168

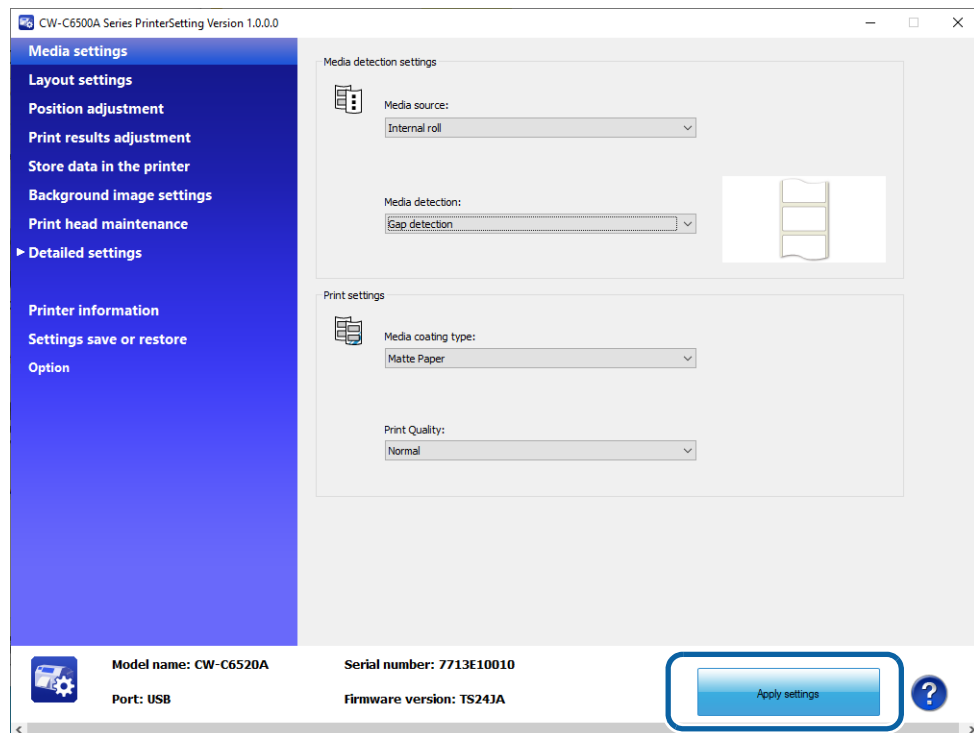
OK Cancel Help

5 PrinterSetting is started.



How to Apply Settings

After you change the printer settings, click [Apply settings] to apply the changes to the printer.

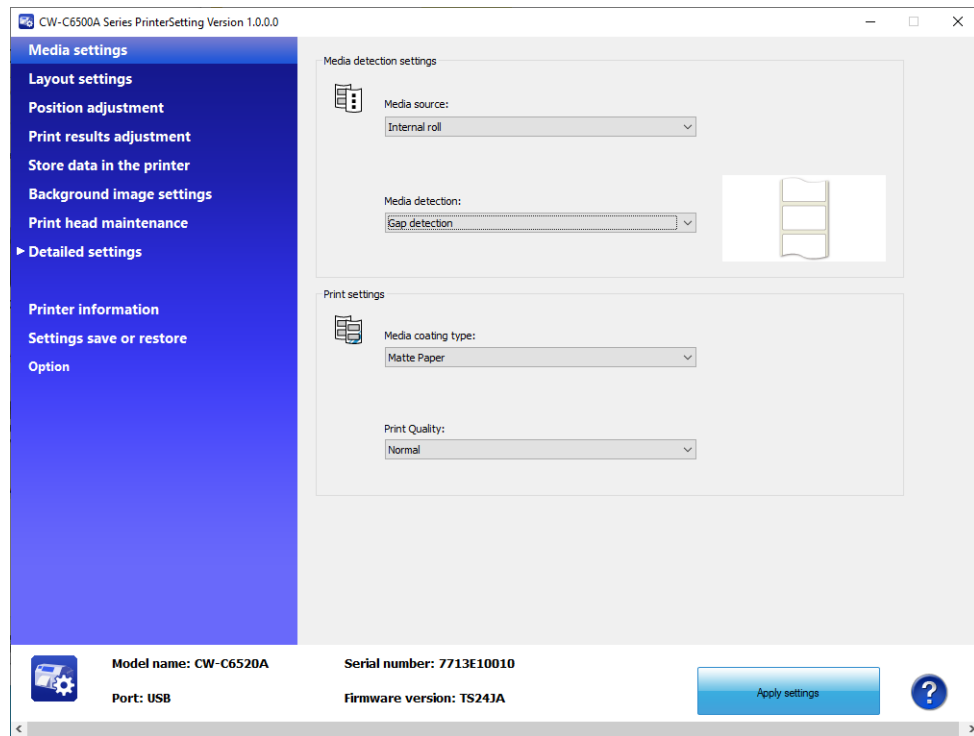


Media settings

Allows you to make settings of paper to be used on the printer.



This is not displayed if you start PrinterSetting from the printer driver.



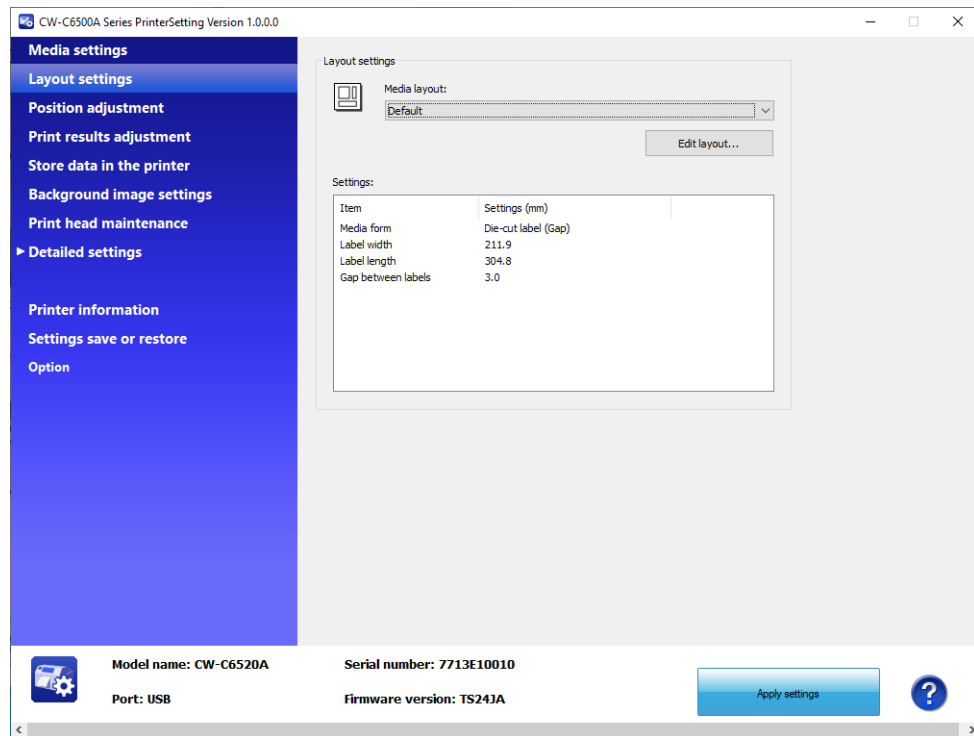
Item		Description
Media detection settings	Media source	Allows you to change the paper feed setting.
	Media detection	Allows you to set paper detection setting.
Print settings	Media coating type	Allows you to select a paper type.
	Print Quality	Allows you to select the print quality.

Layout settings

Allows you to change the paper layout settings and create a user-defined layout settings.



This is not displayed if you start PrinterSetting from the printer driver.



Item		Description
Layout settings	Media layout	Allows you to make paper layout settings.
	Edit layout...	Allows you to create a user-defined layout settings. The Layout settings window appears when you click this.

Layout settings

Item	Description
Media layout name	Allows you to set a name for a new paper layout settings. Enter a name to set.
Defined media layout	If one or more sets of user-defined paper layout settings already exist, they are listed here.
Media form	Allows you to select a media form.
Layout Information	Allows you to specify a width and length of a label, and a gap between labels. Available setting items in [Layout Information] varies by media form. Before setting [Layout Information], select the media form.



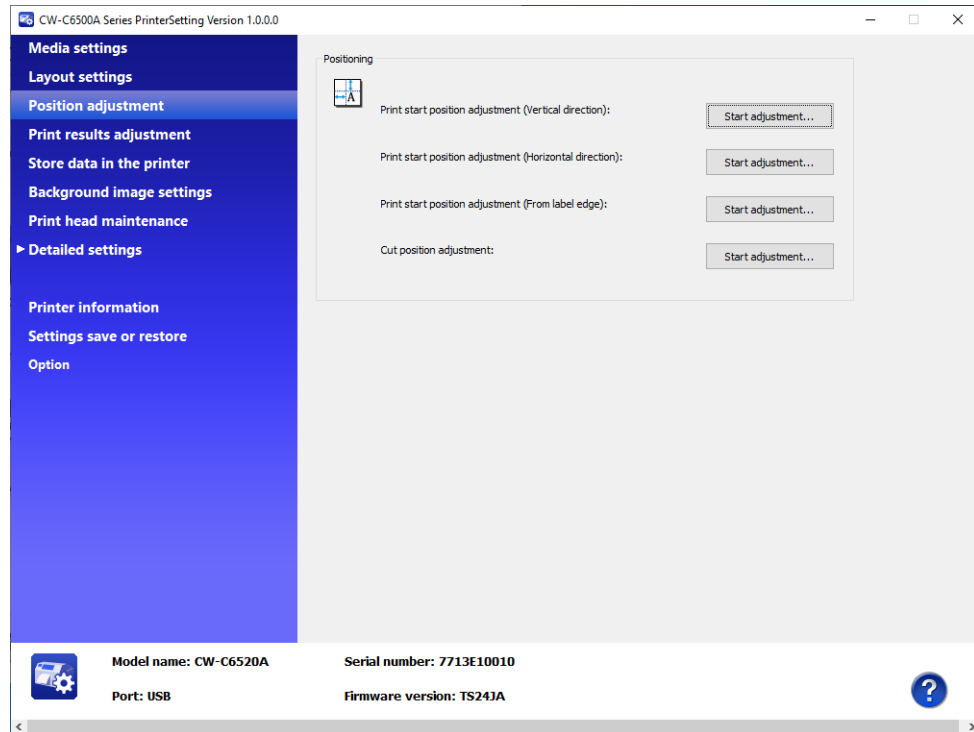
When label length is long, length of printed image may be shorter than the specified length depending on paper used. It causes an extra margin on the bottom of a label (bottom means rear end in the paper feed direction). If you want to reduce the margin, try the following method.

Step 1: Examine print results on labels.

Step 2: Add the length of the extra margin to the label length in Layout settings.

Position adjustment

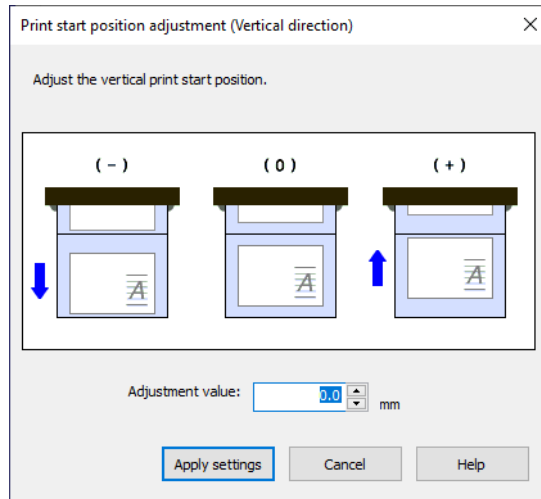
Allows you to adjust print start position and cut position.



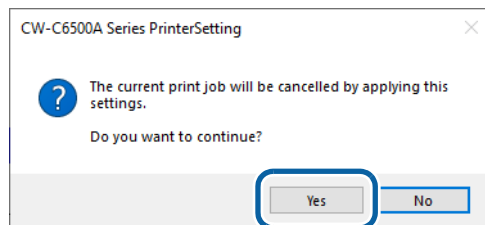
Item		Description
Positioning	Print start position adjustment (Vertical direction)	Allows you to adjust the print start position in the vertical direction. Adjustment procedure "Start adjustment" on page 130
	Print start position adjustment (Horizontal direction)	Allows you to adjust the print start position in the horizontal direction. Adjustment procedure "Start adjustment" on page 130
	Print start position adjustment (From label edge)	Allows you to adjust the print start position from the leading edge of a continuous paper. Adjustment procedure "Start adjustment" on page 130
	Peel position adjustment (Manual) (Peeler model only)	Allows you to adjust the manual label peeling position. Adjustment procedure "Start adjustment" on page 130
	Peel position adjustment (Auto) (Peeler model only)	Allows you to adjust the auto label peeling position. Adjustment procedure "Start adjustment" on page 130
	Cut position adjustment (Auto cutter model only)	Allows you to adjust the cut position. Adjustment procedure "Start adjustment" on page 130

Start adjustment

- 1 The window shown below appears when you click [Start adjustment].
(The window is of Print start position adjustment (Vertical direction).)



- 2 Enter a value in the [Adjustment value] box, and then click [Apply settings].
- 3 A confirmation window appears. If you click [Yes], the change is applied.



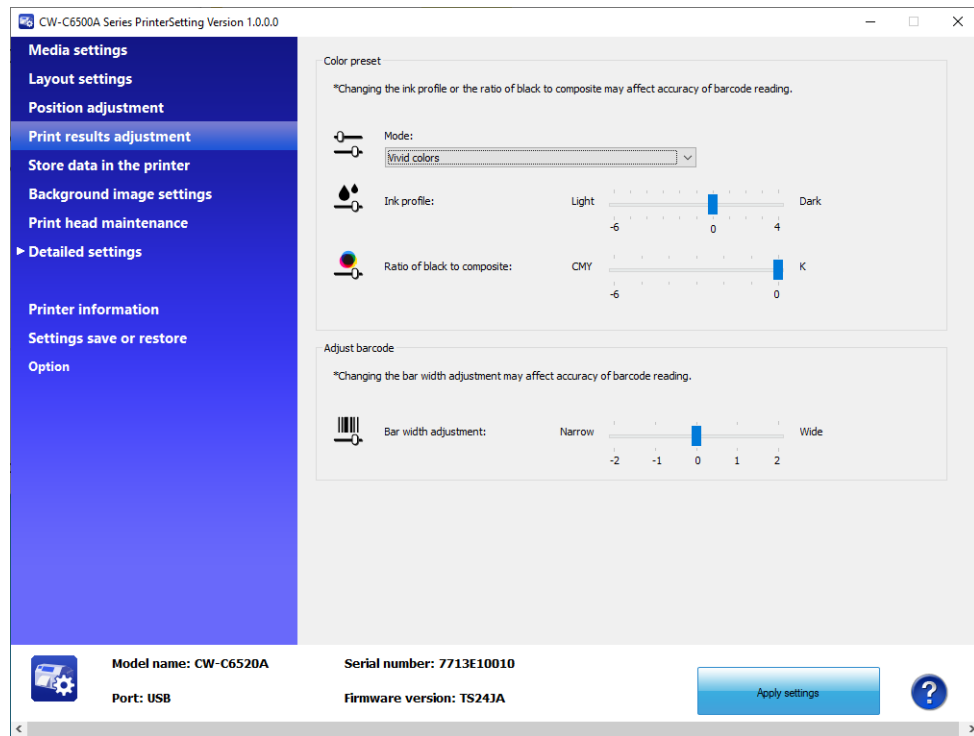
- 4 The result is displayed. Click [OK].
- 5 Print on some labels to check the position is corrected as intended.

Print results adjustment

Allows you to adjust colors and barcode.



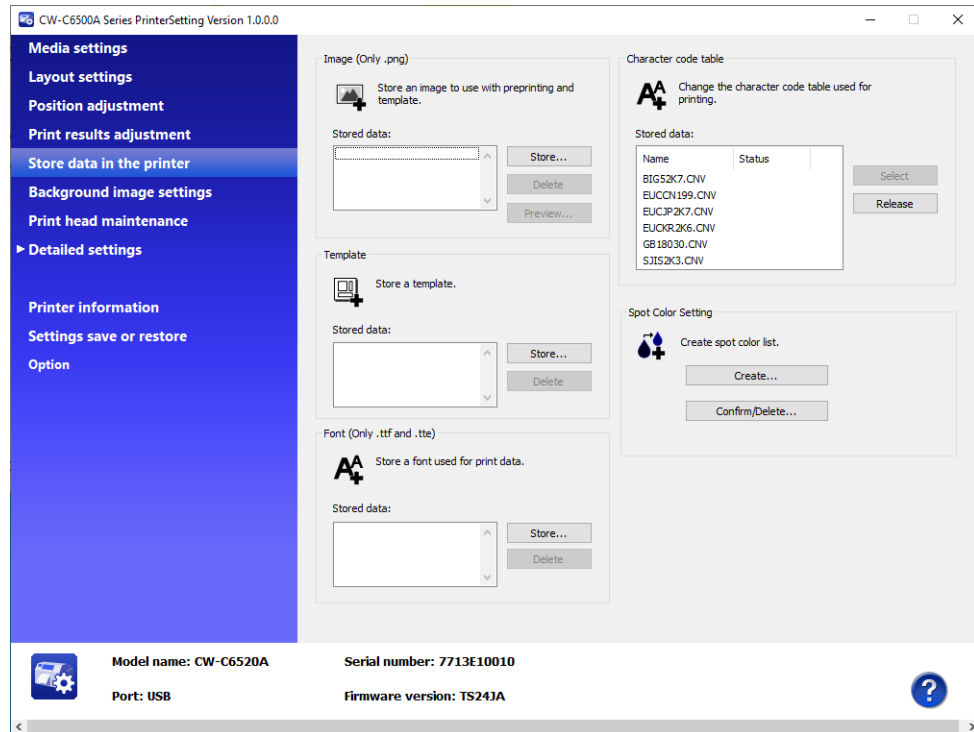
This is not displayed if you start PrinterSetting from the printer driver.



Item		Description
Color preset	Mode	Allows you to change the correction method.
	Ink profile	Allows you to adjust print density. To ensure print quality, adjust this when you change paper.
	Ratio of black to composite	Allows you to set the ratio of black to composite.
Adjust barcode	Bar width adjustment	When using a built-in barcode font, use this to adjust the bar width.

Store data in the printer

Allows you to register images, templates, fonts, character code tables, and spot colors to the printer.



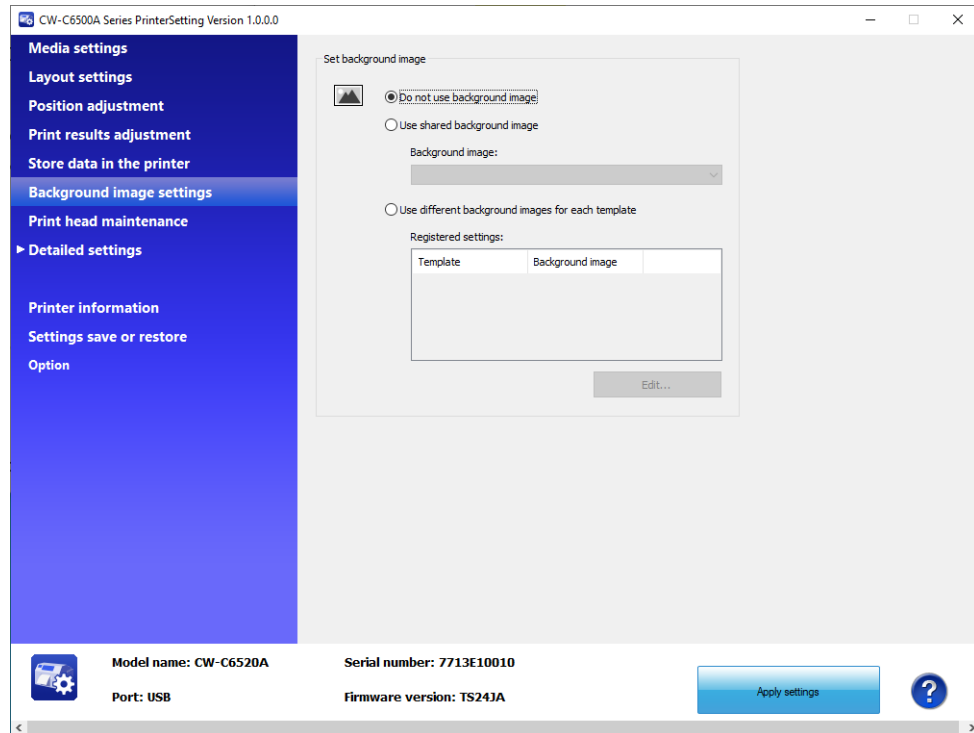
Item	Description
Image (Only .png)	You can register images to be used for preprinting or templates.
Template	Allows you to register templates.
Font (Only .ttf and .tte)	Allows you to register fonts to be used in print data.
Character code table	Allows you to register character code tables to use when printing.
Spot color table	Allows you to create spot color setting files.

Background image settings

Allows you to configure a background image.



- Use this function when using the following software.
 - * Windows driver from Zebra Technologies Corporation
 - * A commercially available label printing application that supports this printer
 - * An application that directly controls ZPL II or ESC/Label commands
- This is not displayed if you start PrinterSetting from the printer driver.

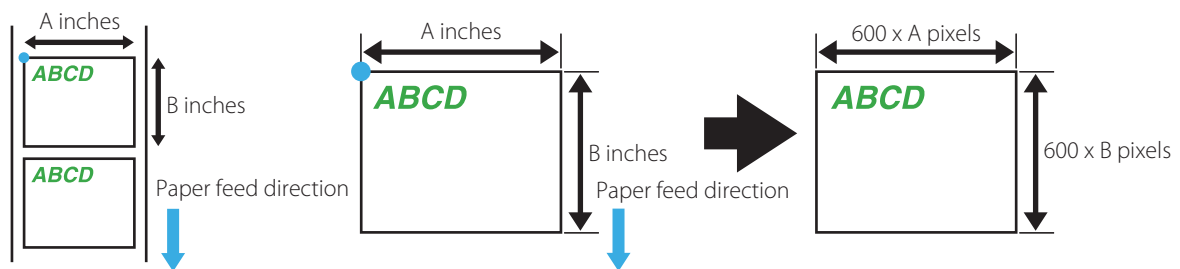


Item		Description
Set back-ground image	Do not use background image	Select this when you do not want to print a background image.
	Use shared background image	The specified image is printed as a background image in normal printing mode. If you print using a template, the image is not printed.
	Use different back-ground images for each template	If you print using a template, the image specified for the selected template is printed. If you do not use a template, the image is not printed.

Background image

Creating a background image

- 1 Prepare an image file in PNG format that has resolution appropriate for printing by the printer.
See ["Product Specifications" on page 223](#).
- 2 Replace an image according to the media size.



Make sure to match the resolution of the image with print resolution.

- 3 Save the image file in PNG format.

Registering and specifying a background image

Register a background image using PrinterSetting (["Store data in the printer" on page 132](#)).

Set the background image to print (["Background image settings" on page 133](#)).

Printing the background image

The background image is printed with the following software.

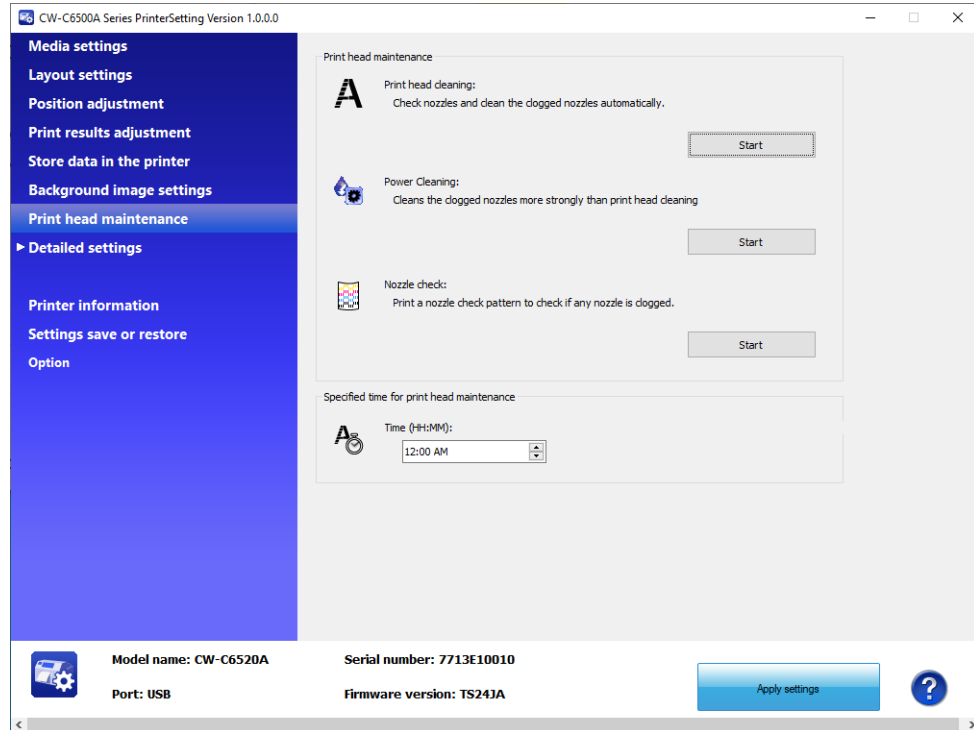
- Windows driver from Zebra Technologies Corporation
- A commercially available label printing application that supports this printer
- An application that directly controls ZPL II or ESC/Label commands



The Epson printer driver does not support printing a background image.

Print head maintenance

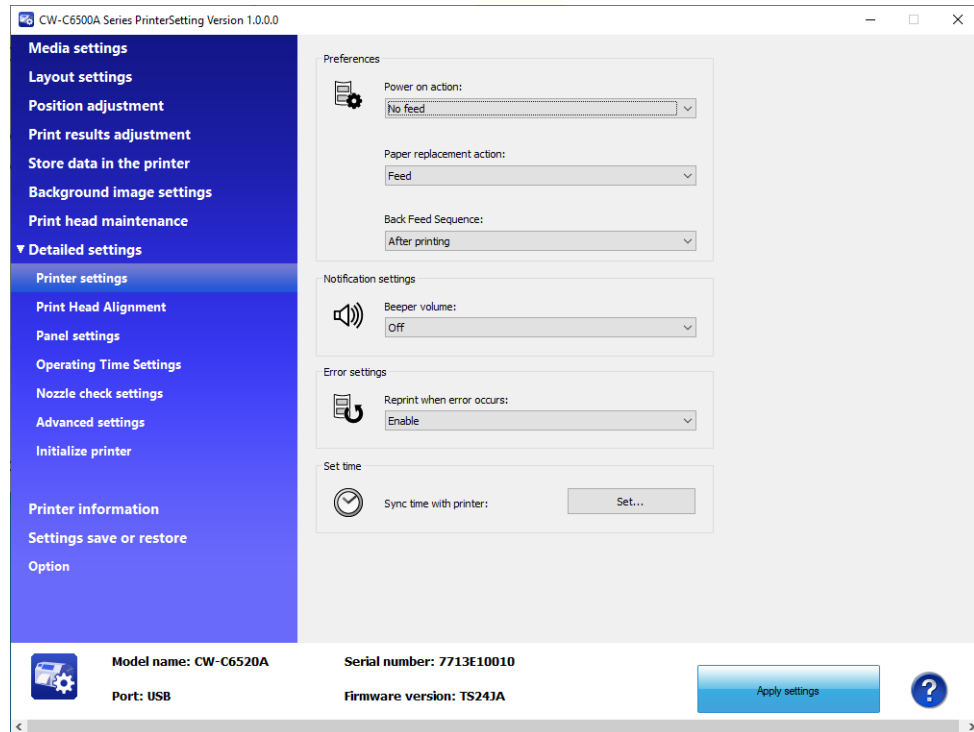
Allows you to run a print head cleaning or nozzle check, and make settings for periodic cleaning.



Item		Description
Print head maintenance	Print head cleaning	Runs a nozzle check and clears nozzle clogging. Click [Start] to run the cleaning.
	Power Cleaning	Clears nozzle clogging by running a cleaning that is more powerful than [Print head cleaning]. Click [Start] to run the cleaning.
	Nozzle check	The nozzle check patterns are printed to allow you to check print nozzles for clogging. Click [Start] to print the nozzle check pattern.
Specified time for print head maintenance		Allows you to set a time for running the cleaning. Specify the time in the [Time (HH:MM)] entry box.

Printer settings

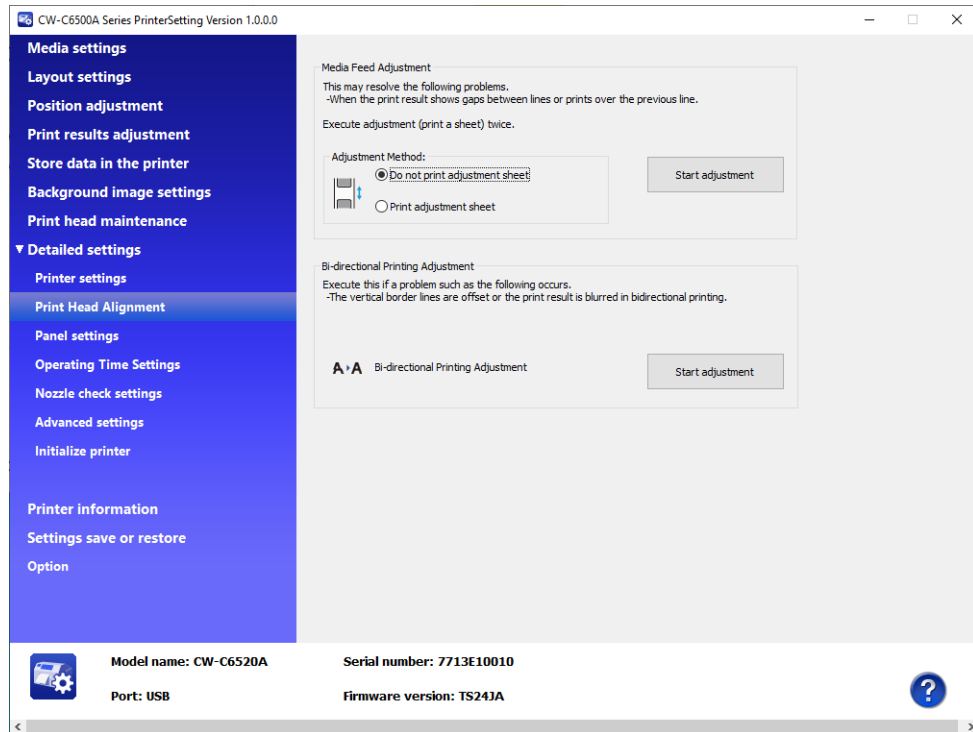
Allows you to configure the printer settings.



Item		Description
Preferences	Power on action	Select a printer action when the printer is powered on.
	Paper replacement action	Select a printer action when paper is replaced.
	Back Feed Sequence	Select the back feed timing.
Notification settings		Adjust the volume of the buzzer.
Error settings		Set whether or not to reprint when an error occurs.
Set time		Set the date and time settings of the printer.

Print Head Alignment

Allows you to adjust the print head.



Item	Description
Media Feed Adjustment	Carry out this adjustment when white or black banding/streaks appear on printouts. Adjustment procedure ↗ "Media Feed Adjustment" on page 138
Bi-directional Printing Adjustment	Carry out this adjustment when printed lines are skewed or misaligned, or printed text looks blurred. Adjustment procedure ↗ "Bi-directional Printing Adjustment" on page 140

Media Feed Adjustment

This allows you to adjust paper feeding when white or black banding/streaks appear on printouts.

Adjustment method	Description
Do not print adjustment sheet	Select this method if you do not have die-cut label, continuous paper, or full-page label paper with a length of 66.7 mm or longer. Prepare print data that you can easily check banding or streaks on printouts, and then configure the settings by printing and adjusting repeatedly.
Print adjustment sheet	Select this method to print a preset patterns for adjustment on die-cut label, continuous paper, or full-page label paper with a length of 66.7 mm or longer, and carry out the adjustment using the printed patterns.



- When printing for the Media Feed Adjustment, keep the printer settings unchanged from the settings you usually use.
- For the peeler model, make sure to load paper correctly so that it matches the setting in [Settings for Paper Handling After Print].
 - * For [Auto apply] or [Manual apply]: pass the paper through the peeler.
 - * For [Rewind]: do not pass the paper through the peeler.

Do not print adjustment sheet

- 1 Prepare print data that you can easily check banding or streaks on printouts.
- 2 Print the prepared data from the printer.
- 3 Select [Do not print adjustment sheet] from [Adjustment Method], and then click [Start adjustment].
- 4 The first Media Feed Adjustment window appears. Look at the print results and then select a setting value.

After selecting a setting value, click [OK].

If there are gaps (white banding), make the adjustment in the + direction.

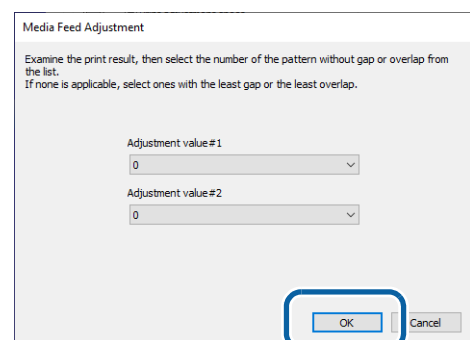
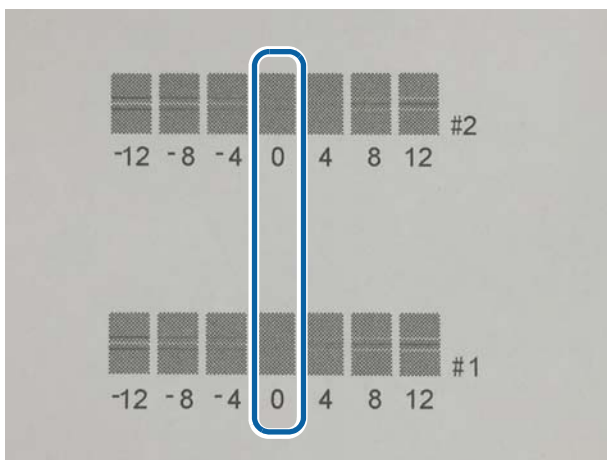
If there is overlapping in the print results (black banding), make the adjustment in the – direction.

The adjustment increment is 0.0105 mm (1/2400 inch).

- 5 An adjustment start confirmation window appears. Click [Yes].**
The second Media Feed Adjustment window appears.
- 6 In the same way as step 4, look at the print results and then select a setting value.**
- 7 When adjustment is complete, a complete window appears. Click [OK].**
- 8 Print the data prepared in step 1 again.**
- 9 Check the print results.**
If gaps are no longer conspicuous, the setting is complete.
To make further adjustment, repeat steps 3 to 9.

Print adjustment sheet

- 1 Load die-cut label, continuous paper, or full-page label paper with a length of 66.7 mm or more into the printer.**
- 2 Select [Print adjustment sheet] from [Adjustment Method], and then click [Start adjustment].**
- 3 A confirmation window to print the adjustment sheet appears. Check that paper is loaded in the printer and then click [OK].**
The adjustment sheet is printed and the first Media Feed Adjustment window appears.
- 4 Check the sheet and then select the number for the pattern with the least gaps or overlapping in each of #1 and #2 groups, and then click [OK].**
Adjustment sheet print example (for this sheet, select "0" for both #1 and #2 groups.)



- 5 A confirmation window to print the adjustment sheet appears again. Click [Yes].**
The adjustment sheet is printed and the second Media Feed Adjustment window appears.

- 6** In the same way as step 4, look at the print results and then select a setting value.
- 7** An adjustment start confirmation window appears. Click [Yes].
- 8** When adjustment is complete, a complete window appears. Click [OK].

Bi-directional Printing Adjustment

When printed vertical or horizontal lines look skewed or misaligned, or when printed text looks blurred, perform the Bi-directional Printing Adjustment.

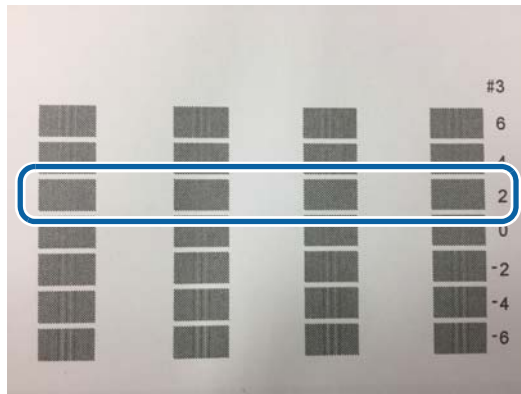
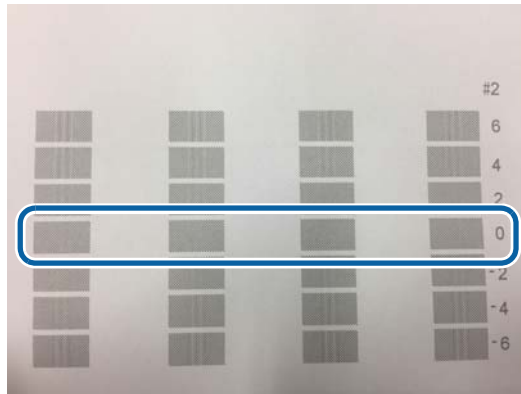
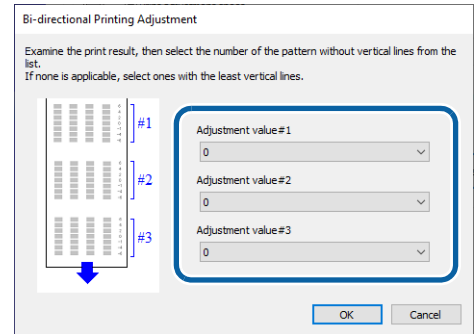
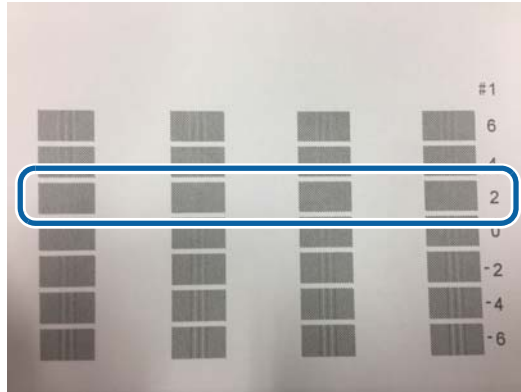


Whether or not to perform bi-directional printing can be set in [Print Quality] - [Advanced] - [Bidirectional Printing] on the printer driver.

- 1** Load die-cut label, continuous paper, or full-page label paper with a length of 66.7 mm or more into the printer.
- 2** Click [Start adjustment].
A confirmation window to print the sheet for Bi-directional Printing Adjustment appears.
- 3** Check that paper is loaded in the printer and then click [OK].
The adjustment sheet is printed and the bi-directional printing adjustment window appears.

- 4** Check the sheet and then select the number for the pattern with the least gaps or overlapping in each of #1, #2, and #3 groups, and then click [OK].

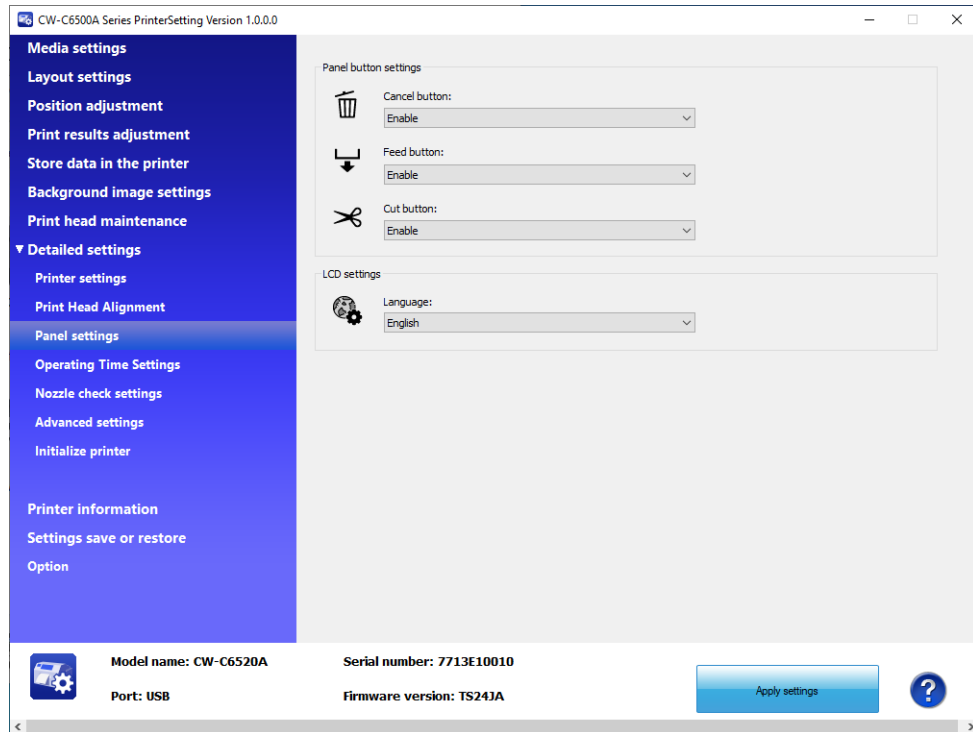
Adjustment sheet print example (for this sheet, select "2" for #1 group, select "0" for #2 group, and select "2" for #3 group.)



- 5** An adjustment start confirmation window appears. Click [Yes].
- 6** When adjustment is complete, a complete window appears. Click [OK].

Panel settings

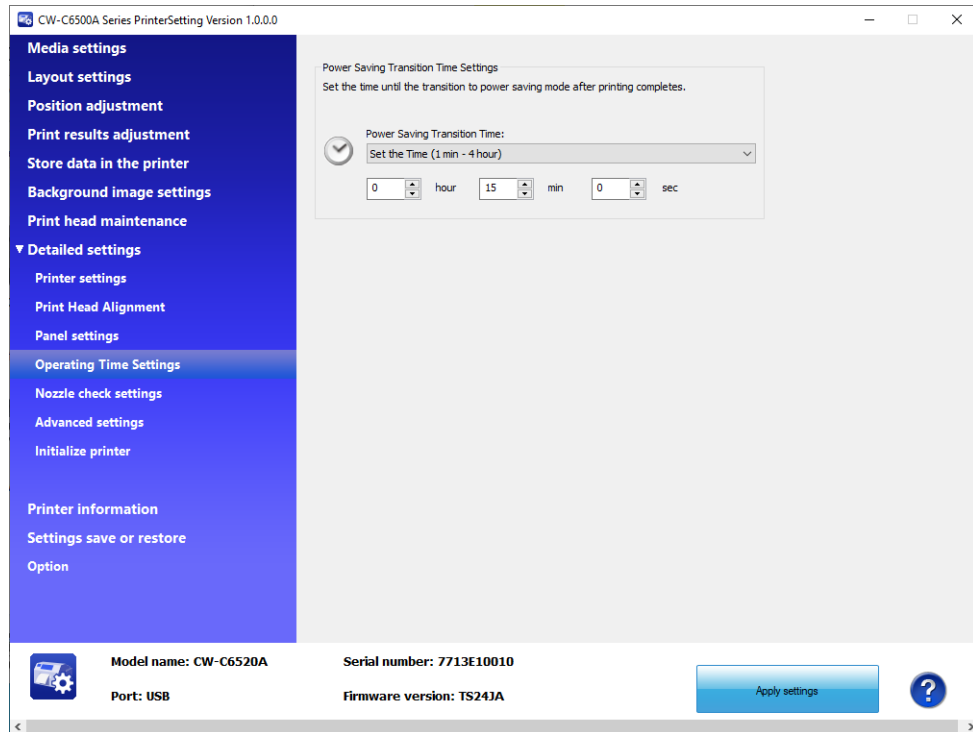
Allows you to configure the panel settings.



Item		Description
Panel button settings	Cancel button	Select whether to enable or disable the cancel button.
	Feed button	Select whether to enable or disable the feed button.
	Cut button (Auto cutter model only)	Select whether to enable or disable the cut button.
LCD settings		Select the language to display.

Operating Time Settings

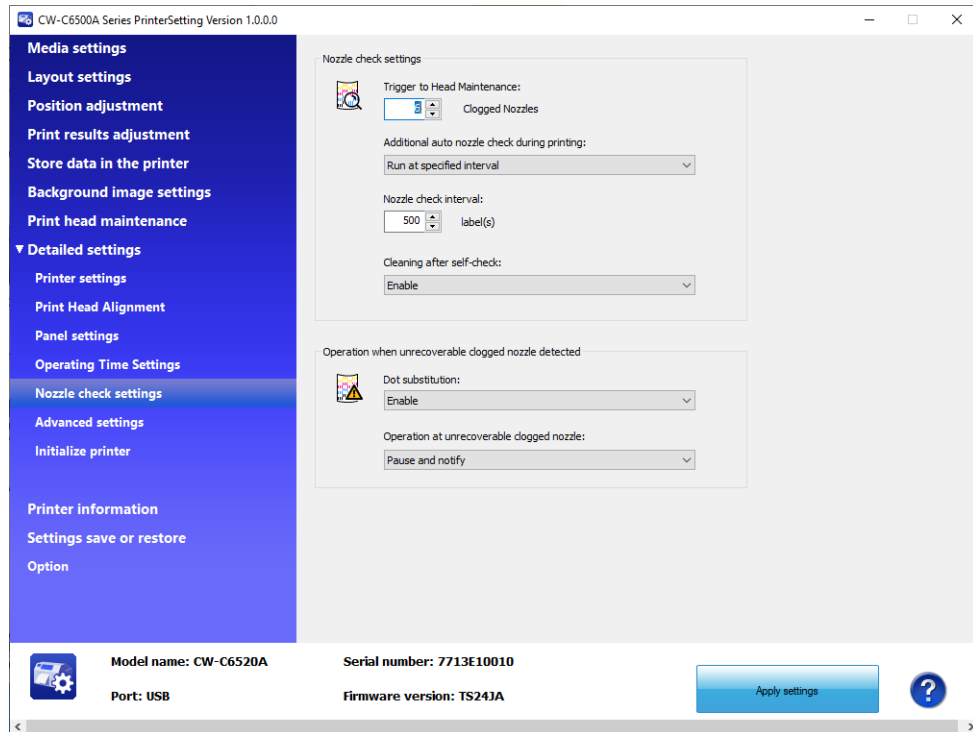
Allows you to change the power saving settings.



Item	Description
Power Saving Transition Time Settings	Set a time period to let the printer enter into the power saving mode after completion of printing.

Nozzle check settings

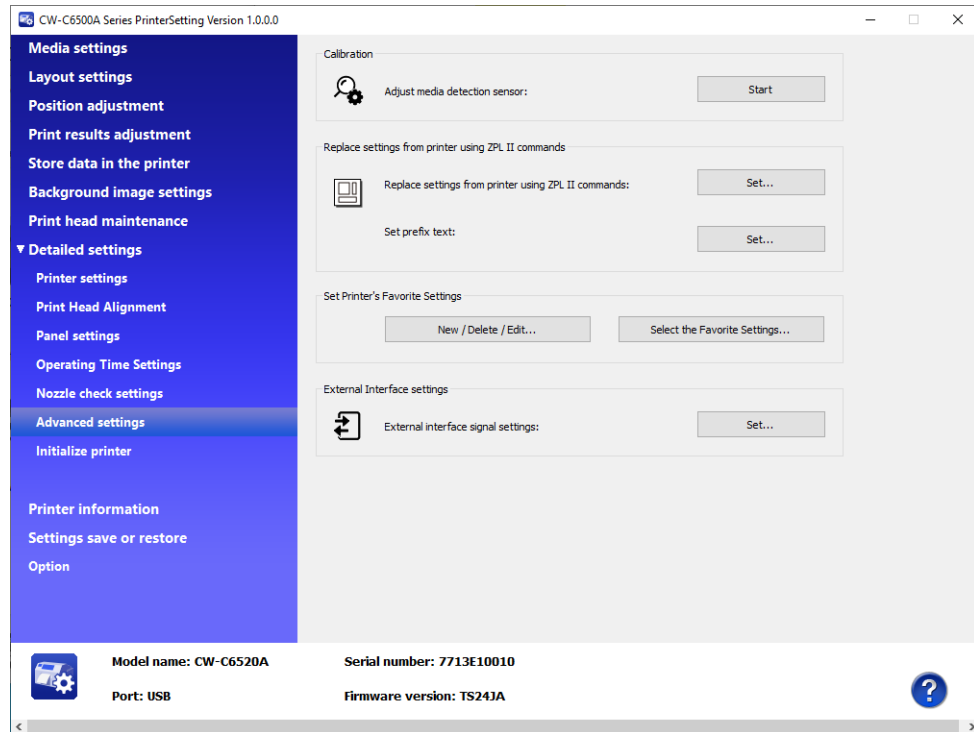
Allows you to change the nozzle check settings.



Item		Description
Nozzle check settings	Trigger to Head Maintenance	Specify the maximum number of clogged nozzles that is allowed to continue printing.
	Additional auto nozzle check during printing	Select whether to run an auto nozzle check during printing.
	Nozzle check interval	When you have enabled [Additional auto nozzle check during printing], set an interval between checks.
	Cleaning after self-check	Select whether to run an auto cleaning after self-check.
Operation when unrecoverable clogged nozzle detected	Dot substitution	Select whether to enable or disable the Dot substitution function.
	Operation at unrecoverable clogged nozzle	Select an operation when unrecoverable clogged nozzles are detected.

Advanced settings

Allows you to configure the advanced printer settings.



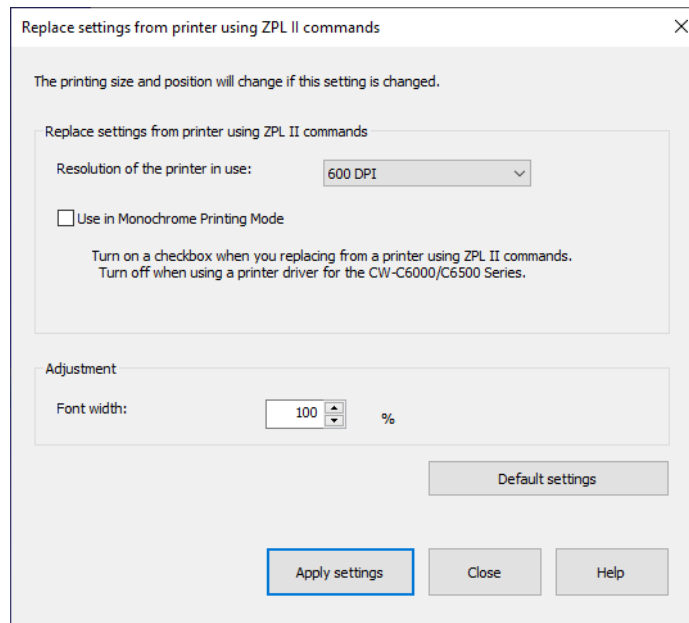
Item		Description
Calibration		Allows you to carry out calibration of sensors.
Replace settings from printer using ZPL II commands	Replace settings from printer using ZPL II commands	Allows you to make and apply settings for replacing from printer using ZPL II commands. The "Replace settings from printer using ZPL II commands" window appears when you click [Set...]. See "Replace settings from printer using ZPL II commands" on page 146.
	Set prefix text	Allows you to set prefix text.
Set Printer's Favorite Settings		Allows you to register favorite settings to the printer, or edit the settings. See "Registering Favorite Settings" on page 147.
External I/O settings		Allows you to set signals for External I/O.

Replace settings from printer using ZPL II commands

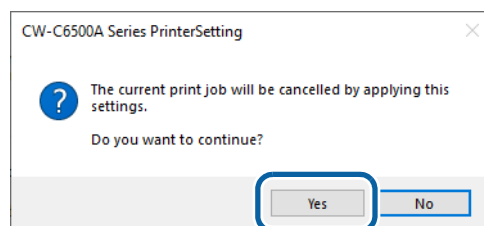


If you click [Default settings], the default settings of the printer are applied on the window. Then click [Apply settings] to apply the default settings.

- 1 Click [Set...] for [Replace settings from printer using ZPL II commands] to open the setting window.



- 2 Set a resolution that is the same as that of the printer using ZPL II commands, and select the check box for [Use in Monochrome Printing Mode]. Click [Apply settings].
- 3 A confirmation window appears. Click [Yes] to apply the settings.



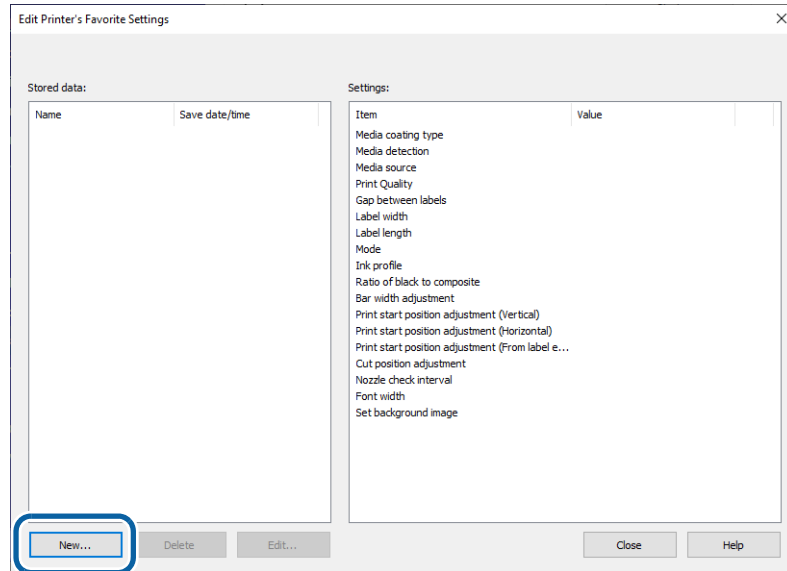
- 4 The result is displayed. Click [OK].



For the [Font width] setting, check printouts and change it if needed. For more information on replacing printer, see "[Changing Printer Settings and Replacing Printer](#)" on page 216.

Registering Favorite Settings

- 1 Click [New/Delete/Edit] in [Set Printer's Favorite Settings].
- 2 The "Edit Printer's Favorite Settings" window appears. Click [New...].



- 3** The “Register Printer’s Favorite Settings” window appears. Enter a name for the settings in the [Favorite Settings Name] box, and make the settings in [Printer’s Favorite Settings]. When finished, click [Set].



- For the favorite settings name, you can use up to 15 ASCII (20h to 7Eh) characters excluding ^, ~, ;, comma, and period.
- Up to 100 sets of favorite settings can be registered.

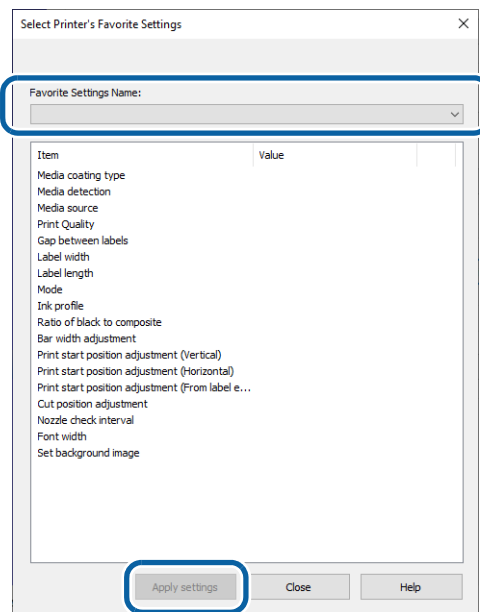
When you want to reset your settings to the default settings, click [Default settings].

- 4** Click [Close] to return to the “Edit Printer’s Favorite Settings” window. The favorite settings you added are displayed in the [Stored data] box.

Applying Favorite Settings

Follow the procedure below to apply the registered favorite settings to the printer.

- 1 Click [Select the Favorite Settings] in [Set Printer's Favorite Settings].
- 2 The "Select Printer's Favorite Settings" window appears. In the [Favorite Settings Name] box, select a set of favorite settings you want to apply to the printer, and then click [Apply settings].

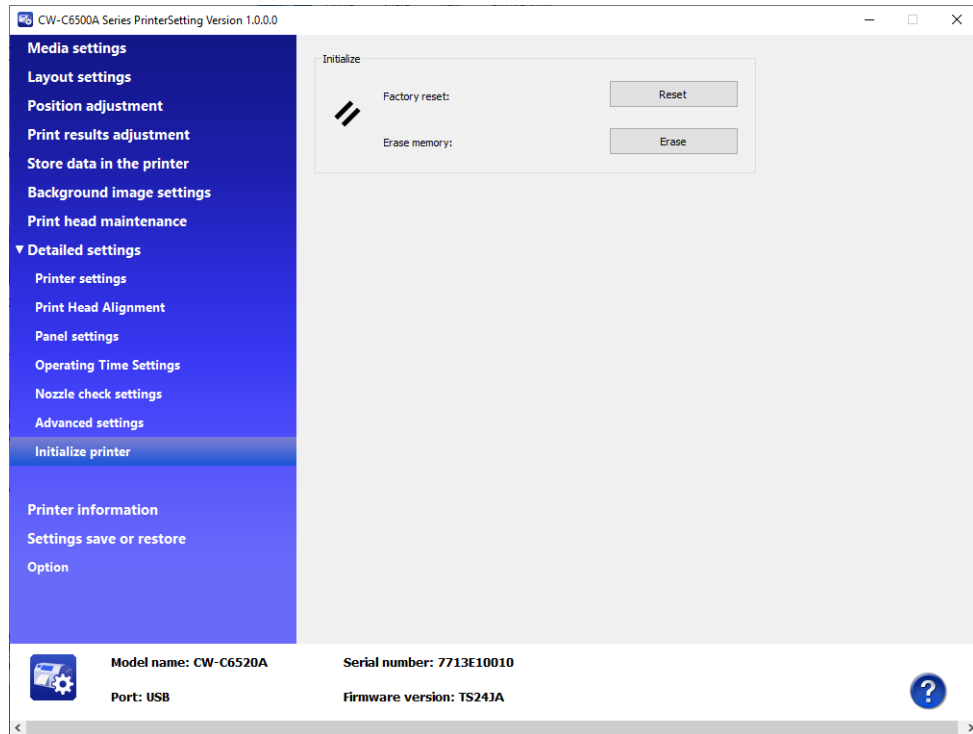


Initialize printer

Allows you to initialize the printer.



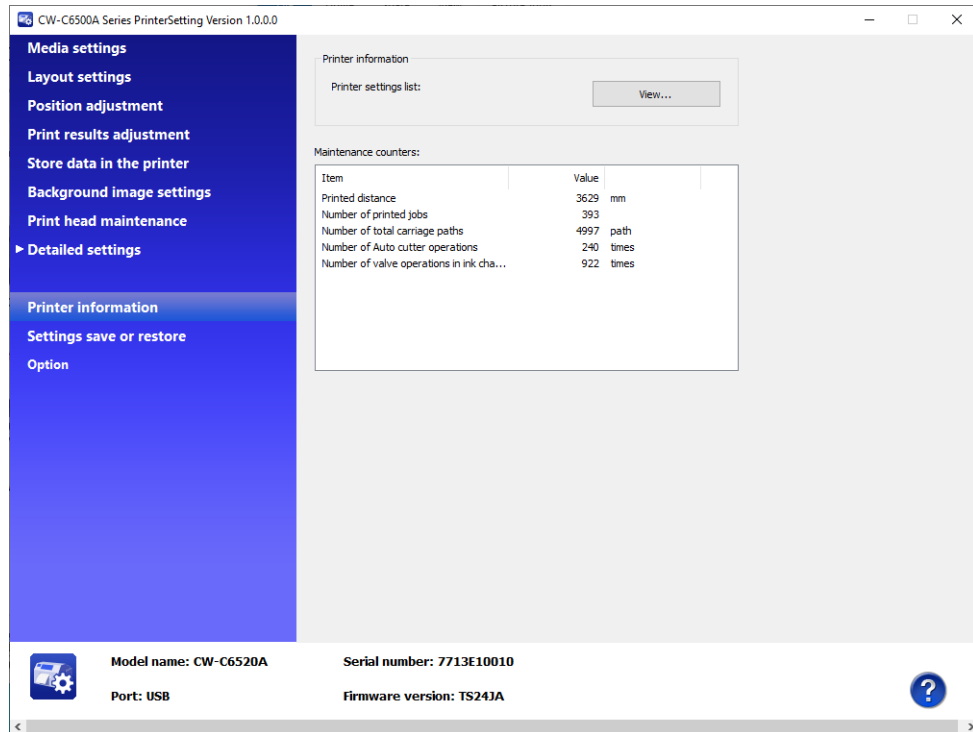
When the printer is initialized using the [Initialize] menu, all image files and setting files you have registered are deleted.



Item		Description
Initialize	Factory reset	Returns the printer settings to their defaults.
	Erase memory	Initializes the extended memory.

Printer information

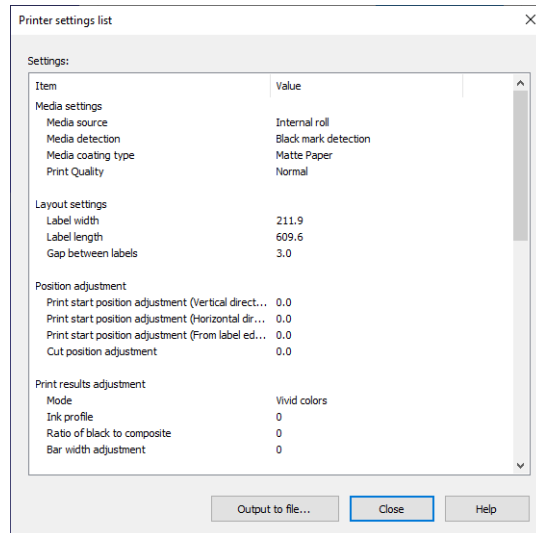
Displays information of the printer.



Item		Description
Printer information	Printer settings list	Click [View...] to see the current settings of the printer. See " Printer settings list " on page 152.
Maintenance counters		Allows you to check the maintenance counters.

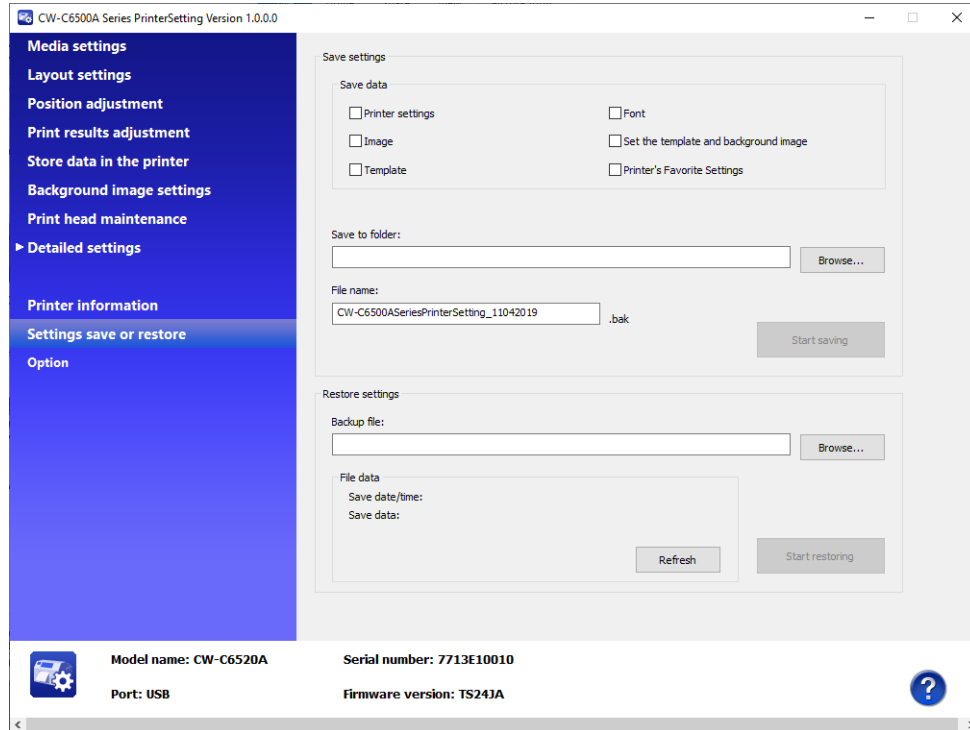
Printer settings list

The “Printer settings list” window appears when you click [View...]. You can save the settings as a file by clicking [Output to file...].



Settings save and restore

Allows you to save the settings of the printer and restore the saved settings.



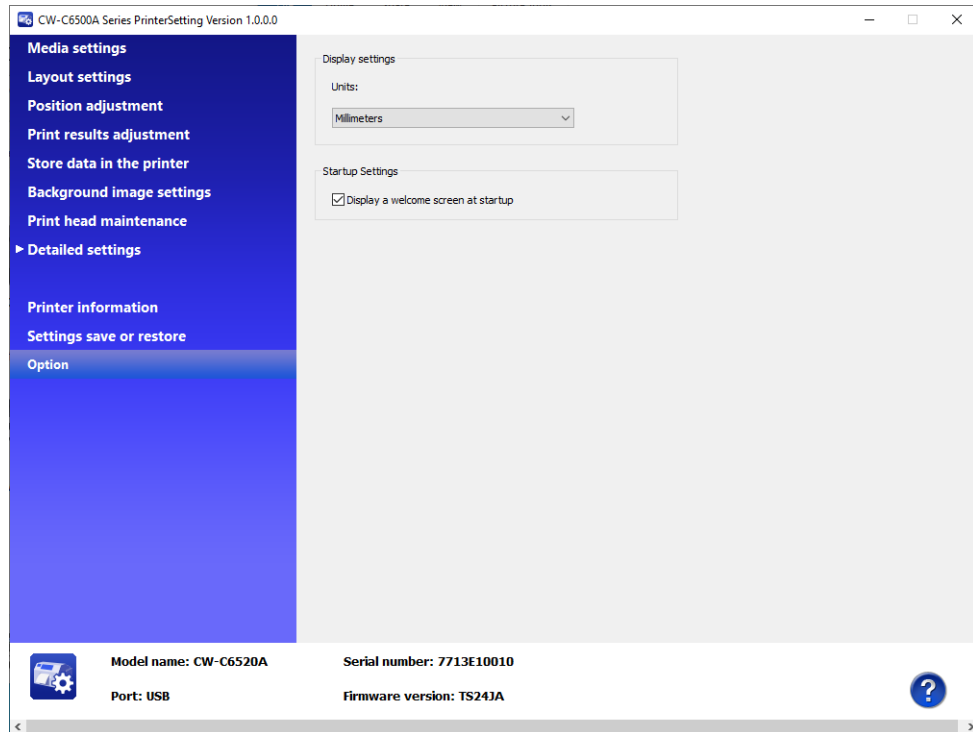
Item		Description
Save settings	Save data	Select setting items to save. Select the check box for the items.
	Save to folder	Specify a folder to save the file.
	File name	Enter a file name.
	Start saving	Click [Start saving] after selecting items to save, specifying a file name and a folder to save. The selected settings will be saved.
Restore settings	Backup file	Select a setting file you have saved.
	File data	Information of the selected file is displayed.
	Start restoring	Click [Start restoring] after selecting a file to restore. The settings of the selected file will be applied.



It may take time depending on the size of the file.

Option

A unit of length used in PrinterSetting and start up setting can be changed.



Item		Description
Display settings	Units	Select a unit of length.
Startup Settings	Display a welcome screen at startup	Select whether to display welcome screen at startup.



The [Units] setting is for PrinterSetting itself. It cannot be applied to the printer and the printer driver.

Operation Panel Settings

Setting menu			Settings	Default
Paper Settings	Media Type		<ul style="list-style-type: none"> • Matte Paper • Synthetic • Glossy Paper • Glossy Film • High Glossy Paper 	Matte Paper
	Media Detect		<ul style="list-style-type: none"> • Gap • Black Mark • None 	Gap
	Media Source		<ul style="list-style-type: none"> • Internal • Rear Feed 	Internal
	Media Form		<ul style="list-style-type: none"> • Roll • Fanfold 	Roll
Media Layout	Label Width	ColorMax Series	21.4 to 108.0 [mm] / 0.84 to 4.25 [inch]	108.0 [mm] / 4.25 [inch]
		ColorMaxXL Series	21.4 to 211.9 [mm] / 0.84 to 8.34 [inch]	211.9 [mm] / 8.34 [inch]
	Label Length	ColorMax Series	8 to 609.6 [mm] / 0.31 to 24 [inch]	152.4 [mm] / 6 [inch]
		ColorMaxXL Series	8 to 609.6 [mm] / 0.31 to 24 [inch]	304.8 [mm] / 12 [inch]
	Gap between Labels		Black mark/gap: 2 to 6 [mm] / 0.08 to 0.24 [inch]	3 [mm] / 0.12 [inch]
			None: 0 to 6 [mm] / 0 to 0.24 [inch]	3 [mm] / 0.12 [inch]
Print Position Adjustment	Top Position		± 10.9 [mm] / ± 0.43 [inch]	0 [mm] / 0 [inch]
	Left Position		± 1.5 [mm] / ± 0.06 [inch]	0 [mm] / 0 [inch]
	Paper Top Position Adjustment		± 1.5 [mm] / ± 0.06 [inch]	0 [mm] / 0 [inch]
	Left Margin	ColorMax Series	± 108.0 [mm] / ± 4.25 [inch]	0 [mm] / 0 [inch]
		ColorMaxXL Series	± 211.9 [mm] / ± 8.34 [inch]	0 [mm] / 0 [inch]
Media Size Notice			<ul style="list-style-type: none"> • On • Off 	Off

Setting menu		Settings	Default		
Maintenance	Print Head Nozzle Check		-		
	Print Head Cleaning		-		
	Power Cleaning		-		
	Ink Cartridge Replacement		-		
	Maintenance Box Replacement		-		
	Print Head Alignment		<ul style="list-style-type: none"> • Vertical Alignment • Horizontal Alignment 	-	
	Calibration		<ul style="list-style-type: none"> • Simple Media Detect • Media Detect • Roll Media Tension 	-	
	Nozzle check settings	Nozzle check settings		<ul style="list-style-type: none"> • On • Off 	On
		Nozzle Check Interval		1 to 13000 [copies]	500
		Operation At Clogged Nozzle		<ul style="list-style-type: none"> • Notify • Continue print 	Notify
Threshold Of Clogged Nozzles		0 to 16 [nozzles]	6 [nozzles]		
Cleaning After Nozzle Check		<ul style="list-style-type: none"> • On • Off 	On		
Periodic Cleaning		HH:MM (in increments of 10 min.)	0:00		
General Settings	Basic Settings	LCD Brightness	1 to 5	5	
		Sound	<ul style="list-style-type: none"> • Off • Low • Medium • High • Max 	Medium	
		Error Notice	<ul style="list-style-type: none"> • Off • On 	On	
		Length Unit	<ul style="list-style-type: none"> • mm • inch 	mm	
		Sleep Timer	<ul style="list-style-type: none"> • Off • On (1 to 240 min.) 	On (15 min.)	
		Circuit Breaker Interlock Startup	<ul style="list-style-type: none"> • On • Off 	On	

Setting menu			Settings	Default		
General Settings	Basic Settings	Date/Time Settings	Date/Time	-	-	
			Time Difference	+13:45 to -12:45 (in increments of 15 min.)	-	
		Language		<ul style="list-style-type: none"> • Nederlands • English • Français • Deutsch • Ελληνικά • Italiano • 日本語 • 한국어 • Polski • Português • Русский • 简体中文 • Español • 繁體中文 • Türkçe 	English	
		Background Color		<ul style="list-style-type: none"> • Gray • Black • White 	Black	
		Control Panel Button Settings	Cut (Auto cutter model only)		<ul style="list-style-type: none"> • Enable • Disable 	Enable
			Cancel		<ul style="list-style-type: none"> • Enable • Disable 	Enable
			Feed (Auto cutter model only)		<ul style="list-style-type: none"> • Enable • Disable 	Enable
			Peeler Reset (Peeler model only)		<ul style="list-style-type: none"> • Enable • Disable 	Enable

Setting menu			Settings	Default		
General Settings	Printer Settings	Print Settings	Print Quality	<ul style="list-style-type: none"> • High Speed • Speed • Normal • Quality • Max Quality 	Normal	
			Resolution	<ul style="list-style-type: none"> • 200dpi • 300dpi • 600dpi 	600dpi	
			Com- mand Charac- ter	Control Prefix	0X20 to 7E	0X7E
				Format Command Prefix	0X20 to 7E	0X5E
		Delimiter Characters		0X20 to 7E	0X2C	
		Image Quality	Color Adjustment Mode	<ul style="list-style-type: none"> • High Saturation • No Adjustments 	High Saturation	
			Manual Color Adjust- ments	Light	-25 to +25	0
				Saturation	-25 to +25	0
				Contrast	-25 to +25	0
				Tone -Cyan	-25 to +25	0
				Tone -Magenta	-25 to +25	0
				Tone -Yellow	-25 to +25	0
			Ink Profile	-6 to +4 (in increments of 1)	0	
			Ratio of Black to Composite	-6 to 0 (in increments of 1)	0	
			Dry Time	0 to 5 sec. (in increments of 0.1 sec.)	0	
Nozzle Verification Technology	<ul style="list-style-type: none"> • Enable • Disable 		Enable			
Bar Width Adjustment	- 2 to +2 (in increments of 1)	0				

Setting menu				Settings	Default	
General Settings	Printer Settings	Print Options	Print Mode	For auto cutter model: <ul style="list-style-type: none"> • Cut • Stop at Cut Position • Stop at Peel-Off Position For peeler model: <ul style="list-style-type: none"> • Peel-Off • Peel-Off for Auto Labeler Common: <ul style="list-style-type: none"> • Rewind 	For auto cutter model: <ul style="list-style-type: none"> • Stop at Cut Position For peeler model: <ul style="list-style-type: none"> • Peel-Off 	
			Cut Position (Auto cutter model only)		± 10.8 [mm] / ± 0.425 [inch]	0 [mm] / 0 [inch]
			Peel-Off Position (Peeler model only)	Paste by Hand	± 10.8 [mm] / ± 0.425 [inch]	0 [mm] / 0 [inch]
				Paste by Machine	± 10.8 [mm] / ± 0.425 [inch]	0 [mm] / 0 [inch]
			Set Timing of Back Feed		<ul style="list-style-type: none"> • Back Feed Before Print • Back Feed After Print 	Back Feed After Print
			Reprint		<ul style="list-style-type: none"> • Enable • Disable 	Enable
			Media Hold Pressure		<ul style="list-style-type: none"> • Auto • Manual (1 to 10) 	Auto
			Cancel Action		<ul style="list-style-type: none"> • Job ONLY • Job/RAM Drive 	Job ONLY
			External I/O settings	Reprint	<ul style="list-style-type: none"> • Enable • Disable 	Disable
				End Print Signal	<ul style="list-style-type: none"> • Disable • Mode 1 • Mode 2 • Mode 3 • Mode 4 	Disable
				Printing Signal	<ul style="list-style-type: none"> • Disable • Pulse Mode • Level Mode 	Disable

Setting menu				Settings	Default	
General Settings	Printer Settings	Print Options	Actions when Replacing Media	<ul style="list-style-type: none"> • Feed • Not Feed • Calibration • Short Calibration • Check Media Size 	Feed	
			Actions on Power On	<ul style="list-style-type: none"> • Feed • Not Feed • Calibration • Short Calibration • Check Media Size 	Not Feed	
	Network Settings	Network Status	Wired LAN Status	-	-	
			Print Status Sheet	-	-	
		Connection Check			-	-
		Advanced	Device Name	-	-	
			TCP/IP	-	-	
			Proxy Server	-	-	
			IPv6 Address	<ul style="list-style-type: none"> • Enable • Disable 	Enable	
			Link Speed & Duplex	<ul style="list-style-type: none"> • Auto • 100BASE-TX Auto • 10BASE-T Half Duplex • 10BASE-T Full Duplex • 100BASE-TX Half Duplex • 100BASE-TX Full Duplex 	Auto	
			Redirect HTTP to HTTPS	<ul style="list-style-type: none"> • Enable • Disable 	Enable	
			Disable IPsec/IP Filtering	-	-	
Disable IEEE802.1X	-	-				

Setting menu					Settings	Default	
General Settings	System Administration	Clear Internal Memory Data			-	-	
		Security Settings	Admin Settings	Admin Password	Register		
					Change	-	-
					Reset	-	-
			Lock Setting			<ul style="list-style-type: none"> • Off • On 	Off
		Restore Default Settings	Network Settings			-	-
			Media Detect			-	-
			Roll Media Tension			-	-
			All Settings			-	-
		Language					-
Favorite Settings					-	-	
Supply Status					-	-	
Printer Status/ Print	Print Status Sheet	Configuration Status Sheet			-	-	
		Font List			-	-	
		Barcode List			-	-	
		Image List			-	-	
		Template List			-	-	
	Network					-	-
	Maintenance Counters	Total Length			-	-	
		Length (Reset counter 1)			-	-	
		Length (Reset counter 2)			-	-	
		Total Pages			-	-	
		Pages (Reset counter 1)			-	-	
		Pages (Reset counter 2)			-	-	
		Total CR			-	-	
	Total Auto Cut (Auto cutter model only)			-	-		

WebConfig

WebConfig is an application software that allows you to check or change the printer settings using a web browser on a computer.

To use WebConfig, you need to set up an IP address to the printer in advance.

Connect the computer to the same network as the printer.

EPSON CW-C6520A

Status | Print | Network | Network Security | Product Security | Device Management | Maintenance

Product Status

Product Status
Network Status
Usage Status

English

Printer Status
Available.

BK M C Y

Black (BK) :	SJIC37P-BK
Magenta (M) :	SJIC37P-M
Cyan (C) :	SJIC37P-C
Yellow (Y) :	SJIC37P-Y
Maintenance Box :	SJMB6000/6500

Firmware : 03.59.TS24JA

Refresh [Software Licenses](#)



You can set an administrator password to the printer to prevent the unintended changes being made to the printer settings.

How to Start WebConfig

Start a web browser on a computer or device that is connected via a network, and then type the printer IP address into the browser.

Enable the JavaScript on the browser. Because the communication with the printer uses a self-signed certificate of the printer over HTTPS, a warning message is displayed on the browser when you start WebConfig.

Communication over HTTPS

IPv4: `https://IP address of the printer`

IPv6: `https://[IP address of the printer]`

Communication over HTTP

IPv4: `http://IP address of the printer`

IPv6: `http://[IP address of the printer]`

Examples

IPv4:

`https://192.0.2.111/`

`http://192.0.2.111/`

IPv6:

`https://[2001:db8::1000:1]/`

`http://[2001:db8::1000:1]/`

Spot Color Settings

[Spot Color Settings] allows you to change a specified color to another specified color. First create the color conversion setting file, then when printing, specify the setting file to print with the color conversion applied. Follow the procedure below to create the color conversion setting file.

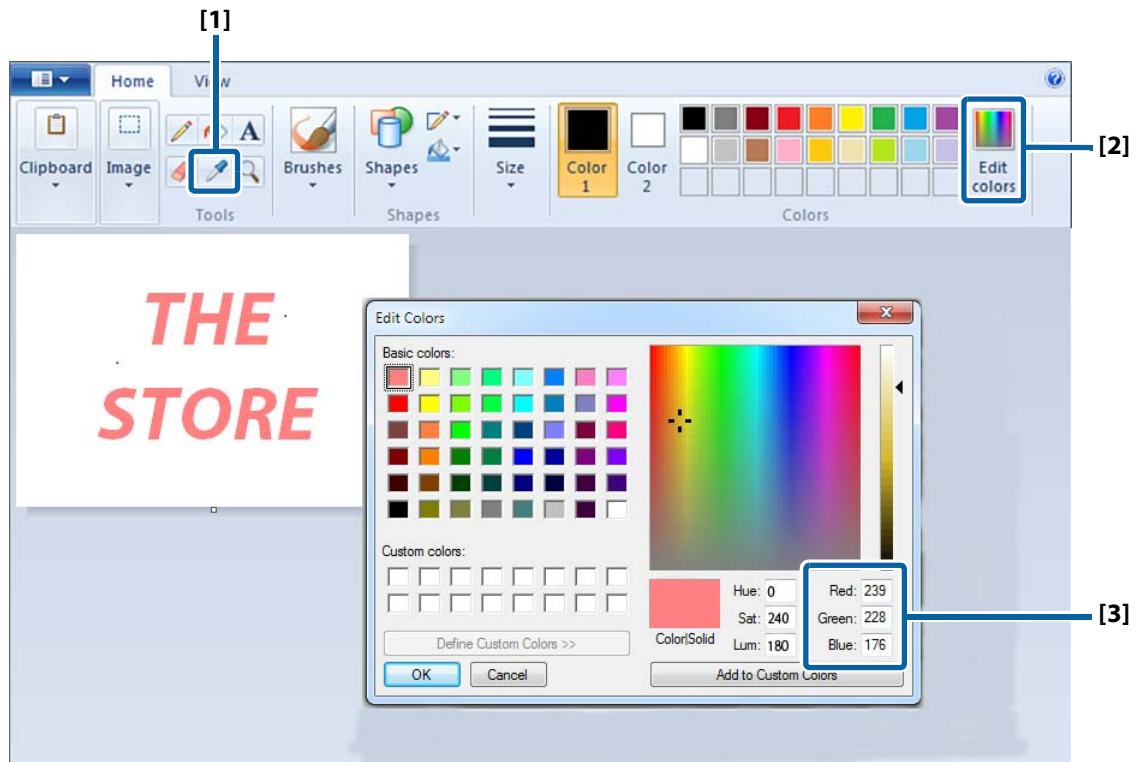


The printer converts all the portions of print data that use the specified RGB settings into the target color. If unintended portions are converted into the target color, slightly change the RGB settings of the portions to make them not to be converted.

Creating Spot Color Setting File

1 Check the RGB settings of a color you want to convert into another color in the print data.

The check method for Microsoft Paint is explained here as an example.



[1] Select the Picker tool, and then click on a color you want to check.

[2] Click the [Edit Colors] button to display the Edit Colors window.

[3] Check the RGB settings of the selected color, and write them down.



The method to check the RGB settings differs by graphic software to another. See the manual or help of the software you use.

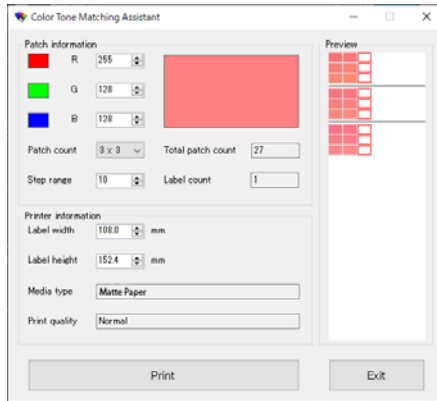
2 Determine RGB settings of a target color.



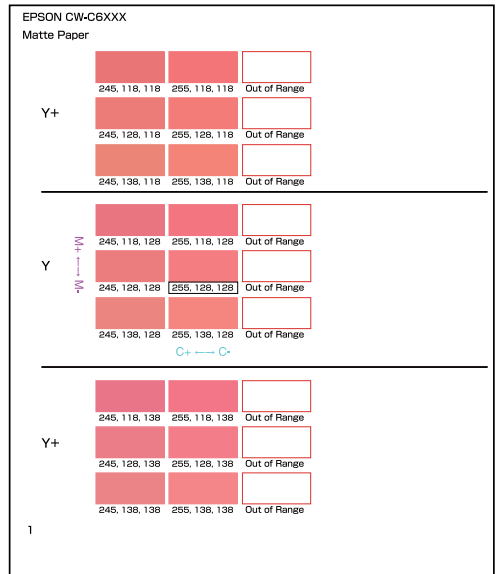
To determine the target color, it is recommended to use “Color Tone Matching Assistant” bundled in the included software disc.

Color Tone Matching Assistant lets you enter the RGB settings of the original color, creates some sample colors by slightly changing the original RGB settings, and then lets you print the samples. You can choose a target color and know its RGB settings on the printout. For more details, see “Color Tone Matching Assistant User’s Guide”.

Color Tone Matching Assistant



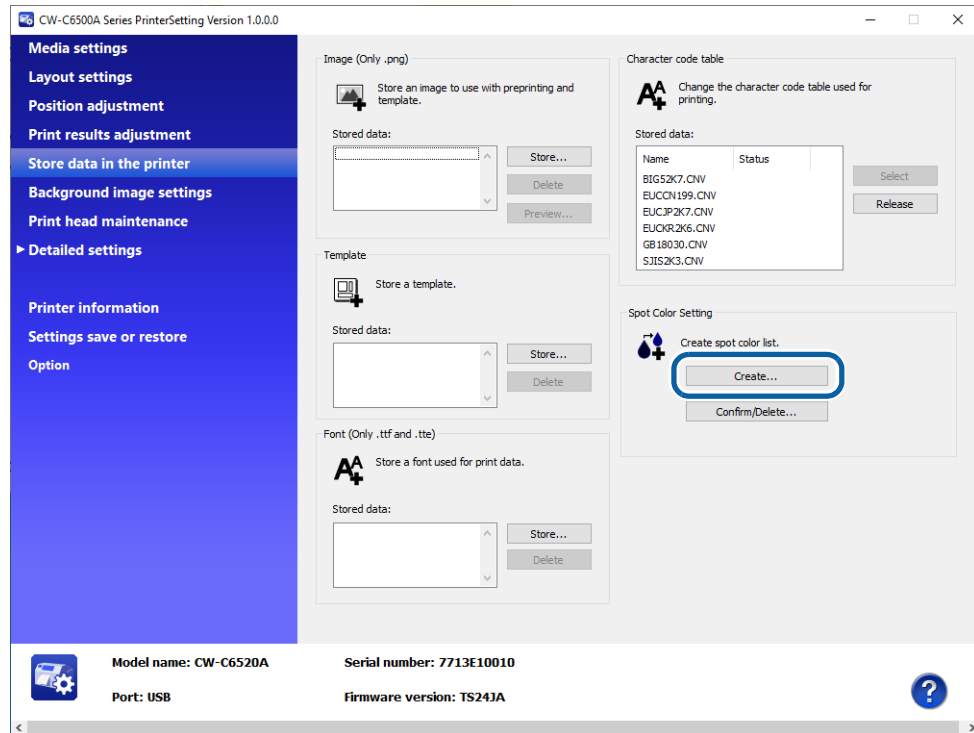
Example of the Sample Colors



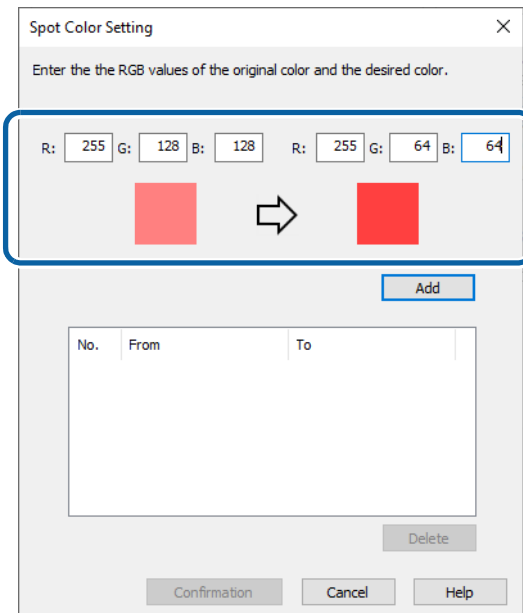
3 Start PrinterSetting.

(["How to Start PrinterSetting"](#) on page 124)

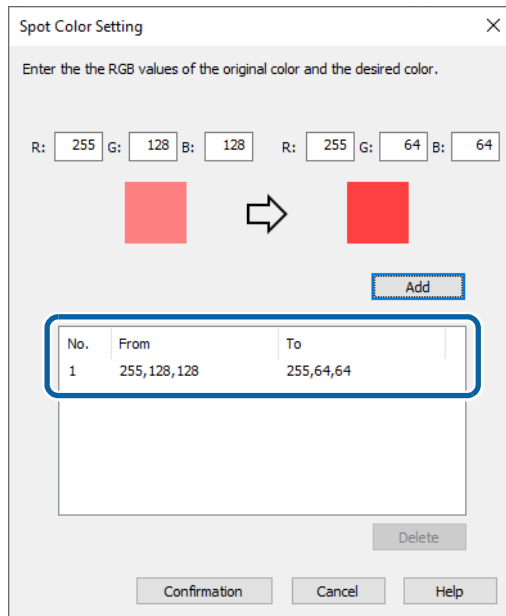
- 4 Select [Store data in the printer].
- 5 Click [Create] button in the [Spot color table] field.



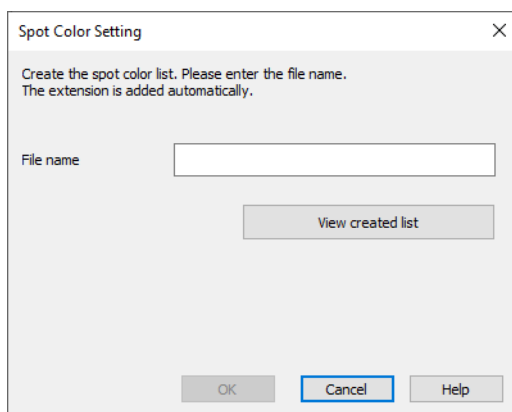
- 6 Enter the original RGB settings and the target RGB settings.



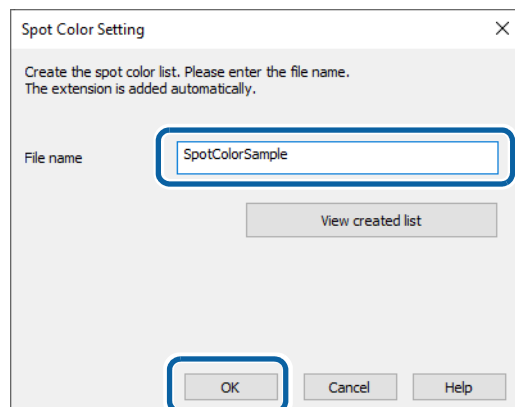
- 7 Click [Add].**
The specified pair of RGB settings will be added in the box.



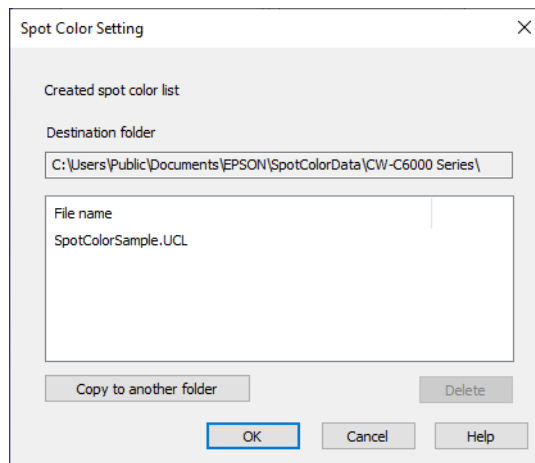
- 8 Click [Confirmation].**
A window to enter a name for the spot color setting is displayed.



- 9 Enter a name for the setting file, then click [OK].**



- 10** When you select [OK] on a successfully saved dialog box, the [Created spot color list] window appears.



If you want to copy the file to another location, click [Copy to another folder].

Creating spot color setting file is now complete.

Printing using the Spot Color Setting File

- 1** Open the printer driver window.
- 2** Select [Spot Color Settings] on the [General] window.
- 3** From the pull-down menu, select a spot color setting file you want to use.



To change the folder to view, click [Update Spot Color List] and change the folder.

- 4** **Print the file.**
The printer driver prints the file after performing the color conversion as specified in the setting file.

Printing using the spot color setting file is now complete.

Color Correction

There are the following three methods for color correction.

- Setting on the printer
- Setting using ICM of Windows OS
- Setting using an application software

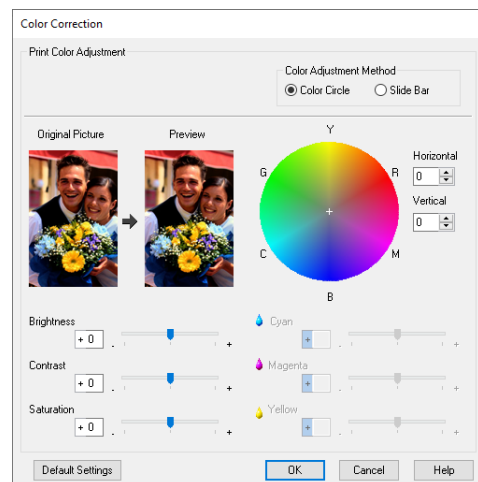
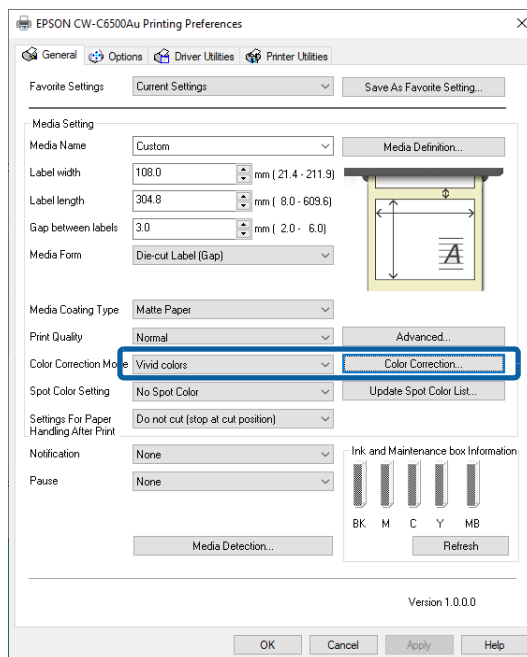
According to which method you use, set [Color Correction Mode] of the printer driver as follows.

- Setting on the printer: Set to [Vivid colors]
- Setting using ICM of Windows OS: Set to [ICM]
- Setting using an application software: Set to [No composite]

Vivid colors

When you click the [Color Correction] button with [Vivid colors] selected, the Color Correction window appears.

Change the color settings comparing the [Original Picture] image and the [Preview] image.



Item		Description
Brightness		Lets you adjust brightness of the entire image.
Contrast		Adjust the contrast of the entire image. When the contrast is increased, bright portions become more bright, and dark portions become more dark. When the contrast is decreased, difference between light and dark is reduced.
Saturation		Lets you adjust saturation (vividness) of the entire image. When the saturation is increased, the feel of the vividness of the image is increased. The more the saturation is decreased, the more the image becomes achromatic closing to gray.
Color Adjustment Method	Color Circle	Click on the circle to adjust the color. You can also adjust color by entering values in the [Horizontal and [Vertical] boxes.
	Slide Bar	You can move the Cyan, Magenta, and Yellow slide bars to adjust color.

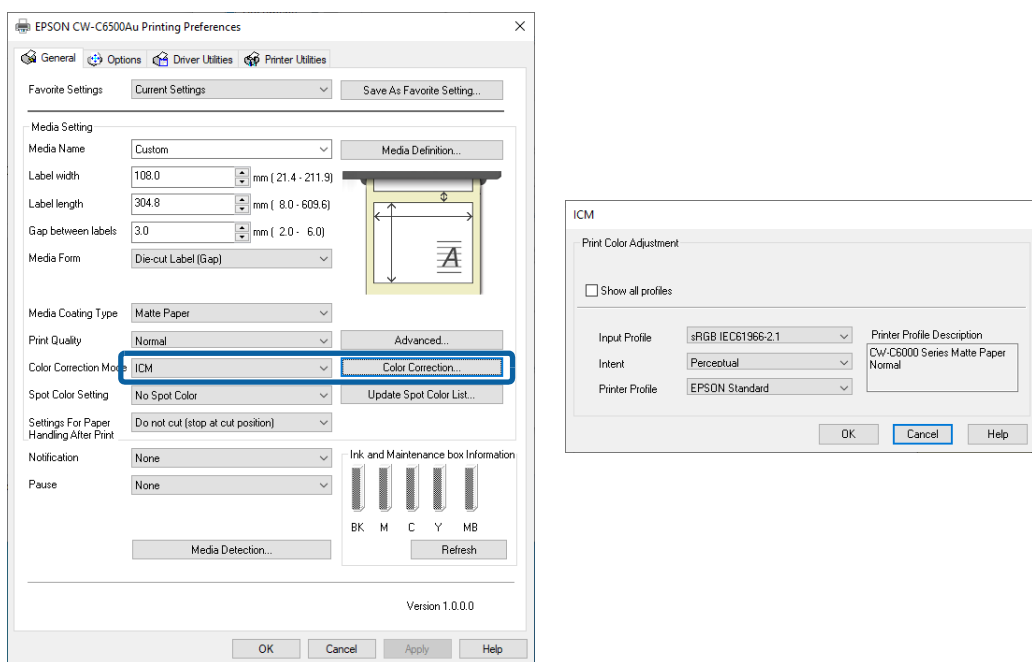
ICM

ICM (Image Color Management) is a Windows color control function to match apparent color between different devices such as a monitor and a printer. Apparent color on the monitor and on the printout is matched based on ICC profiles.

An ICC profile is a file that describes characteristics of the device such as a monitor and a printer according to ICC (International Color Consortium) standards.

However, since the color space of a four-color printer is narrow comparing to that of a monitor, it is impossible to accurately match colors on the monitor with printouts.

When you click the [Color Correction] button with [ICM] selected, the ICM window appears.



Item		Description
Show all profiles		Select the check box for this to enable selection of all profiles on the system from the [Input Profile] and [Printer Profile] pull-down menus. If this is not selected, only profiles related to the printer are displayed.
Input Profile		Select a profile to use for color correction. Normally, only "sRGB IEC61966-2-1", which is the default of Windows OS, is displayed.
Intent	Saturation	Color is converted keeping the saturation.
	Perceptual	Color is converted keeping natural-looking image. Select this when color space of the image is wide.
	Relative Colorimetric	Color is converted so that chromatic coordinate between the original data and the print data matches, and the white point (color temperature) also matches between them. This method is used a lot for color matching.
	Absolute Colorimetric	Color is converted assigning both the original and print data to absolute chromatic coordinate. The white point (color temperature) of the original and print data is not corrected. Use this method to print an image that has a specific color such as a corporate logo.
Printer Profile		Select a printer profile to use for color correction. Normally, only [EPSON Standard] is displayed. [EPSON Standard] automatically selects an ICC profile that is appropriate for the [Media Type] and [Print Quality] settings on the printer driver.

No composite

The [Color Correction] button is disabled when [Color Correction Mode] is set to [No composite].

Select [No composite] only when setting color correction on an application software. For instructions on how to set color correction on the software, see its manual or help.

Opening the Paper Cover

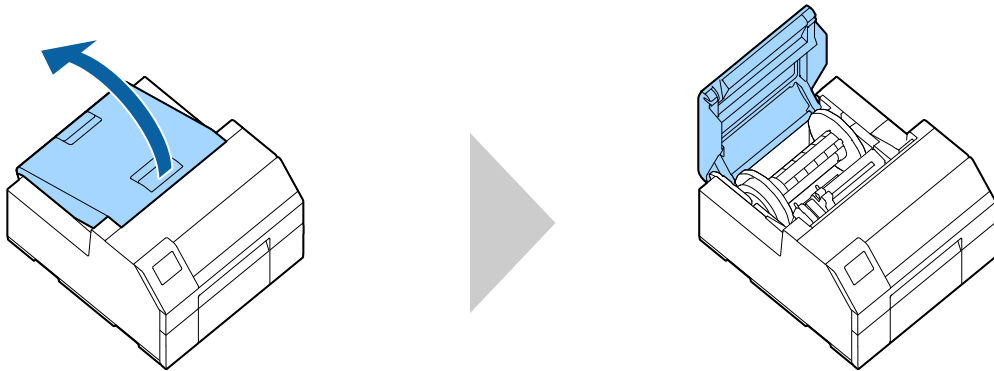
This section describes how to open the paper cover.



CAUTION

Do not use the printer with the paper cover removed. Doing so will cause the printer to malfunction.

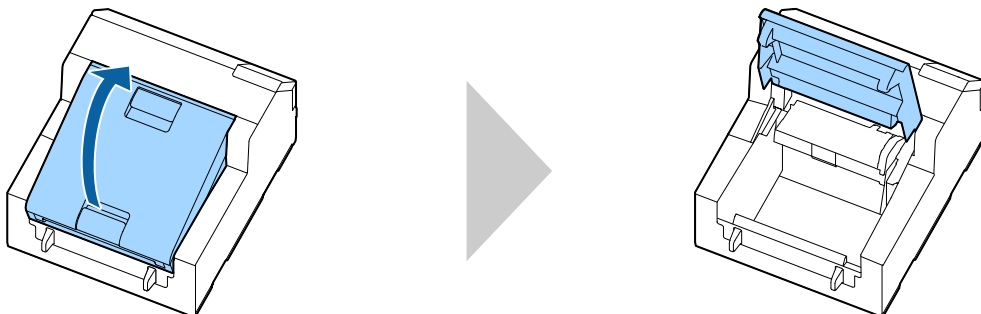
Opening the Cover using the Lever in the Front



Open the paper cover as shown above for the following purposes.

- To load roll paper inside the printer, or to remove it.
- To replace the maintenance box.
- To clean inside the printer.
- To remove paper jammed inside the printer.

Opening the Cover using the Lever in the Back



Open the paper cover as shown above for the following purposes.

- To set paper so that it is supplied from outside the printer, or to remove the paper.

Printing from the First Label (Auto cutter model only)

If the [Media Detect] setting has been set to [Gap], you cannot print on the first label (printed from the second label) at the first time printing after loading paper.

However, for the auto cutter model, even when [Gap] is selected as [Media Detect], you can prevent missing of the first label by following the procedure below.

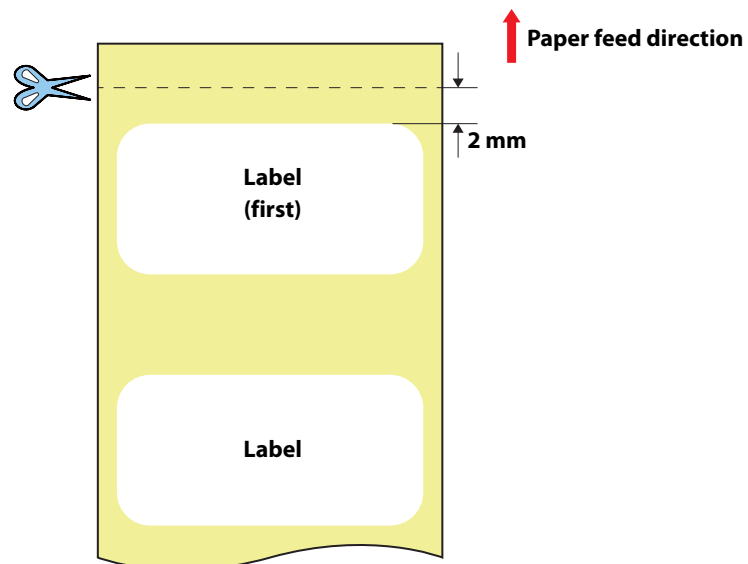


- When you perform the following and print, auto cut is disabled.
- If there is a difference between a label actually used and the settings on the printer driver, the print quality may decline.



- For the peeler model, there is no measure to print from the first label.
- For the auto cutter model, this procedure is not necessary if [Media Detect] is [Black Mark] or [None].

1 Cut off the backing paper from 2 mm away from the top edge of the first label.



2 On the operation panel of the printer, select [Not Feed] from [Actions when Replacing Media].

[Menu] - [General Settings] - [Printer Settings] - [Print Options] - [Actions when Replacing Media] - [Not Feed]

The default setting is [Feed].

3 Specify a length of the label, and a gap between labels.

(["Media Settings" on page 44](#))

4 Load paper, and then print.

For the paper loading procedure, see "[Loading Paper" on page 45](#).

Adjusting Gap Detector

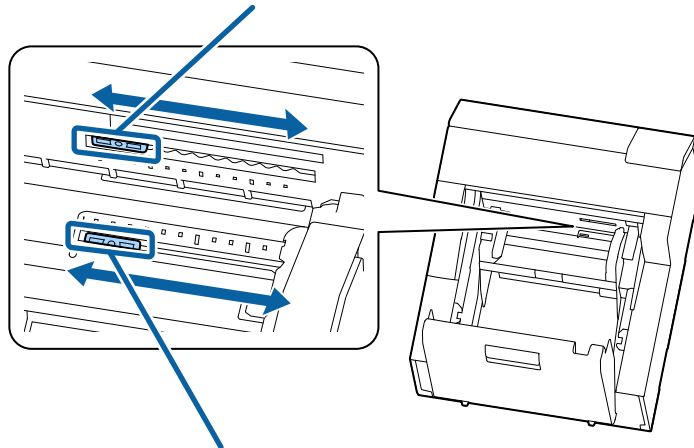
When printing on odd-shaped labels such as circle or oval labels, adjust the gap detectors as described below.



This adjustment is not required when using labels that are general in shape, such as square labels and full-page labels.

- 1 Remove paper from the printer.**
("How to Remove Paper (For the Auto Cutter Model)" on page 59 , "How to Remove Paper (For the Peeler Model)" on page 60)
- 2 Turn off the printer.**
- 3 Adjust the detectors by operating the two adjustment tabs.**
Push and move the adjustment tab horizontally using a fine-tipped tool such as a pen.
The tab can be moved in increments of 5 mm within the range of 10 to 63 mm from the paper edge.
Align the center of the circle on the adjustment tab with the scale mark.

Detector adjustment tab (light receiving unit)

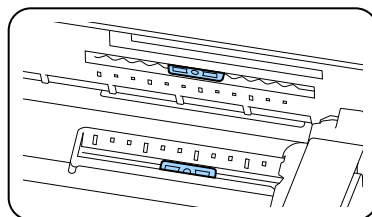


Detector adjustment tab (light emitting unit)

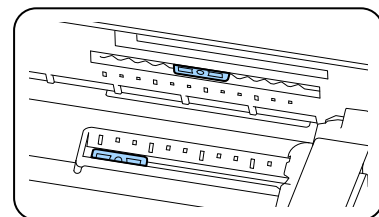


- Make sure to adjust the detectors before printing on odd-shaped labels.
- Make sure to turn off the printer to adjust the detectors. If you adjust the detectors with the printer powered on, the detector may malfunction resulting in starting auto paper feeding.
- Make sure to set the two detectors to the same position. If the position is different between the two detectors, printing will become impossible causing a paper detection error.

OK

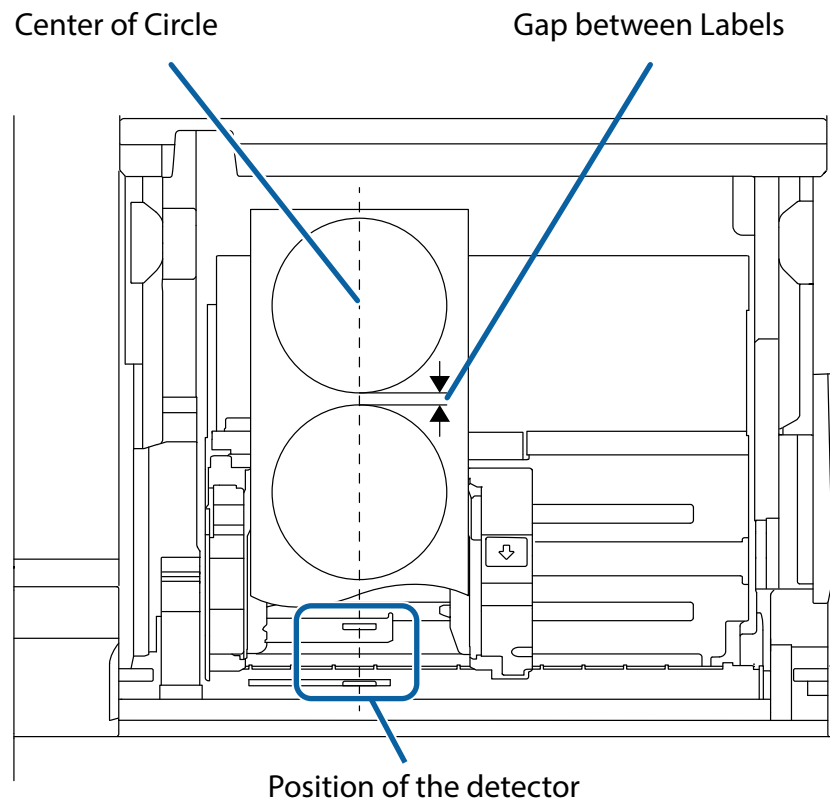


Not good



Adjusting Label Detector for Circle Die-cut Labels (Example)

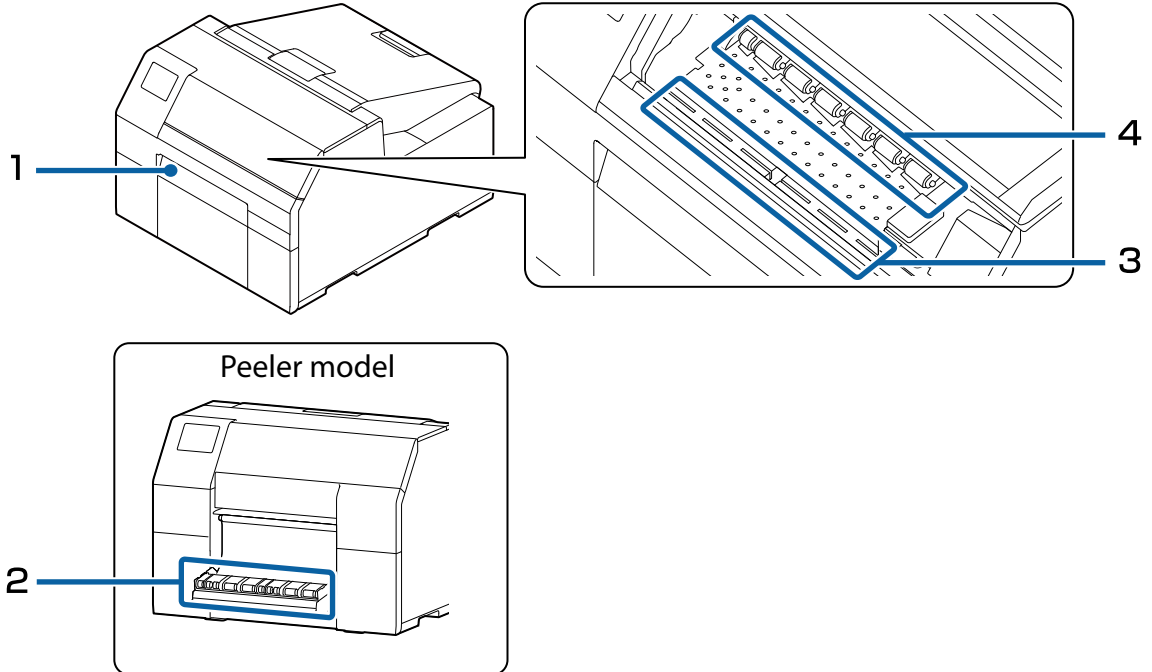
Align the center of the circle die-cut label, which is shown by dotted line in the figure, with the adjustment tabs.



Cleaning the Printer

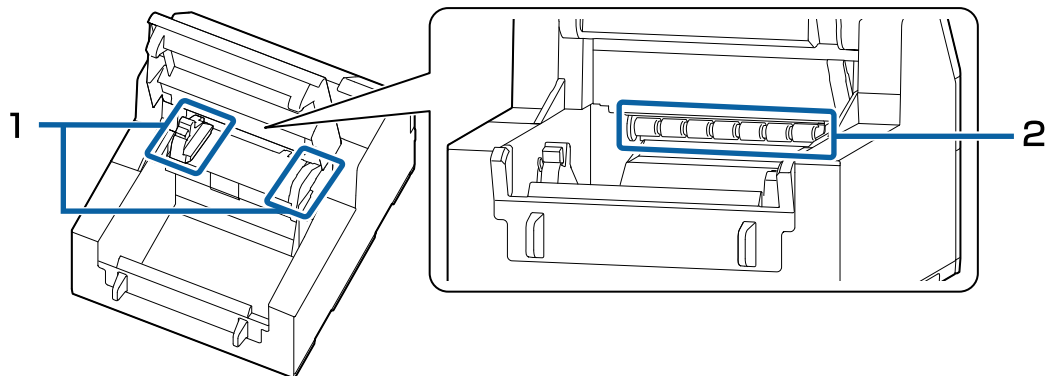
This chapter describes how to carry out maintenance of the printer.

Front



1	Cleaning the Auto Cutter (Auto Cutter Model Only)(Page 180)
2	Cleaning the Peeler (Peeler Model Only)(Page 182)
3	Cleaning the Platen(Page 184)
4	Cleaning the Paper Pressure Roller (Page 188)

Rear



1	Cleaning the Edge Guides(Page 183)
2	Cleaning the Paper Feed Roller (Page 185)

Cleaning the Exterior

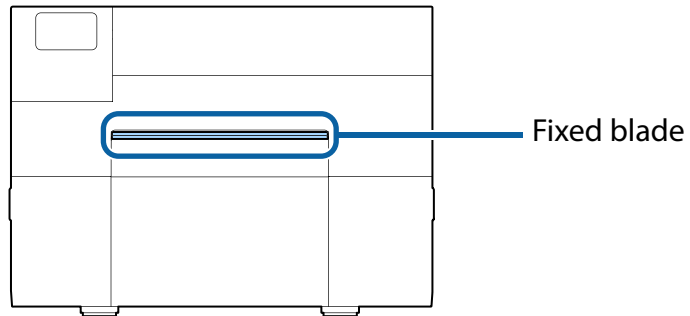
Turn off the printer, and then wipe off any dirt with a dry cloth or non-woven fabric that has been dampened. Make sure to unplug the printer when cleaning it.



Do not use alcohol, benzine, thinner, trichloroethylene, or ketone based solvent to clean the exterior of the printer.
Doing so may deform or damage the plastic and rubber parts.

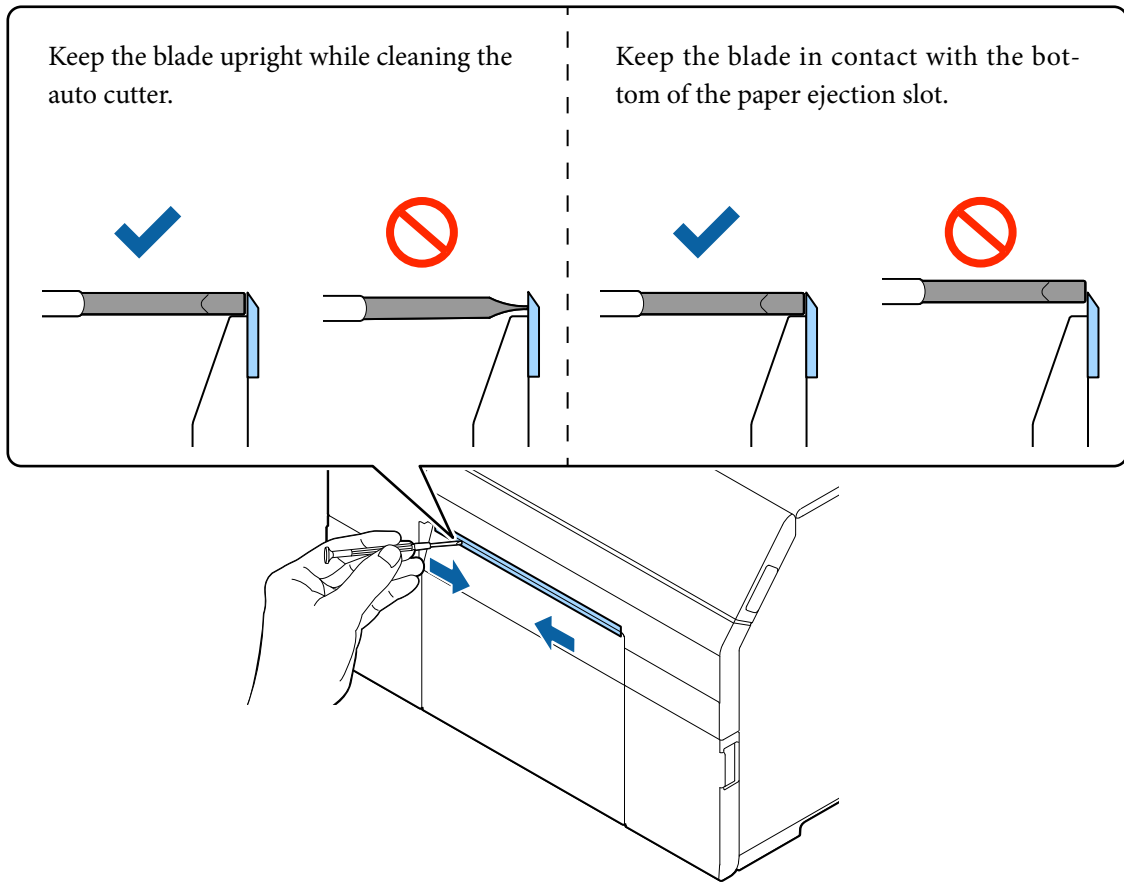
Cleaning the Auto Cutter (Auto Cutter Model Only)

If labels, paper dust, or adhesive has adhered to the fixed blade of the auto cutter, the blade may become dull. Clean the fixed blade following the procedure below.



- 1** If paper has been loaded, remove it.
(["How to Remove Paper \(For the Auto Cutter Model\)"](#) on page 59)

- 2 Turn off the printer, and unplug the power cable.
- 3 As shown in the figure below, scrape off adhered materials stuck to the fixed blade using a flat-blade screwdriver (blade width: 1.8 mm to 3 mm). Start scraping from each end toward the center.



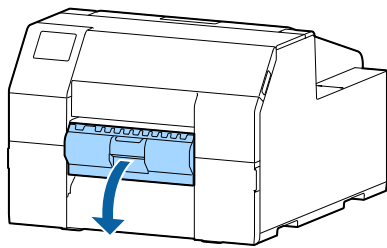
Cleaning the Peeler (Peeler Model Only)

If labels, paper dust, or adhesive has adhered to the peeler, the print quality may decline.

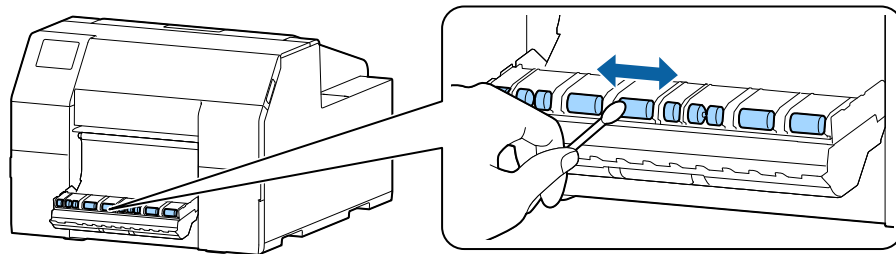
To maintain good print quality, it is recommended to clean the peeler every day.

Clean the peeler following the procedure below.

- 1 Make sure the printer has been turned off.**
- 2 Open the peeler cover.**
If paper has been loaded, remove it.
(["How to Remove Paper \(For the Peeler Model\)"](#) on page 60)



- 3 Clean the roller using a cotton swab moistened with alcohol.**
Completely remove dirt from the roller.



Cleaning the Edge Guides

If labels, paper dust, or adhesive has adhered to the edge guides, paper may get jammed, or printing position may become incorrect.

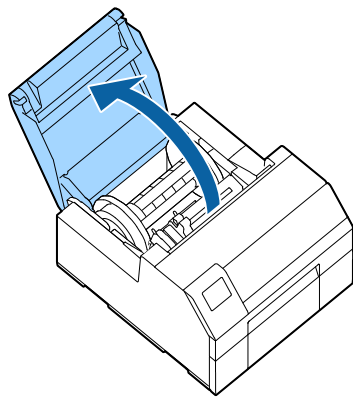
Clean the edge guides following the procedure below.

1 Make sure the printer has been turned off.

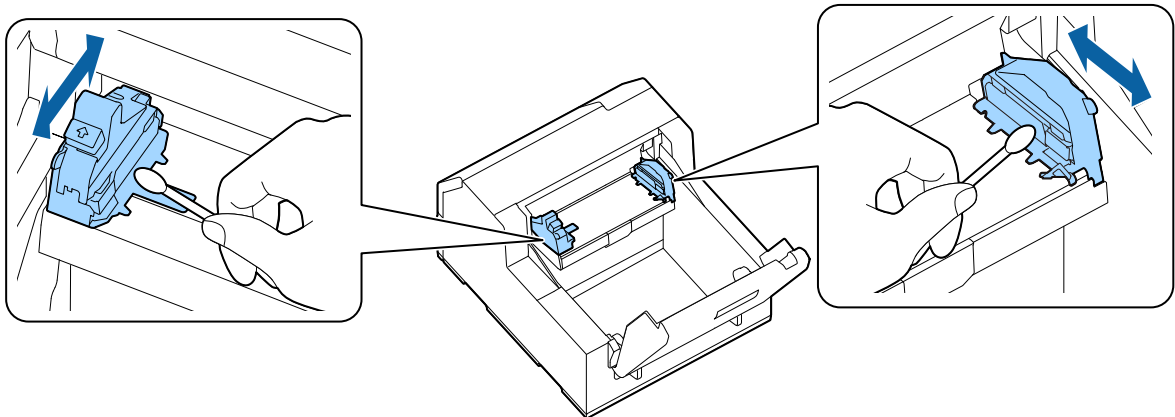
2 Open the paper cover.

If paper has been loaded, remove it.

("How to Remove Paper (For the Auto Cutter Model)" on page 59, "How to Remove Paper (For the Peeler Model)" on page 60)



3 Clean the edge guides using a cotton swab moistened with alcohol.



Cleaning the Platen

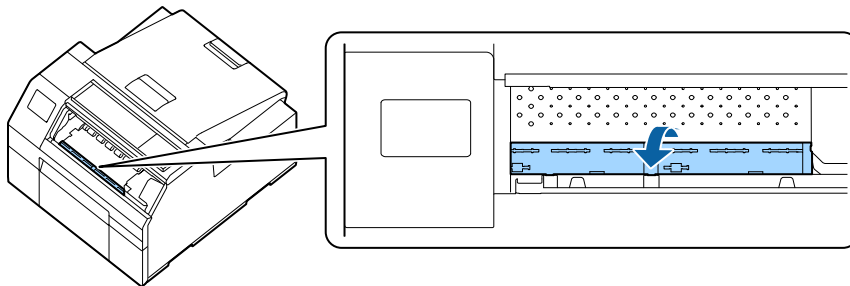
If labels, paper dust, or adhesive has adhered to the platen, paper may get jammed, or printing position may become incorrect.

Clean the platen following the procedure below.

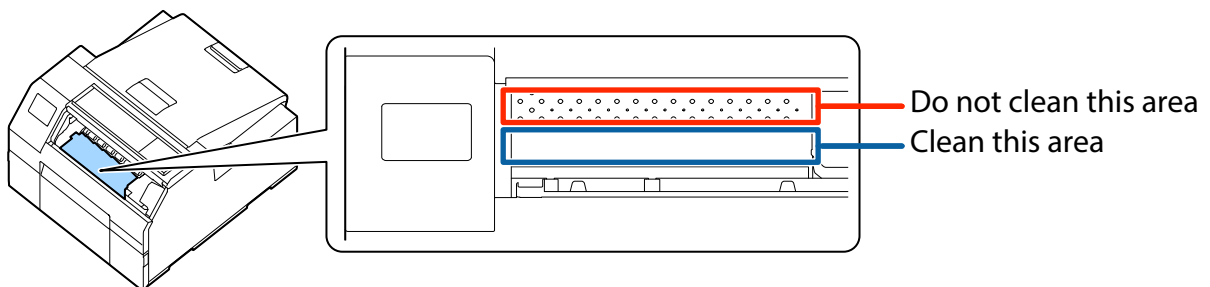
- 1** Make sure the printer has been turned off.
- 2** If paper has been loaded, remove it.
("How to Remove Paper (For the Auto Cutter Model)" on page 59, "How to Remove Paper (For the Peeler Model)" on page 60)

- 3** Open the front cover.

- 4** Raise the paper holder unit.



- 5** Use a cloth or cotton swab to remove adhesive adhered to the platen.



- 6** Lower the paper holder unit.

Cleaning the Paper Feed Roller

If paper dust or adhesive has adhered to the paper feed roller, paper may get jammed, or faint or blurred image may be printed.

Clean the roller following the procedure below.



CAUTION

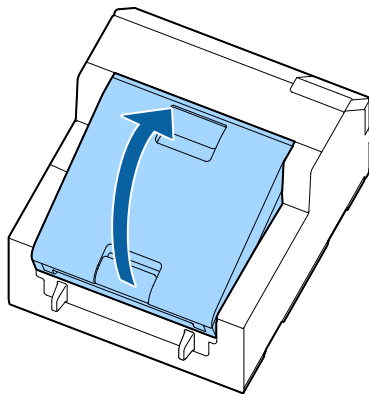
When cleaning the paper feed roller, do not use a material other than labels. Doing so may damage the roller resulting in paper jam, or faint or blurred printout.

1 Check that the printer has been turned off.

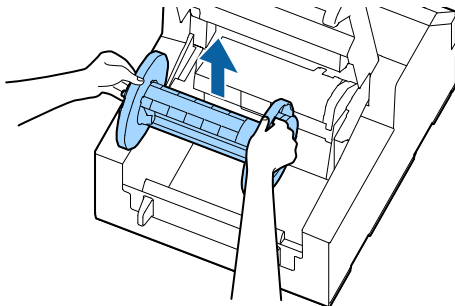
2 Open the paper cover.

If paper has been loaded, remove it.

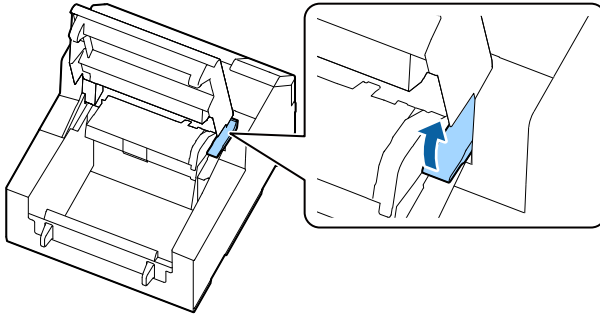
("How to Remove Paper (For the Auto Cutter Model)" on page 59, "How to Remove Paper (For the Peeler Model)" on page 60)



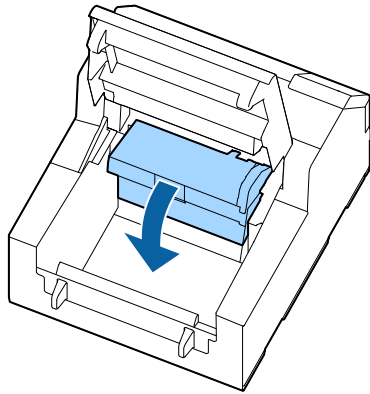
3 Remove the spindle.



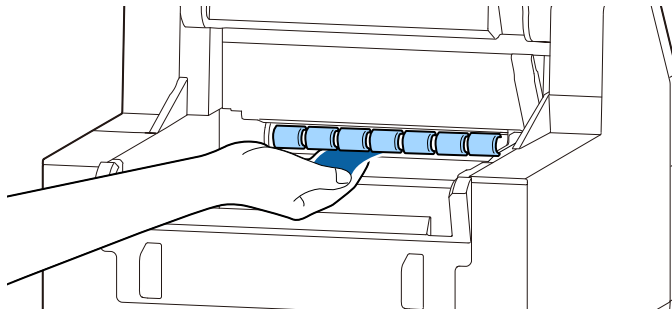
4 Raise the release lever.



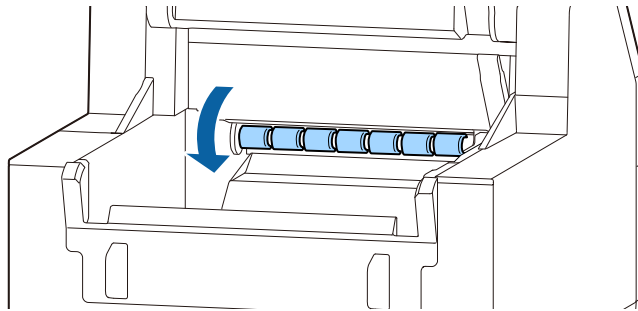
5 Open the paper guide unit.



6 Attach adhesive side of a label to the roller, and peel it off slowly. Repeat this action until paper dust or adhesive is completely removed from side to side of the roller. If some labels have stuck on the roller, carefully remove them as they can cause a paper jam.



- 7 Rotating the roller by hand, remove paper dust or adhesive from entire surface of the roller.



Cleaning the Paper Pressure Roller

If paper dust or adhesive has adhered to the paper pressure roller, paper may get jammed, or faint or blurred image may be printed.

Clean the roller following the procedure below.



CAUTION

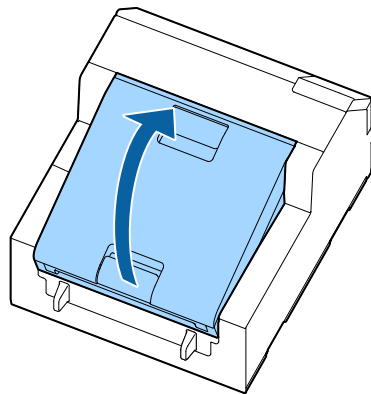
When cleaning the paper pressure roller, do not use a material other than labels. Doing so may damage the roller resulting in paper jam, or faint or blurred printout.

1 Check that the printer has been turned off.

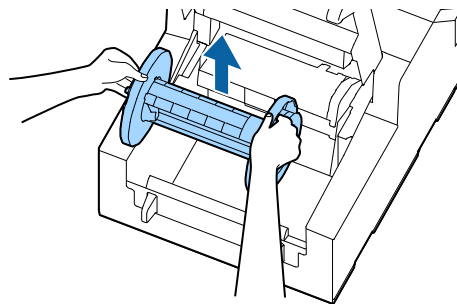
2 Open the paper cover.

If paper has been loaded, remove it.

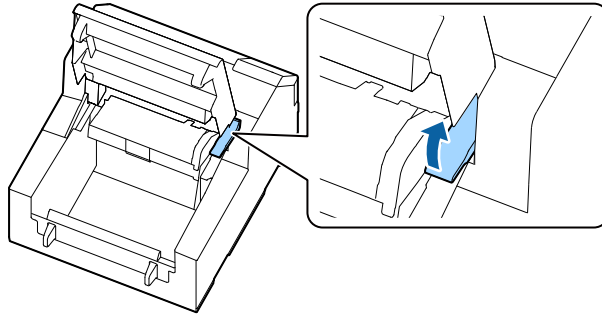
("How to Remove Paper (For the Auto Cutter Model)" on page 59, "How to Remove Paper (For the Peeler Model)" on page 60)



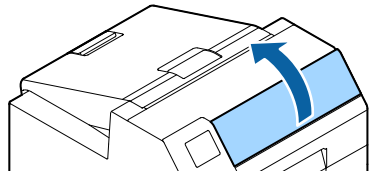
3 Remove the spindle.



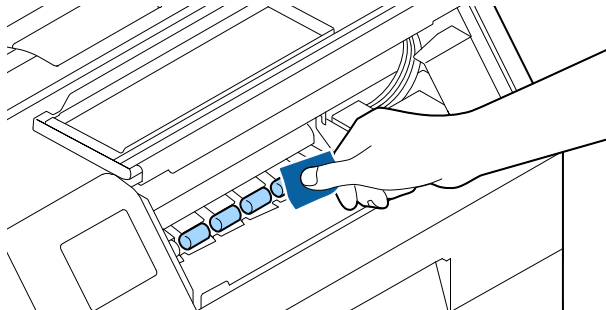
4 Raise the release lever.



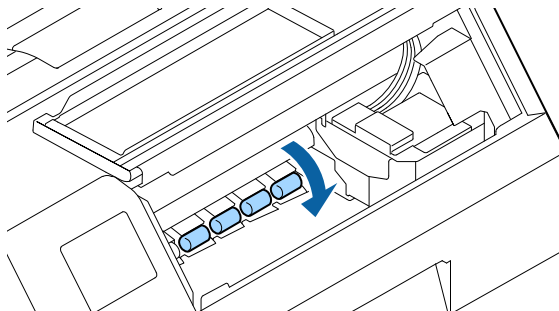
5 Open the front cover.



6 Attach adhesive side of a label to the roller, and peel it off slowly. Repeat this action until paper dust or adhesive is completely removed from side to side of the roller. If some labels have stuck on the roller, carefully remove them as they can cause a paper jam.



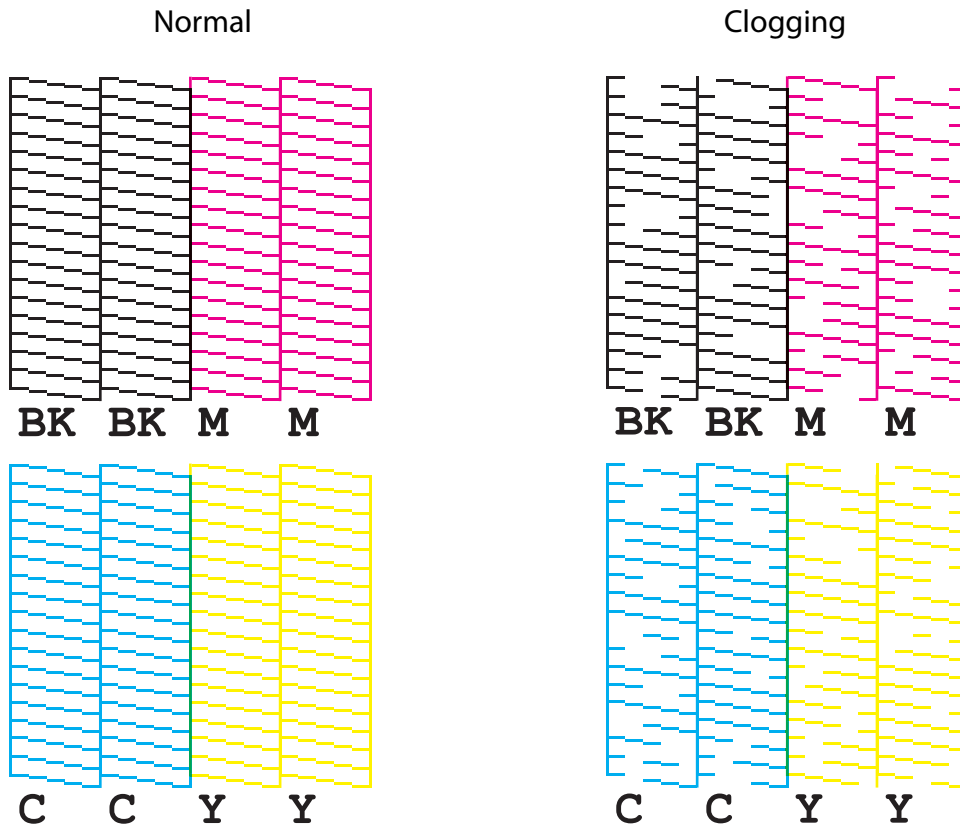
7 Rotating the roller by hand, remove paper dust or adhesive from entire surface of the roller.



Print Head Cleaning

If the nozzles are clogged, faint colors, banding, or unintended colors appear on printouts. When such print quality problems occur, print nozzle check patterns and check for nozzle clogging.

("Test Print" on page 64)



If nozzles are clogged, run a print head cleaning. Run [Power Cleaning] only when nozzle clog is not cleared by running [Print Head Cleaning].

To run a print head cleaning, select the menu as described below.



The [Power Cleaning] consumes ink more than [Print Head Cleaning].

Using the Operation Panel

[Menu] - [Maintenance] - [Print Head Cleaning]

[Menu] - [Maintenance] - [Power Cleaning]

Using the Printer Driver

Click [Print Head Cleaning] or [Power Cleaning] on the [Printer Utilities] window.

Using the WebConfig

Select [Print Head Cleaning] on the [Maintenance] window. Then select the cleaning type from [Auto] or [Power Cleaning], and then click [Start].

Storing the Printer for Long Periods with Ink Cartridges Installed

Before Storing the Printer

If you need to store the printer for long periods after installing the ink cartridges, follow the procedure below.

- 1 Run the nozzle check to confirm that the print head nozzles are not clogging and there is no problem with the print quality. If the print quality is not good, run a print head cleaning.**

See "Test Print" on page 64.




If you store the printer without solving the print quality problem (nozzle clogging), ink inside the nozzles may get hard and the print quality problem may become unrecoverable when you start using the printer again.



If you have transported the printer after installing the ink cartridges, nozzle clogging may occur due to vibrations applied to the printer during the transport.

- 2 When printing is finished, press the  (Power) button to turn off the printer.**



Especially when storing the printer for long periods, make sure to turn it off using the  (Power) button.

- 3 Store the printer in a cool (0 to 25 degrees C) and dark place.**



The printer has a storage life of up to six months.



Make sure to store the printer with all ink cartridges installed.

For Using the Printer after Long Storage

When using the printer after storing it for long periods, follow the procedure below.

1 Check the ink cartridges to see if they are expired.



Replace the ink cartridges with new ones in the following cases.

For instructions on how to replace the cartridges, see ["Installing the Ink Cartridges" on page 36](#).

- Three years or more have passed from the manufacturing date.
- Six months or more have passed from when the cartridge was installed in the printer.

2 Turn the printer on. The auto self-check function checks the nozzles for clogging and run a cleaning.



CAUTION

While the printer is running the print head cleaning, do not turn off the power or open the ink cartridge cover, front cover, paper cover, and the maintenance box cover.

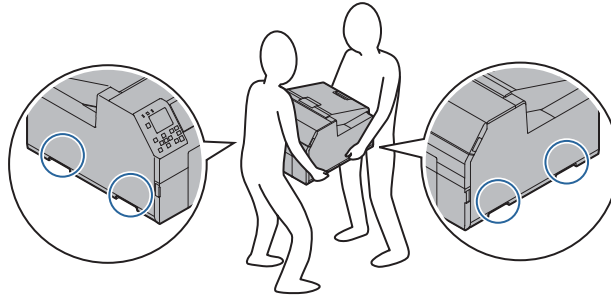
3 Run the nozzle check to confirm that the print head nozzles are not clogging and there is no problem with the print quality.


For Transporting the Printer

When transporting the printer, make sure to follow the guidelines below.



- The weight of the printer is approximately 26 kg. When lifting the printer, make sure to lift it by two people placing the hands at the dents on the printer. If you put your hands on the other portions of the printer to lift it, the printer may get damaged.



- Make sure to remove paper before transporting the printer.
- Do not remove the ink cartridges and the maintenance box for transporting the printer.
- When turning off the printer for transporting, make sure to turn off the printer with the  (Power) button.
- Do not let the printer tilt to all directions by 10 degrees or more during transportation. Otherwise, the printer may fall down causing an accident.
- Do not let the printer upside down or lay on its side during transportation.

Troubleshooting

A message is displayed on the operation panel.

Message	Meaning	Solution
Information Close the paper cover.	The paper cover is open.	Close the paper cover. ("Part Names and Functions" on page 18)
Information Close the front cover.	The front cover is open.	Close the front cover. ("Part Names and Functions" on page 18)
Information Close the release lever.	The release lever is open.	Close the release lever. ("Part Names and Functions" on page 18)
Information Close the paper guide unit.	The paper guide unit is open.	Close the paper guide unit. ("Part Names and Functions" on page 18)
Information Close the maintenance box cover.	The maintenance box cover is open.	Close the maintenance box cover. ("Part Names and Functions" on page 18)
Information Close the ink cartridge cover.	The ink cartridge cover is open.	Close the ink cartridge cover. ("Part Names and Functions" on page 18)
Information Paper feed error. Load the paper or change the media source setting.	The loaded paper is different from the [Media Source] and [Media Form] settings.	Use paper that matches the [Media Source] and [Media Form] settings. Or change the [Media Source] and [Media Form] settings to match them with the loaded paper. ("Media Settings" on page 44)
Information Cannot detect the roll paper. Reload the paper or change the media detection setting.	The loaded paper is different from the [Media Detect] settings.	Use paper that matches the [Media Detect] settings. Or change the [Media Detect] settings to match them with the loaded paper. ("Media Settings" on page 44)
Information Cannot detect the fanfold paper. Reload the paper or change the media detection setting.	The loaded paper is different from the [Media Detect] settings.	Use paper that matches the [Media Detect] settings. Or change the [Media Detect] settings to match them with the loaded paper. ("Media Settings" on page 44)
(On the home screen) Load paper.	There is no paper.	Load paper. ("Loading Paper" on page 45)
Information The size of the loaded paper is incorrect. Replace the paper.	The media size differs from the print data size.	Load media that matches the print area size. Or change the print area to match it with the media size. ("Media Settings" on page 44)
Information The roll paper is not loaded.	The roll paper is not loaded.	Load roll paper. ("Loading Paper" on page 45)

Message	Meaning	Solution
Information The fanfold paper is not loaded.	The fanfold paper is not loaded.	Load fanfold paper. ("Loading Paper" on page 45)
Information Paper jam.	A paper jam has occurred.	Remove the jammed paper and then load paper. ("Paper is jammed" on page 207)
Information The paper is not loaded correctly. Reload the paper.	The paper has not been loaded correctly.	Remove the paper, and then load the paper again. See "How to Remove Paper (For the Auto Cutter Model)" on page 59 or "How to Remove Paper (For the Peeler Model)" on page 60 , and "Loading Paper" on page 45
Information Calibration failed. Press the OK button. Then reload or replace the paper.	Calibration is failed.	Make sure that the paper loaded in the printer matches the paper detection method (gap or black mark), and reset the paper. ("Loading Paper" on page 45) If the error still occurs, the detector cannot handle the paper. Replace the paper.
Information The paper has already been cut and cannot be cut.	The printer failed to cut the paper.	This error occurs when you press the Cut button at the position where the paper is already cut. Feed the paper by printing or pressing the Feed button to enable the Cut button.
Maintenance Error The ink cartridge is not installed correctly.	An ink cartridge is not installed.	Install an ink cartridge with a sufficient amount of ink remaining. ("Replacing the Ink Cartridges" on page 37)
(On the home screen, an exclamation mark on the ink levels)	The ink level is low.	Prepare a new ink cartridge to be replaced with the low-ink-level cartridge. If you continue to use the low-ink-level cartridge, you may be required to replace it during printing. If you replace the cartridge during printing, you may see a difference in color between colors printed by the old cartridge and colors printed by the new one due to a difference in ink drying status. If it is not acceptable for you, replace the ink cartridge with a new one before starting printing. ("Replacing the Ink Cartridges" on page 37) The removed ink cartridge can be installed again and used until you are prompted to replace it.
Information You need to replace Ink Cartridge(s).	The printer cannot print because the ink cartridge is expended.	Install an ink cartridge with a sufficient amount of ink remaining. ("Replacing the Ink Cartridges" on page 37)
Maintenance Error Cannot recognize the ink cartridge. Select "Next" to clear the error.	The ink cartridge information cannot be read.	Reinstall the ink cartridge. If the error reoccurs, replace the ink cartridge with a new one. ("Replacing the Ink Cartridges" on page 37)

Message	Meaning	Solution
Information You have not installed genuine Epson ink cartridges.	The installed ink cartridges are not genuine Epson cartridges.	For the best performance of the printer, it is recommended to use genuine Epson ink cartridges. Use of non-genuine Epson ink cartridges can adversely affect the printer and print quality and prevent the printer from realizing its maximum performance. Epson cannot guarantee the quality and reliability of non-genuine Epson products. Repairs for any damage or breakdown of this product due to the use of non-genuine Epson products will not be free of charge even if the warranty period is still valid.
Information This ink cartridge is inapplicable.	The installed ink cartridges are not the cartridges for this printer.	Because the installed ink cartridges are not the ones for this printer, an error such as a cartridge detection error may occur.
Maintenance Error A maintenance box is not installed. Model number: SJMB6000/6500	A maintenance box is not installed.	Install a new maintenance box. ("Replacing the Maintenance Box" on page 39)
Maintenance Error Cannot recognize the maintenance box. Model number: SJMB6000/6500	The printer cannot read the information of the maintenance box.	Reinstall the maintenance box. If the error reoccurs, replace the maintenance box with a new one. ("Replacing the Maintenance Box" on page 39)
(On the home screen) The Maintenance Box is nearing end of its service life.	The maintenance box is near full.	Prepare a new maintenance box to be replaced with the near-full maintenance box. When a message saying "The Maintenance Box is at the end of its service life. You need to replace it." is displayed, replace the maintenance box.
Maintenance Error The Maintenance Box is at the end of its service life. You need to replace it. Model number: SJMB6000/6500	The printer cannot print because the maintenance box has no remaining amount of space.	Replace the maintenance box with a new one. ("Replacing the Maintenance Box" on page 39)
Information Memory Full. Document was not printed.	Printing is impossible because the printer has run out of memory.	Delete unnecessary files.
(On the home screen) Maintenance Request: Replace Parts Soon XXXXXXXX	The printer internal parts have almost reached the end of their service life.	You will need to replace the parts. Contact qualified service personnel for advice. When contacting, tell the person the "XXXXXXXX" (a 6- or 8-digit alphanumeric code). This message cannot be cleared until the part is replaced. If the part reaches the end of its service life, printing is disabled.

Message	Meaning	Solution
<p>Maintenance Request: End Of Parts Service Life</p> <p>Turn on the printer again.</p> <p>See your documentation for more details.</p> <p>XXXXXXXX</p>	<p>The printer internal parts have reached the end of their service life.</p>	<p>Printing is disabled until you replace the parts.</p> <p>Contact qualified service personnel for advice. When contacting, tell the person the "XXXXXXXX" (a 6- or 8-digit alphanumeric code).</p>
<p>Printer Error</p> <p>Turn on the printer again.</p> <p>See your documentation for more details.</p> <p>XXXXXX</p>	<p>A printer error has occurred.</p>	<ol style="list-style-type: none"> 1. Turn off the printer. 2. Check that there is no paper jam or foreign materials near the ejection slot. 3. Turn the printer on. <p>If the printer error still occurs, contact qualified service personnel for advice. When contacting, tell the person the "XXXXXXXX" (a 6- or 8-digit alphanumeric code).</p>
<p>Information</p> <p>Device restarted due to a system error.</p>	<p>A system error has occurred.</p>	<p>If the printer does not function normally after being restarted, contact qualified service personnel for advice. When contacting, tell the person the "XXXXXXXX" (a 6- or 8-digit alphanumeric code).</p>
<p>Information</p> <p>Cannot start cleaning because ink is low.</p> <p>Printer features except cleaning are available.</p>	<p>The remaining amount of ink is not sufficient for the print head cleaning.</p>	<p>When running the cleaning, install ink cartridges with a sufficient amount of ink remaining.</p> <p>("Replacing the Ink Cartridges" on page 37)</p>
<p>Information</p> <p>Remove the label.</p>	<p>The printed label has not been removed.</p>	<p>Remove the labels from the peeler.</p> <p>If the error is not cleared, press the Peeler Reset button.</p>
<p>Information</p> <p>Paused</p> <p>The print quality may decrease because the nozzles are clogged.</p>	<p>The print head nozzles are clogging.</p>	<p>The print quality may decrease because the nozzles are clogged. If it is not acceptable, run a print head cleaning.</p> <p>("Print Head Cleaning" on page 190)</p>
<p>Information</p> <p>Open front cover, and close paper hold unit.</p>	<p>The paper holder unit is not completely closed.</p>	<p>Open the front cover, and then close the paper holder unit.</p> <p>When the paper holder unit is opened, a paper jam error may occur. If the paper jam error is not cleared, try the solutions described in the links below.</p> <p>Auto cutter model: "For the Auto Cutter Model" on page 207</p> <p>Peeler model: "For the Peeler Model" on page 210</p>

Print Quality Problems

Status	Cause	Solution
Horizontal White Banding	The nozzles are clogging.	Print the nozzle check patterns to check the nozzles for clogging. ("Test Print" on page 64) If the nozzles are clogging, run a print head cleaning. ("Print Head Cleaning" on page 190)
Vertical White Banding	The printed label has been back-fed.	If printed labels are fed backward, the printed surface is damaged by the rollers located under the paper pressure unit. This can occur when the print mode is set to "Stop at Cut Position" or "Stop at Peel-Off Position", and printed labels have not been removed after each print job is finished. Select a print mode option other than "Stop at Cut Position" or "Stop at Peel-Off Position", or remove printed labels after each print job is finished. The print mode can be configured in the [Media Definition] settings of the printer driver. ("User-Defined Paper" on page 70)
White or Black Banding	The paper is not loaded correctly.	Reload the paper. ("Loading Paper" on page 45)
	The paper being used and the Media Coating Type setting differ.	Check the paper being used and the Media Coating Type setting of the printer driver. ("Printer Driver for Windows" on page 66)
	White banding or black banding can occur if the paper feeding setting is not appropriate for the paper used.	Adjust the paper feed settings. The adjustment is available in [Print Head Alignment] of PrinterSetting. ("Print Head Alignment" on page 137)
Unintended Top and Bottom Margins are Generated	If die-cut label (without black marks) thinner than required thickness is used, the printer may not be able to correctly detect the labels and cause unintended top and bottom margins on each label. (The "top and bottom" used here means the beginning and end of labels in the paper feed direction.)	Carry out [Print start position adjustment (Vertical direction)] of PrinterSetting. Enter a minus correction value to reduce the top margin, and enter a plus correction value to reduce the bottom margin. ("Position adjustment" on page 129)
Printed Characters Look Blurred	Blurred print may occur when the printer settings are not appropriate for the thickness of the paper.	Carry out [Bi-directional Printing Adjustment] of PrinterSetting. ("Print Head Alignment" on page 137)

Status	Cause	Solution
Printed Colors Are Wrong	If the printer is moved after initial charging, the specified colors may not be output (colors may be mixed) due to vibrations and impacts.	Run a head cleaning and check that colors are no longer mixed. (" Print Head Cleaning " on page 190)
Print position shifts	The edge guide is not set along the paper edge.	Check that the edge guide is properly set at the paper width position. (" Loading Paper " on page 45)
Paper is Smearred or Smudged with Ink	The paper being used and the Media Coating Type setting differ.	Check the paper being used and the Media Coating Type setting of the printer driver. (" Printer Driver for Windows " on page 66)
	If foreign matter is adhered to the head, the paper may be smearred with ink.	Run a print head cleaning. (" Print Head Cleaning " on page 190)
	If the platen vacuum is insufficient for the paper, the paper may rub against the print head and be smearred with ink.	Depending on paper used, manual adjustment of the platen vacuum is required. Carry out the manual adjustment using the printer driver following the steps below. <ol style="list-style-type: none"> 1. Display the [General] window of the printer driver. 2. Click [Advanced] in the [Media Settings] field. The advanced settings window appears. 3. Select the check box for [Platen Vacuum Manual Adjustment] in the [Paper Adjustment] field. The manual adjustment is enabled. 4. Move the slide bar to adjust the platen vacuum.
Part of print data is rimmed/Auto cut or Peeling position is Incorrect	The paper being used and the media definition (size settings) do not match.	If the paper and the media definition of the printer driver do not match, printing may not be at the correct position. Set the media definition correctly. (" User-Defined Paper " on page 70)
	Shift of print and stop position may occur depending on the paper used.	Adjust the print start position using PrinterSetting. (" Position adjustment " on page 129)

Cannot Print

Status	Cause	Solution
Print Data is Sent, But Does Not Print (Peeler Model)	The label peeling detector is malfunctioning.	If printing is performed at a location exposed to strong light such as direct sun rays, etc., the label peeling detector may not work properly, making it impossible to perform printing. Press the Peeler Reset button to cancel the non-printing state.
Auto Paper Feeding does Not Start	The position of the gap detector is not correct.	Check the position of the gap detector. (" Adjusting Gap Detector " on page 176)
	The sensor has failed.	If operation was normal up until now, the sensor has probably failed. Request repairs.
Paper is Fed and Ejected, and an Error Occurs Media Form: Continuous label (without black marks)	The paper being used differs from that of Media detection settings.	Check the paper being used and Media detection settings of the printer. (" Paper Source and Paper Detection Settings " on page 68)
Paper is Fed and Ejected, and an Error Occurs Media Form: Die-cut label (Gap)	The paper being used differs from that of Media detection settings.	Check the paper being used and Media detection settings of the printer. (" Paper Source and Paper Detection Settings " on page 68)
	The transmittance of the paper does not comply with the specifications.	If the transmittance of the paper differs, gaps may not be recognizable. Infrared light is used for gap detection, and the infrared transmittance of the backing paper needs to be the specified value or higher and the infrared transmittance of the label part needs to be the specified value or lower. Check the specifications of the paper, and use paper that complies with the printer specifications. (" Paper Specifications " on page 225) The gaps may become recognizable by adjusting the label gap detector. On the operation panel, select [Menu] - [Maintenance] - [Calibration] - [Simple Media Detect] in that order. If the problem is not resolved, carry out [Media Detect].
	The sensor has failed.	If operation was normal up until now, the sensor has probably failed. Request repairs.

Status	Cause	Solution
Paper is Fed and Ejected, and an Error Occurs	The paper being used differs from that of Media detection settings.	Check the paper being used and Media detection settings of the printer. (" Paper Source and Paper Detection Settings " on page 68)
Media Form: Continuous Label (BlackMark), Die-cut Label (BlackMark)	The black marks do not comply with the specifications.	<p>If the reflectivity of the black marks is higher than the specified value, the black marks may not be recognizable. Infrared light is used for black mark detection, and the infrared reflectivity needs to be the specified value or lower.</p> <p>Check the specifications of black mark printing, and use black marks that comply with the printer specifications.</p> <p>The black marks may become recognizable by adjusting the black mark detector.</p> <p>On the operation panel, select [Menu] - [Maintenance] - [Calibration] - [Simple Media Detect] in that order. If the problem is not resolved, carry out [Media Detect].</p>
	The sensor has failed.	If operation was normal up until now, the sensor has probably failed. Request repairs.

Network Connection Check Errors

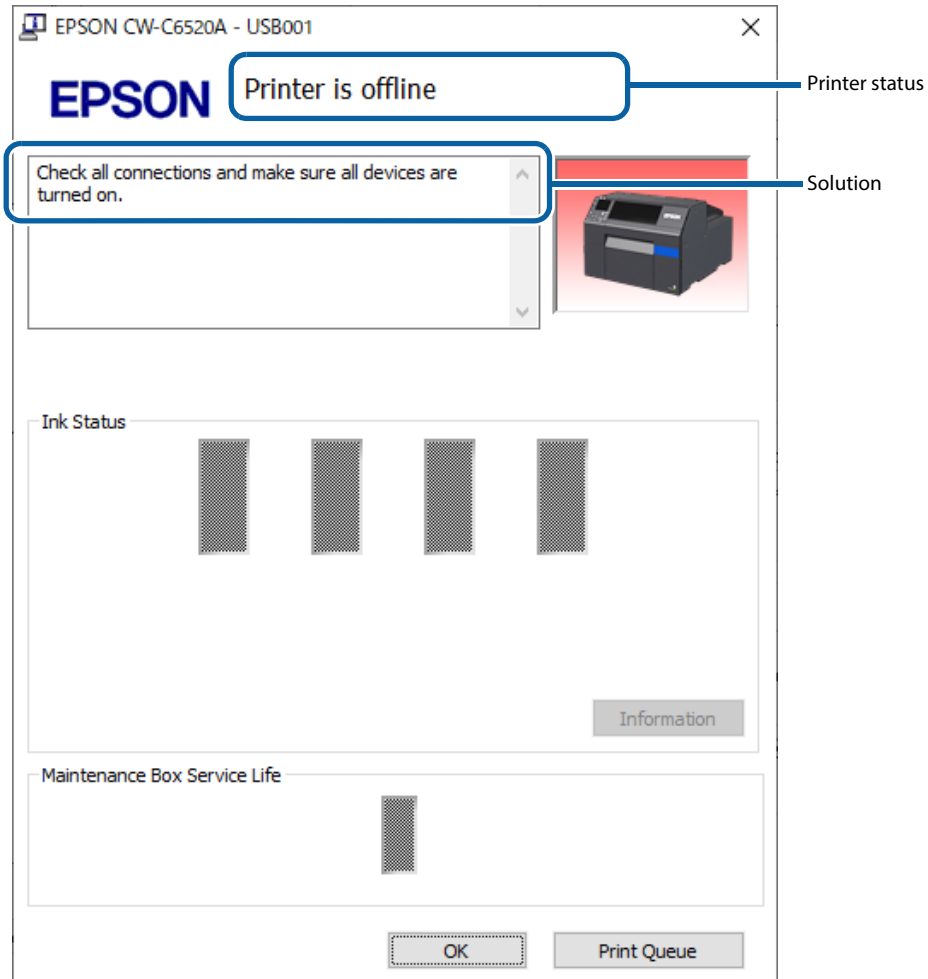
Check the error number printed on the connection check report and take measures correspond to the error number.

For instructions on how to print the report, see "[Printing the Network Connection Check Report](#)" on page 29.

Error number	Solution
E-1	<ul style="list-style-type: none"> • Check that the LAN cable is securely connected to the printer and the other network devices such as a hub. • Check that the network device such as a hub is powered on.
E-8	<ul style="list-style-type: none"> • If you have set the printer's TCP/IP setting to auto, enable DHCP of the DHCP server. • If you have set the printer's TCP/IP manually, the IP address is out of the valid range, such as "0.0.0.0", and disabled. Set a valid IP address using the operation panel of the printer or using Web-Config.
E-9	<p>Check the followings.</p> <ul style="list-style-type: none"> • Is the device that uses the printer turned on? • From the device that uses the printer, is it possible to access the Internet and connect to other computer or network devices on the same network? <p>If there is no problem in the above checks, but the device or other network device still cannot connect to the printer via the network, configure the network settings again using the included software disc.</p>
E-10	<p>Check the followings.</p> <ul style="list-style-type: none"> • Are other devices on the network turned on? • If you have set the printer's TCP/IP settings manually, is the network address (IP address, subnet mask, and default gateway) correct? <p>If the network address is incorrect, correct it. You can check the IP address, subnet mask, and default gateway in the network settings column on the connection check report.</p> <p>If you have enabled DHCP, set the IP address to Auto in the printer's TCP/IP settings. If you want to set the IP address manually, check the printer's IP address in the network settings column on the connection check report, then set the address in the printer's network settings screen. Set the subnet mask to "255.255.255.0".</p>
E-11	<p>Check the followings.</p> <ul style="list-style-type: none"> • If you have set the printer's TCP/IP settings manually, is the default gateway address correct? • Is the device specified for the default gateway turned on? <p>Set the correct default gateway address. You can check the default gateway address in the network settings column on the connection check report.</p>

A message is displayed on the computer screen

If the following screen appears, resolve the problem following the instructions on the screen.



Printing from a computer is impossible or becomes suddenly impossible

Checking Whether the Printer Driver Is Installed

Check whether or not the required software and applications are installed on the computer.

To print with this printer, a printer driver is required. Check whether or not the printer driver is installed by following the steps below.

- 1 Display Devices and Printers on the computer.**
- 2 Check that the printer name is displayed.**
If not, the printer driver is not installed.
- 3 Install the printer driver.**
(["Printing the Network Connection Check Report" on page 29](#))

Reconnecting the Printer and Computer

- 1 Check the cable connections.**
Check that the power cable and the USB cable or wired LAN cable are connected properly.
- 2 Reconnect all of the devices.**
For USB connection
 - Disconnect the USB cable and then reconnect it.
 - If the computer has multiple USB ports, connect the cable to a different port.For wired LAN connection
 - Device connected by wired LAN may have become unstable. Restart the network function.
 - Turn off the all devices.
 - Wait for about 10 seconds. Then turn on the devices from the networking device, the computer, and then the printer in that order.
- 3 Check that data is sent from the computer to the printer.**
For the check procedure, see ["Checking the Print Data" on page 206](#).

Checking the Print Data

If print data is not sent from a computer to the printer, it may be caused by print jobs remaining on the computer, or print jobs that has been paused or offline setting.

Check it following the procedure below.

- 1 Display Devices and Printers on the computer.**
- 2 Set the printer as the default printer.**
Right-click the icon of the printer to be used and then click Set as default printer.
If the printer is installed multiple times, copies of the printer driver may be created.
If there is more than one printer icon and you find a copied one such as "CW-C6XXX (Copy 1)", right-click on the copied icon and then delete it by clicking Remove device.
- 3 Perform a test print to check whether or not the print data is sent to the printer.**
Right-click the icon of the printer being used and then click Printer properties.
- 4 The printer properties screen of the printer driver appears. Click Print Test Page on the General tab.**
If the test print is successful, you have confirmed that data is sent from the computer to the printer.
- 5 Display the print job. Right-click the icon of the printer being used and then click See what's printing.**
- 6 A screen appears. Check the print job.**
If print data is displayed, select [Printer] - [Cancel All Documents].
- 7 Check "Pause Printing" or "Use Printer Offline" is not set for the printer.**
Select Printer and make sure that "Pause Printing" or "Use Printer Offline" is not checked. If any of them is checked, clear the check mark.

The printer does not turn on

Check that the power cable is connected to the printer and outlet properly. (["Connecting the Power Cable" on page 34](#))

Print Job is Canceled on PC but "Printing" Message on Printer Does Not Disappear

If you cancel printing in printer queue on the computer, it may cause the print data to break up and "Printing" may be kept displayed on the operation panel of the printer.

To cancel the status, press the Cancel button on the operation panel, and then select [All label formats].

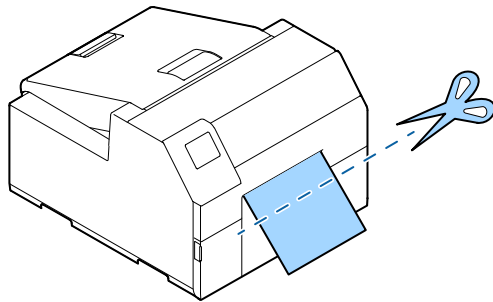
Paper is jammed

This section describes how to resolve the problem when the paper is jammed. Videos that show the procedure are also available. Click the URL below to view the videos.

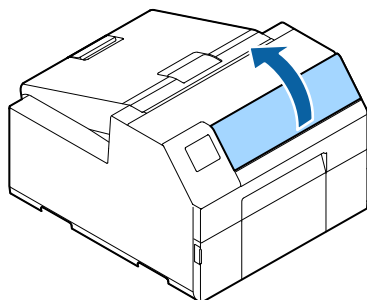
https://support.epson.net/p_doc/790/

For the Auto Cutter Model

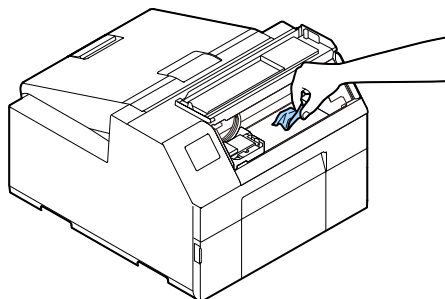
- 1 Cut the paper near the paper ejection slot.



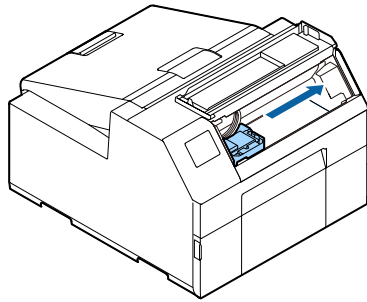
- 2 Open the front cover.



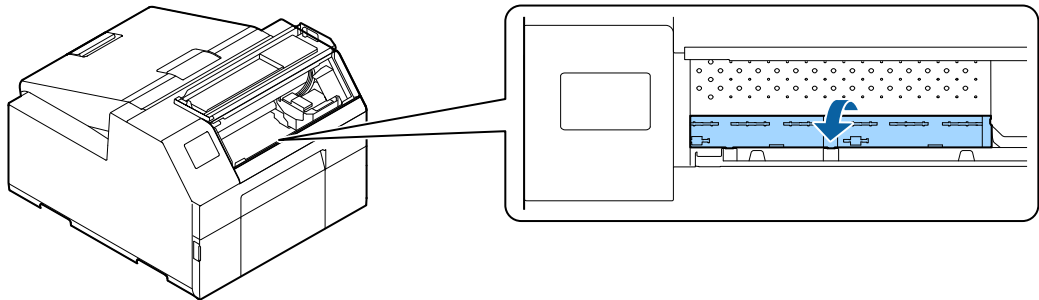
- 3 If there are ripped pieces of paper on the platen, remove them.



- 4** If the print head is not on the far right, hold it down and move it to the far right.
If there is jammed paper on the position that the print head was stopped, remove it.

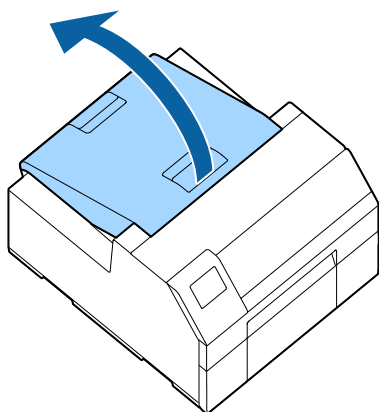


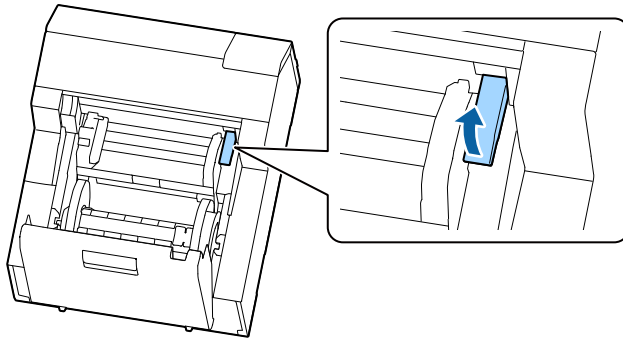
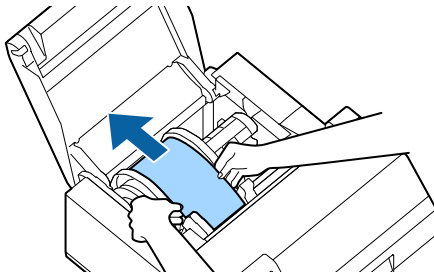
- 5** Raise the paper holder unit, and then remove any jammed paper.
Do not touch the roller at the bottom of the paper holder unit with your hand. Doing so may cause injury. ("Caution Label" on page 10)



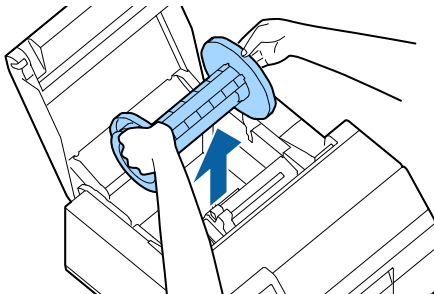
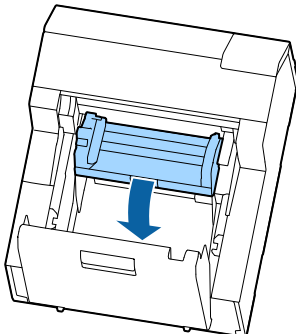
- 6** Lower the paper holder unit.

- 7** Open the paper cover.



8 Raise the release lever.**9** Pull the paper out from the paper feed slot.**10** Remove the spindle, if present.

As shown in the figure, hold the spindle and flange with both hands, and remove them.

**11** Raise the paper guide unit, and then remove any jammed paper from the inside.

- 12** Close the paper guide unit.
- 13** Lower the release lever.
- 14** Close the paper cover.
- 15** Close the front cover.
- 16** Press the [Pause] button.
The paper jam error will be cleared.

To resume printing, load the paper again.

(["How to Load Paper \(Auto Cutter Model - Supply from Inside\)"](#) on page 46, ["How to Load Paper \(Auto Cutter Model - Supply from Outside\)"](#) on page 50)



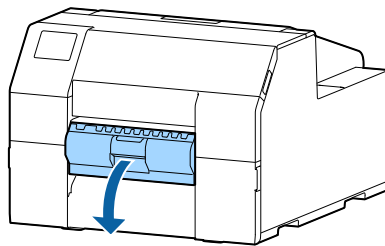
After removing jammed paper, make sure that there is no labels or adhesive left inside the printer.

If you use the printer without removing them, it leads to frequent paper jams, or may cause poor print quality.

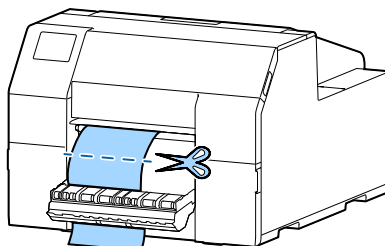
If paper jam occurs frequently, clean the inside of the printer.
(["Cleaning the Printer"](#) on page 178)

For the Peeler Model

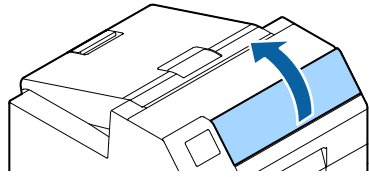
- 1** Open the peeler cover.



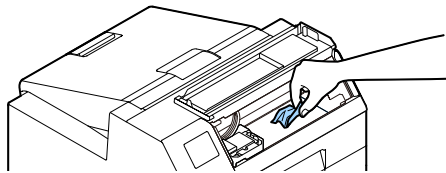
- 2** Cut the paper near the paper ejection slot.



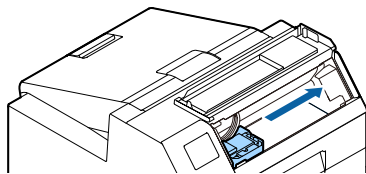
3 Open the front cover.



4 If there are ripped pieces of paper on the platen, remove them.

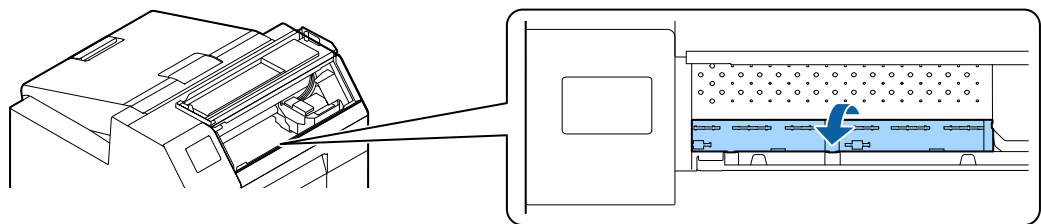


5 If the print head is not on the far right, hold it down and move it to the far right. If there is jammed paper on the position that the print head was stopped, remove it.



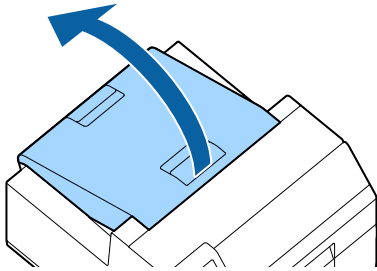
6 Raise the paper holder unit, and then remove any jammed paper.

Do not touch the roller at the bottom of the paper holder unit with your hand. Doing so may cause injury. ("Caution Label" on page 10)

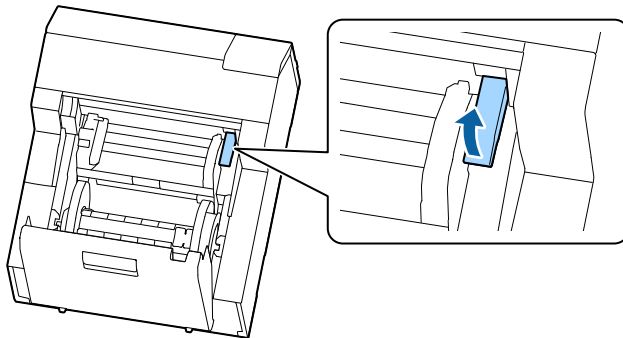


7 Lower the paper holder unit.

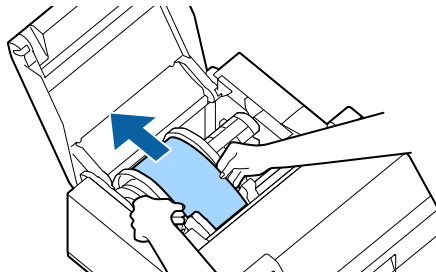
8 Open the paper cover.



9 Raise the release lever.

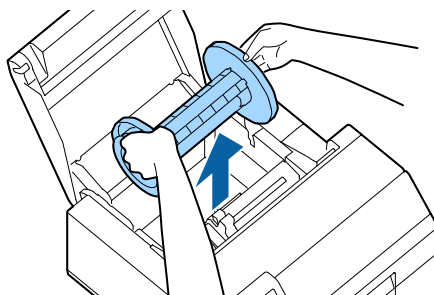


10 Pull the paper out from the paper feed slot.

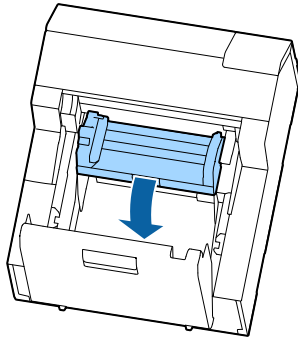


11 Remove the spindle, if present.

As shown in the figure, hold the spindle and flange with both hands, and remove them.



- 12** Raise the paper guide unit, and then remove any jammed paper from the inside.



- 13** Close the paper guide unit.
- 14** Lower the release lever.
- 15** Close the paper cover.
- 16** Close the front cover.
- 17** Close the peeler cover.
- 18** Press the [Pause] button.
The paper jam error will be cleared.

To resume printing, load the paper again.

(["How to Load Paper \(Peeler Model - Supply from Inside\)"](#) on page 54)



After removing jammed paper, make sure that there is no labels or adhesive left inside the printer.

If you use the printer without removing them, it leads to frequent paper jams, or may cause poor print quality.

If paper jam occurs frequently, clean the inside of the printer.

(["Cleaning the Printer"](#) on page 178)

Information for Application Development

This chapter provides printer control methods and other information necessary for developing an application.

How to Control the Printer

The printer control method differs depending on how to print from the printer.

Application specifications	Printer control method	Page
Print using the printer driver that is installed following the setup workflow described in chapter 2.	Use the printer driver.	Page 66
Print using your application developed with reference to Epson Inkjet Label Printer SDK.	Use the Epson Inkjet Label Printer SDK commands.	Page 215
Print using your application that directly controls ESC/Label commands.	Use the ESC/Label commands.	Page 215
Print using an existing application and printer driver that were used for a printer using ZPL II commands. Change from preprint system to on-demand print system.	Change the printer settings to replace the printer.	Page 216

Using the Epson Inkjet Label Printer SDK

The SDK provides you an environment required for your application to print through the Epson printer driver. The followings are included.

Item	Description
Epson Inkjet Label Printer SDK User's Guide	Describes overview of Epson Inkjet Label Printer SDK configuration, functions required for controlling the Epson inkjet label printer from an application, how to use the sample programs, and printer driver settings that need to be configured in advance.
EPDI (EPSON Printer Driver Interface)	EPDI (EPSON Printer Driver Interface) provides application programming interfaces of Epson printer driver. By using the EPDI, you can configure the Epson printer driver settings from your application. For details about EPDI and information necessary to use it on your application programming, see "EPDI for Inkjet Label Printer Reference Guide" included in this SDK.
EpsonNet SDK	EpsonNet SDK provides API commands to get status of Epson inkjet label printer. For details about the API and information necessary to use it on your application programming, see "EpsonNet SDK for Windows Reference Guide" included in this SDK.
Label Print Sample Program	Provides executable files and source files of the program that perform printing from Epson inkjet label printer using Epson Inkjet Label Printer SDK. For instructions on how to use the sample programs, see "Epson Inkjet Label Printer SDK User's Guide".

Operating Environment

OS	Refer to the Appendix.
Software	Printer driver (install it using Install Navi) .NET Framework Ver.3.5 (not provided by Epson. Please get the software by yourself.)

How to Get Software

Contact qualified service personnel.

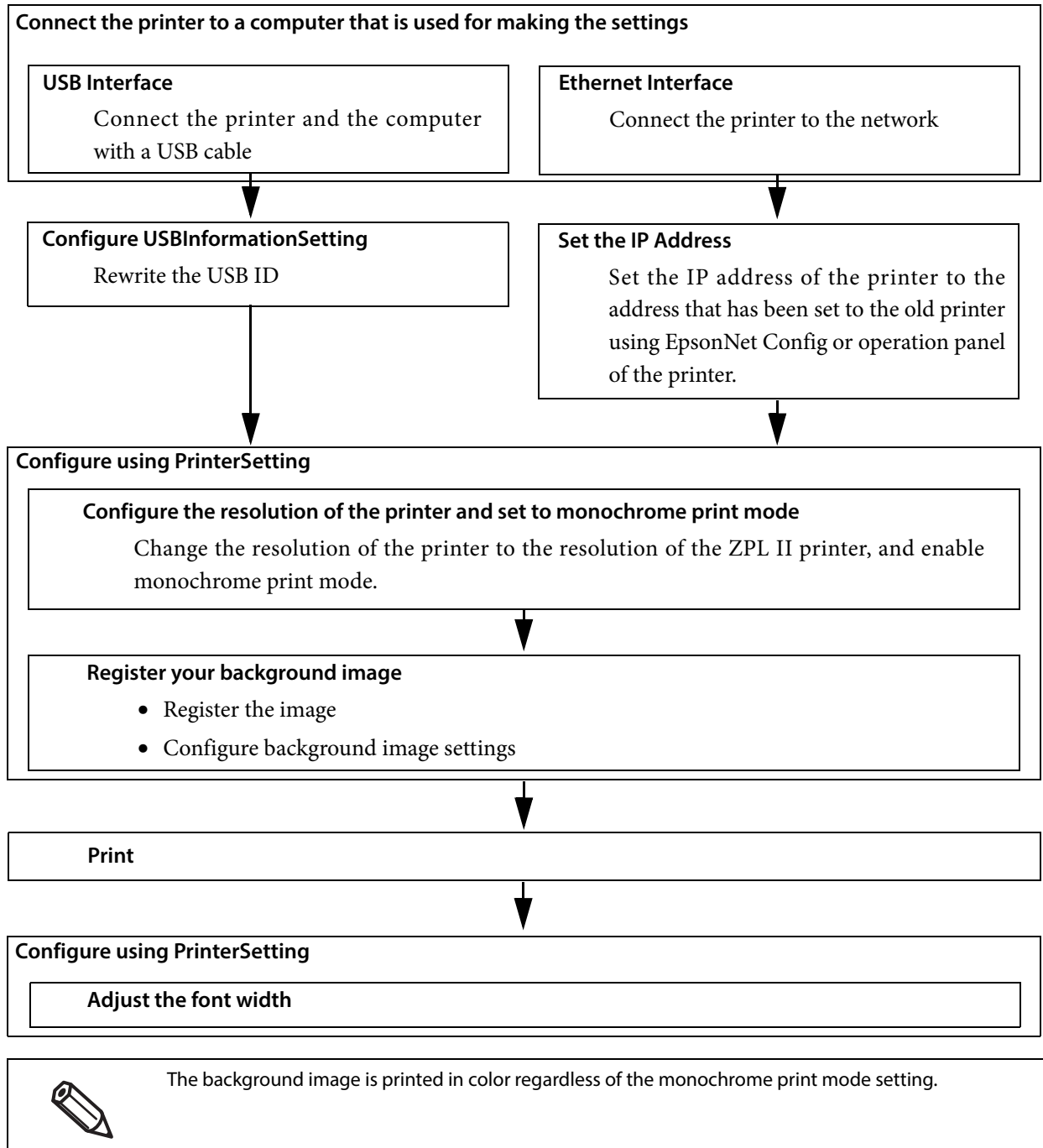
Using the ESC/Label Commands

The ESC/Label commands allow you to print directly from your application without using the printer driver. For more details about ESC/Label commands, contact qualified service personnel.

Changing Printer Settings and Replacing Printer

If you want to print from the printer using an existing application and printer driver that were used for a ZPL II printer, you need to change the printer settings so that they match with the settings of the ZPL II printer.

In addition, if you have printed colored background image on labels, and then printed monochrome data on the preprinted labels, make the settings as described below.



Connecting the Printer to a Computer for Making the Settings

Connect the printer and the computer that you use for making the settings with a USB cable or via a network.

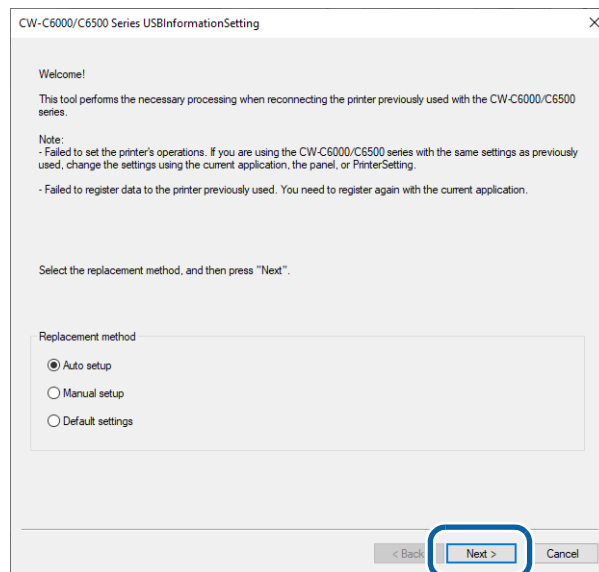
See ["Rear"](#) on page 19 or ["Setup without using Install Navi"](#) on page 42.

For USB Interface

Configuring USBInformationSetting

When connecting the printer to the computer with a USB cable, change the printer's USB ID to that of the old printer using USBInformationSetting. Follow the procedure below.

- 1 Click [Start] - [EPSON] - [CW-C6XXX Series] - [USBInformationSetting].
- 2 USBInformationSetting is started. Select a replacement method, and then click [Next].

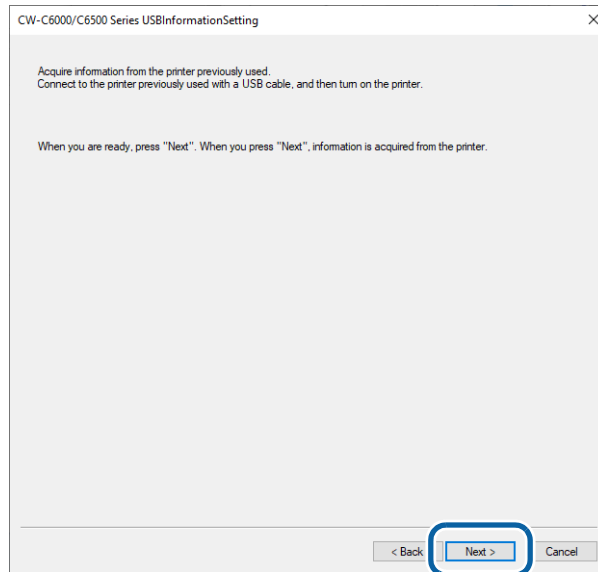


Item	Description
Replacement method	Select [Auto setup].

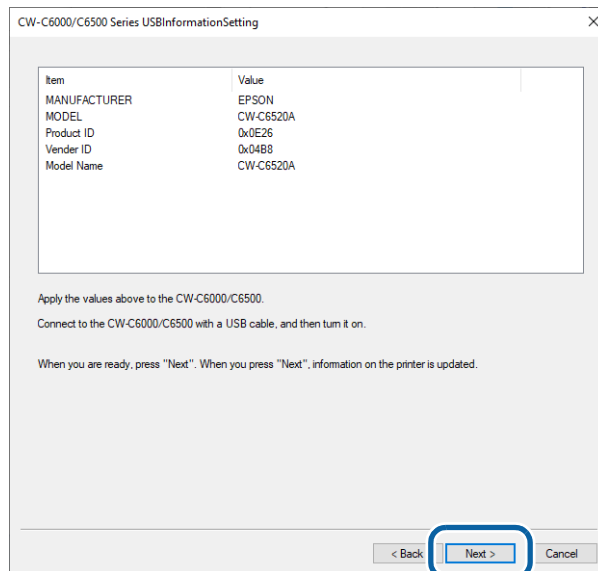


The [Auto setup] option automatically gets USB ID of the old printer, and sets the USB ID to the new printer.

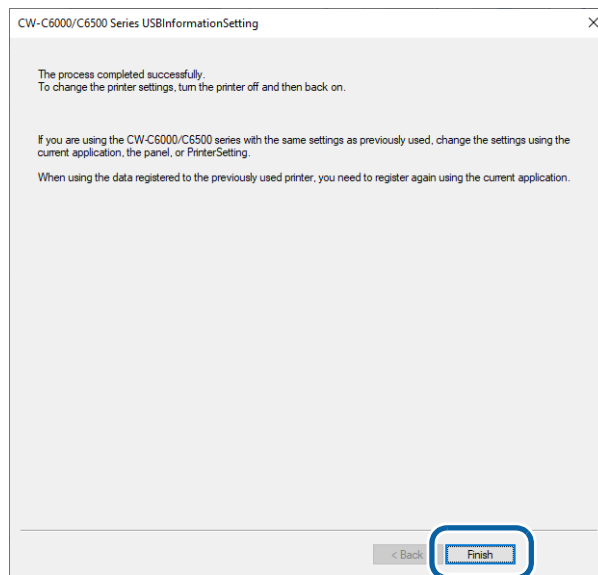
- 3 Connect the old printer to the computer with a USB cable, and then turn on the printer. Click [Next].



- 4 Information of the old printer is acquired. Then, disconnect the old printer from the computer.
- 5 Connect the new printer to the computer with a USB cable, and then turn on the printer. Click [Next].



- 6** The window shown below is displayed when the settings were completed successfully. Click [Finish].



- 7** Turn the printer off and then back on.

For Ethernet Interface

Setting the IP Address

Set the IP address of the printer.

For the setting procedure, see ["How to Configure the Network Settings" on page 42](#).

Configuring the Printer Resolution and Setting to Monochrome Print Mode

Using PrinterSetting, change the resolution of the printer to the resolution of the old printer.

Then enable the monochrome print mode. For the setting procedure, see ["Replace settings from printer using ZPL II commands" on page 146](#).

Registering Your Background Image

Register your background image using PrinterSetting.

Registering the image

Set the image to be used as background image. See ["Store data in the printer" on page 132](#).

Setting background image

Configure the background image settings. For the setting procedure, see ["Background image settings" on page 133](#).

Printing

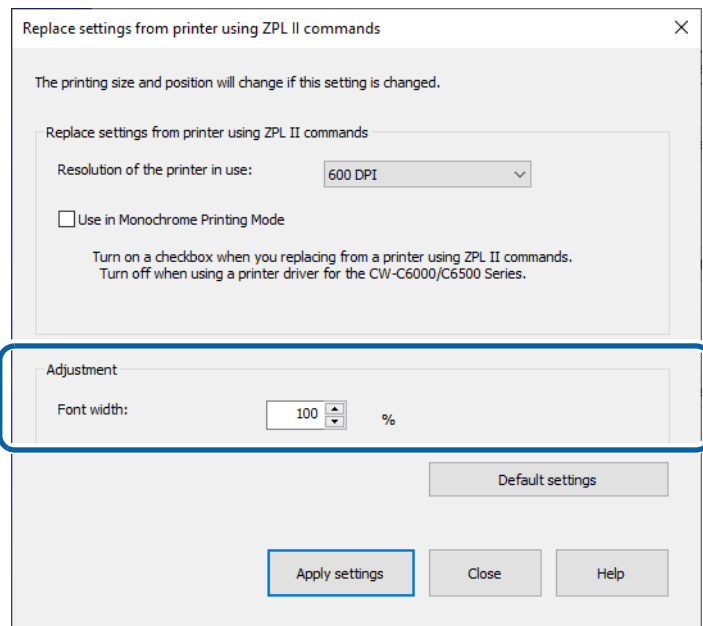
Let the printer print under conditions where the printer is actually used, then check the print results.

Adjusting Font Width

After checking print results, if you feel that the font width is not appropriate, you can adjust the font width using PrinterSetting.

Display [Replace settings from printer using ZPL II commands] window, and then adjust font width.

See "[Replace settings from printer using ZPL II commands](#)" on page 146 for instructions on how to display [Replace settings from printer using ZPL II commands] window.



If you want to change the height of font or space between lines, configure it on an application.

Software and Manuals

The following pieces of software and manuals are provided for application developers.

Software

Name	Description	Providing Method
Install Navi	Allows you to install the printer driver and other software, and also connect the product with the computer.	
Printer driver for Windows	Driver to print from Windows applications. The utility (CW-C6XXX PrinterSetting) for configuring the printer settings can be started from the driver. For details on how to use the driver, refer to Help or the video.	<ul style="list-style-type: none"> • CD-ROM • Web
Printer driver for Mac	Driver to print from Mac applications. For details on how to use the driver, refer to the driver's Help.	Web
EpsonNet Config	Tool to acquire or set network settings, such as TCP/IP of the product.	<ul style="list-style-type: none"> • CD-ROM • Web
Color Tone Matching Assistant	Assists you to adjust colors of illustrations or letters. You can check how a specific color used in illustrations or letters will look on printouts.	<ul style="list-style-type: none"> • CD-ROM • Web

Manual

Name	Description	Providing Method
Start Here	Guides you through basic setup steps from unpacking to loading paper.	<ul style="list-style-type: none"> • Included in the printer package • Web
User's Guide	Describes details about the functions and operating procedures of the product, maintenance information, and troubleshooting. It can be viewed from the supplied CD.	<ul style="list-style-type: none"> • CD-ROM • Web
ColorMax Series/ ColorMaxXL Series Technical Reference Guide (This manual)	Provides information necessary for installing the product, performing daily tasks, and developing a system using the product.	Web
Maintenance box manual	Precautions on handling the maintenance box are described.	<ul style="list-style-type: none"> • Included in the maintenance box package • Web

Appendix

Product Specifications

Item		ColorMax Series	ColorMaxXL Series
Printing method		Serial inkjet, dot matrix method Four-color printing	
Paper feed method		Forward and reverse friction feed	
Auto cutter (Auto cutter model only)	Cutting type	Full cut (cuts paper completely)	
Print resolution		300 × 600 dpi, 600 × 600 dpi 600 × 1200 dpi, 1200 × 1200 dpi	
Print speed	Print quality setting: Max Speed 300 × 600 dpi (width × height)	Printing width 101.6 mm: 119 mm/s	Printing width 203.2 mm: 85 mm/s
	Print quality setting: Speed 600 × 600 dpi (width × height)	Printing width 101.6 mm: 75 mm/s	Printing width 203.2 mm: 49 mm/s
	Print quality setting: Normal 600 × 600 dpi (width × height)	Printing width 101.6 mm: 48 mm/s	Printing width 203.2 mm: 34 mm/s
	Print quality setting: Quality 600 × 1200 dpi (width × height)	Printing width 101.6 mm: 18 mm/s	Printing width 203.2 mm: 13 mm/s
	Print quality setting: Max Quality 1200 × 1200 dpi (width × height)	Printing width 101.6 mm: 8 mm/s	Printing width 203.2 mm: 6 mm/s
Interface		Wired LAN (1000BASE-T/100BASE-TX /10BASE-T) USB2.0 High-Speed	
Weight	Auto cutter model	Approx. 22.5 kg	Approx. 25.5 kg
	Peeler model	Approx. 22.8 kg	Approx. 26.3 kg

Operating Environment

OS	<p>Microsoft Windows 10 (32 bit/64 bit)</p> <p>Microsoft Windows 8.1 (32 bit/64 bit)</p> <p>Microsoft Windows 8 (32 bit/64 bit)</p> <p>Microsoft Windows 7 SP1 (32 bit/64 bit)</p> <p>Microsoft Windows Vista SP2 (32 bit/64 bit)</p> <p>Microsoft Windows XP SP3 (32 bit)</p> <p>Microsoft Windows Server 2019</p> <p>Microsoft Windows Server 2016</p> <p>Microsoft Windows Server 2012 R2</p> <p>Microsoft Windows Server 2012</p> <p>Microsoft Windows Server 2008 R2</p> <p>Microsoft Windows Server 2008 (32 bit/64 bit)</p> <p>Microsoft Windows Server 2003 R2 (32 bit)</p>
Computer	The following computer that runs one of the above operating systems must be supported. PC/AT compatible machine
CPU	A computer that has Pentium 4 2 GHz or higher processor is recommended.
Memory	1 GB or more is recommended.
HDD	At least 250 MB is required.



The above requirements may not satisfy the minimum system requirements of the supported operating systems. In that case, satisfy the minimum system requirements of the operating system.

Paper Specifications

The paper that can be used with this printer are as follows.



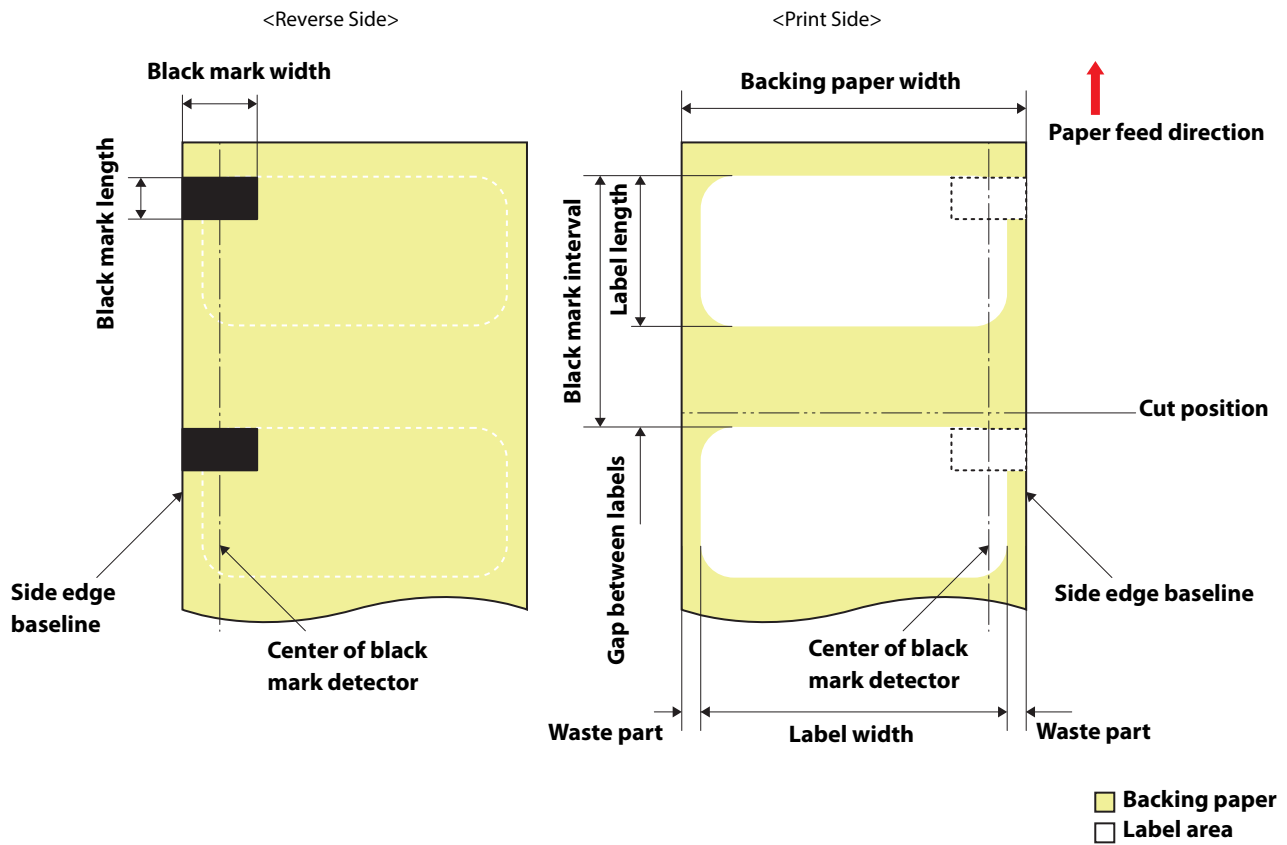
- If you use paper that does not satisfy the required specifications, it may cause paper jams or lead to a drop of paper feed accuracy, barcode readability, and print quality.
- Do not paste or tape the end edge of roll paper to the core. Otherwise, the printer will fail to detect the end of the paper resulting in wasting multiple labels on the roll paper.
- Depending on temperature and humidity of the place where paper is stored, the paper may be curled. Since degree of shrinkage due to temperature and humidity differs between synthetic labels and backing paper, the paper curling occurs. If you use the curled paper, the paper may be rubbed against the print head causing ink smear on printouts or paper jams.
- Do not use paper sheets connected to each other with pieces of tape or other material. If you use the connected paper, the seams may cause false detection, or the paper may be rubbed against the print head causing ink smear on printouts or paper jams.

ColorMax Series			Without perforation		With perforation	
	Paper Shape	Form of Paper (Label)	With black marks	Without black marks	With black marks	Without black marks
Auto cutter model	Roll	Die-cut	Page 226	Page 228	Page 229	Page 231
		Continuous	Page 233	Page 235	-	-
	Fanfold	Die-cut	-	-	Page 236	-
		Continuous	-	-	-	-
Peeler model	Roll	Die-cut	Page 238	Page 240	-	-
		Continuous	-	-	-	-
	Fanfold	Die-cut	-	-	-	-
		Continuous	-	-	-	-

ColorMaxXL Series			Without perforation		With perforation	
	Paper Shape	Form of Paper (Label)	With black marks	Without black marks	With black marks	Without black marks
Auto cutter model	Roll	Die-cut	Page 241	Page 243	Page 244	Page 246
		Continuous	Page 248	Page 250	-	-
	Fanfold	Die-cut	-	-	Page 251	-
		Continuous	-	-	-	-
Peeler model	Roll	Die-cut	Page 253	Page 255	-	-
		Continuous	-	-	-	-
	Fanfold	Die-cut	-	-	-	-
		Continuous	-	-	-	-

ColorMax Series (4-inch auto cutter model)

Roll Die-cut Label (Black Mark)



Form	Roll paper
Backing paper width	25.4 to 112 mm
Label width	21.4 to 108 mm
Label length	When auto cut is not used: 8 to 609.6 mm (up to 24 inches) When auto cut is used: 15 to 609.6 mm (up to 24 inches)
Gap between Labels	When auto cut is not used: 2 to 6 mm When auto cut is used: 2.5 to 6 mm
Waste part on the left and right	2 ± 0.5 mm
Label corner R	1.5 mm or less
Paper thickness	Matte Paper: 0.178 mm Synthetic: 0.235 mm Glossy Paper: 0.174 mm Glossy Film: 0.164mm High Glossy Paper: 0.188mm
Roll paper core inner diameter	76.2 mm ±0.5 mm
Roll paper outer diameter	203.2 mm or less

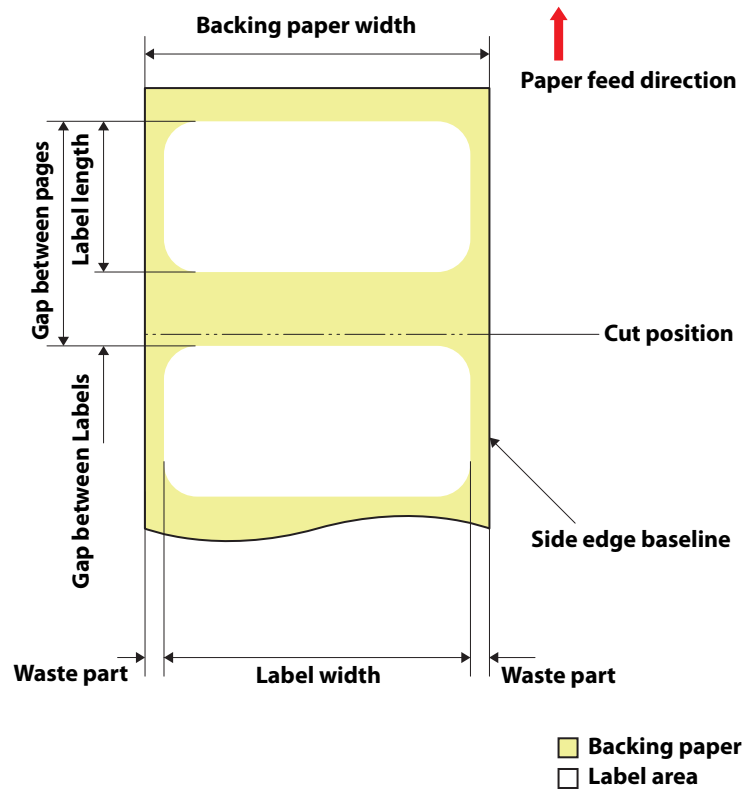
Winding direction	Print side must be facing outside (facing inside is unusable)
Black mark position	Each black mark should extend at least 18.4 mm from side edge baseline.
Black mark width	18.4 mm or more
Black mark length	4 to 25.4 mm, 4 mm or more of blank space on label
Black mark interval*1	When auto cut is not used: 10 to 615.6 mm When auto cut is used: 17.5 to 615.6 mm

*1: It is not allowed to have another black mark in the intervening space between the black marks (black mark interval).



- Paper with holes or cutouts cannot be used.
- Set the cut position to a position at least 1.7 mm away from the black mark of the next label.
- Set the start position of the first label to a position at least 1.5 mm away from the leading edge of the backing paper.

Roll Die-cut Label (without Black Mark)

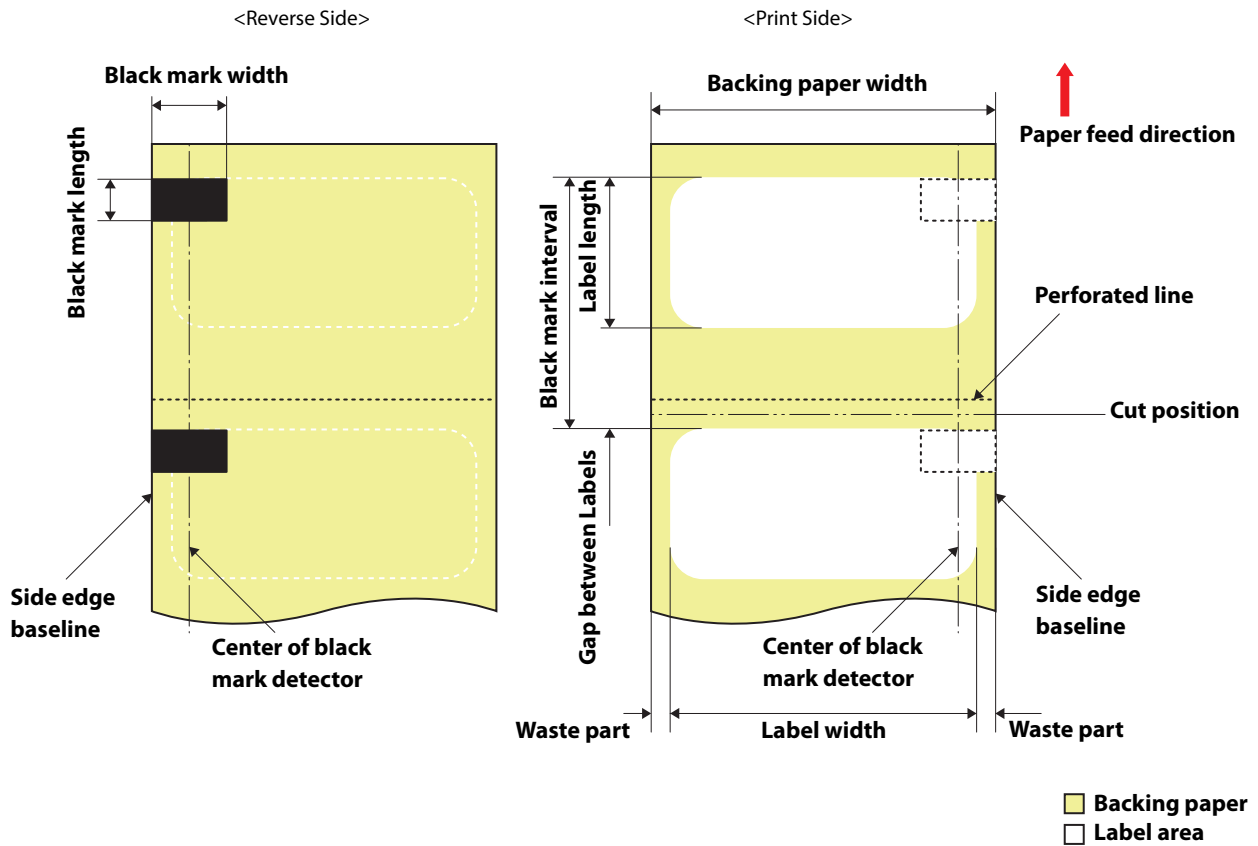


Form	Roll paper
Backing paper width	25.4 to 112 mm
Label width	21.4 to 108 mm
Label length	When auto cut is not used: 8 to 609.6 mm (up to 24 inches) When auto cut is used: 15 to 609.6 mm (up to 24 inches)
Gap between Labels	2 to 6 mm
Waste part on the left and right	2 ± 0.5 mm
Label corner R	1.5 mm or less
Paper thickness	Matte Paper: 0.178 mm Synthetic: 0.235 mm Glossy Paper: 0.174 mm Glossy Film: 0.164mm High Glossy Paper: 0.188mm
Roll paper core inner diameter	76.2 mm \pm 0.5 mm
Roll paper outer diameter	203.2 mm or less
Winding direction	Print side must be facing outside (facing inside is unusable)



- Paper with holes or cutouts cannot be used.
- Set the cut position to a position at least 0.7 mm away from the leading edge of the next label.
- Set the start position of the first label to a position at least 1.5 mm away from the leading edge of the backing paper.

Roll paper Die-cut Label with perforation (Black Mark)



Form	Roll paper
Backing paper width	25.4 to 112 mm
Label width	21.4 to 108 mm
Label length	When auto cut is not used: 8 to 609.6 mm (up to 24 inches) When auto cut is used: 15 to 609.6 mm (up to 24 inches)
Gap between Labels	When auto cut is not used: 2 to 6 mm When auto cut is used: 3 to 6 mm
Waste part on the left and right	2 ± 0.5 mm
Label corner R	1.5 mm or less
Paper thickness	Matte Paper: 0.178 mm Synthetic: 0.235 mm Glossy Paper: 0.174 mm Glossy Film: 0.164mm High Glossy Paper: 0.188mm
Roll paper core inner diameter	76.2 mm ± 0.5 mm
Roll paper outer diameter	203.2 mm or less
Winding direction	Print side must be facing outside (facing inside is unusable)

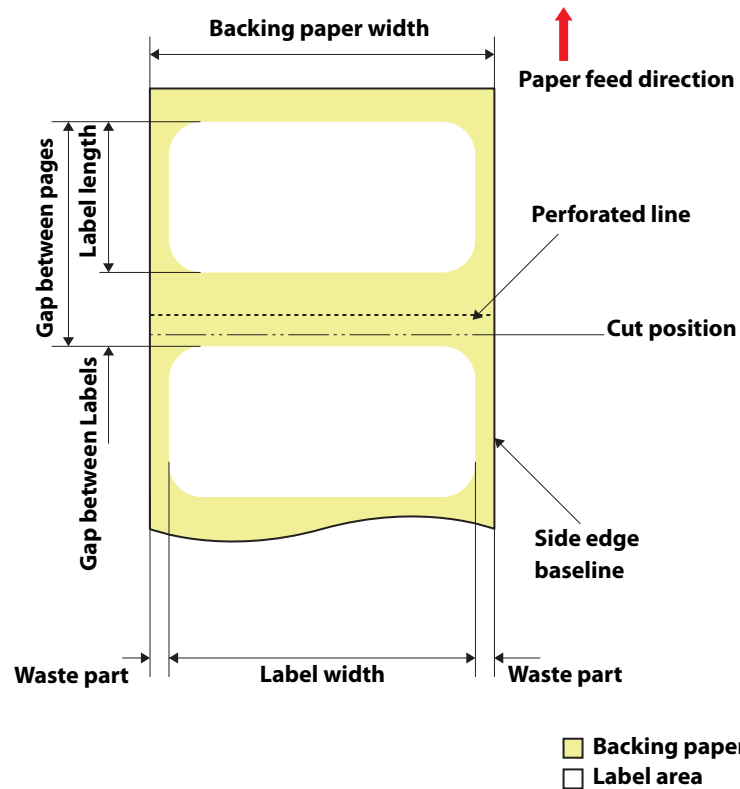
Black mark position	Each black mark should extend at least 18.4 mm from side edge baseline.
Black mark width	18.4 mm or more
Black mark length	4 to 25.4 mm, 4 mm or more of blank space on label
Black mark interval*1	When auto cut is not used: 10 to 615.6 mm When auto cut is used: 18 to 615.6 mm
Perforation interval	Three (hole portion) to one (no hole portion)
Perforation form	Usable if a hole is located at side edges

*1: It is not allowed to have another black mark in the intervening space between the black marks (black mark interval).



- Paper with holes or cutouts cannot be used.
- Auto cutting on the perforated lines will generate scraps of paper that may cause problems. Also, auto cutting ahead of the perforated line may cause problems when feeding paper. Therefore, perform auto cutting when paper is fed at least 0.8 mm away from the perforated line.
- Set the black mark position to a position at least 2.5 mm away from the perforated line.
- Set the cut position to a position at least 1.7 mm away from the black mark of the next label.
- Set the start position of the first label to a position at least 1.5 mm away from the leading edge of the backing paper.

Roll paper Die-cut Label with perforation (without black marks)

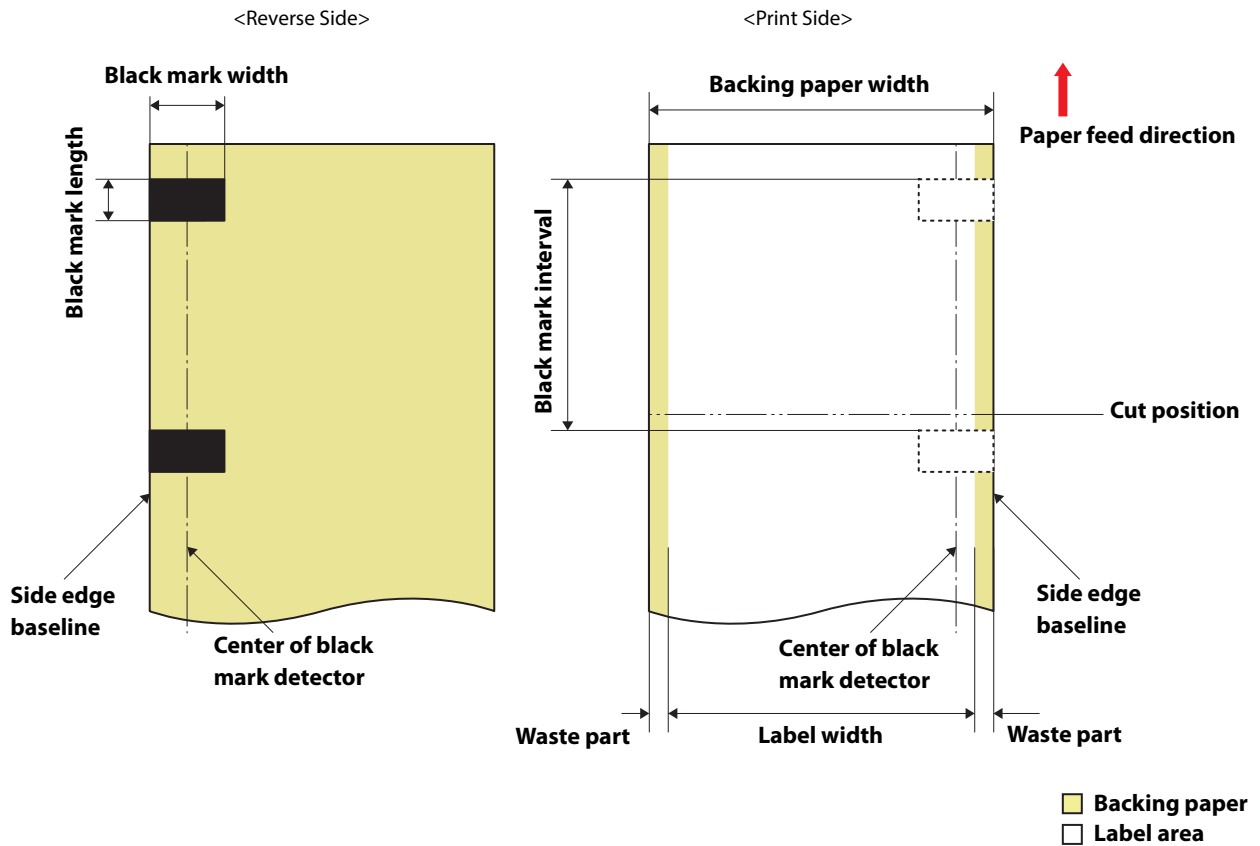


Form	Roll paper
Backing paper width	25.4 to 112 mm
Label width	21.4 to 108 mm
Label length	When auto cut is not used: 8 to 609.6 mm (up to 24 inches) When auto cut is used: 15 to 609.6 mm (up to 24 inches)
Gap between Labels	When auto cut is not used: 2 to 6 mm When auto cut is used: 3 to 6 mm
Waste part on the left and right	2 ± 0.5 mm
Label corner R	1.5 mm or less
Paper thickness	Matte Paper: 0.178 mm Synthetic: 0.235 mm Glossy Paper: 0.174 mm Glossy Film: 0.164mm High Glossy Paper: 0.188mm
Roll paper core inner diameter	$76.2 \text{ mm} \pm 0.5 \text{ mm}$
Roll paper outer diameter	203.2 mm or less
Winding direction	Print side must be facing outside (facing inside is unusable)
Perforation interval	Three (hole portion) to one (no hole portion)
Perforation form	Usable if a hole is located at side edges



- Paper with holes or cutouts cannot be used.
- Auto cutting on the perforated lines will generate scraps of paper that may cause problems. Also, auto cutting ahead of the perforated line may cause problems when feeding paper. Therefore, perform auto cutting when paper is fed at least 0.8 mm away from the perforated line.
- Set the leading edge of the next label to a position at least 1.5 mm away from the perforated line.
- Set the cut position to a position at least 0.7 mm away from the leading edge of the next label.

Roll paper Continuous Label (Black Mark)



Form	Roll paper
Backing paper width	25.4 to 112 mm
Label width	With waste part: 25.4 to 112 mm Without waste part: 21.4 to 108 mm
Label length	-
Gap between Labels	-
Waste part on the left and right	With waste part: - Without waste part: 2 ± 0.5 mm
Label corner R	-
Paper thickness	Matte Paper: 0.178 mm Synthetic: 0.235 mm Glossy Paper: 0.174 mm Glossy Film: 0.164mm High Glossy Paper: 0.188mm
Roll paper core inner diameter	76.2 mm ± 0.5 mm
Roll paper outer diameter	203.2 mm or less
Winding direction	Print side must be facing outside (facing inside is unusable)
Black mark position	Each black mark should extends at least 18.4 mm from side edge baseline.

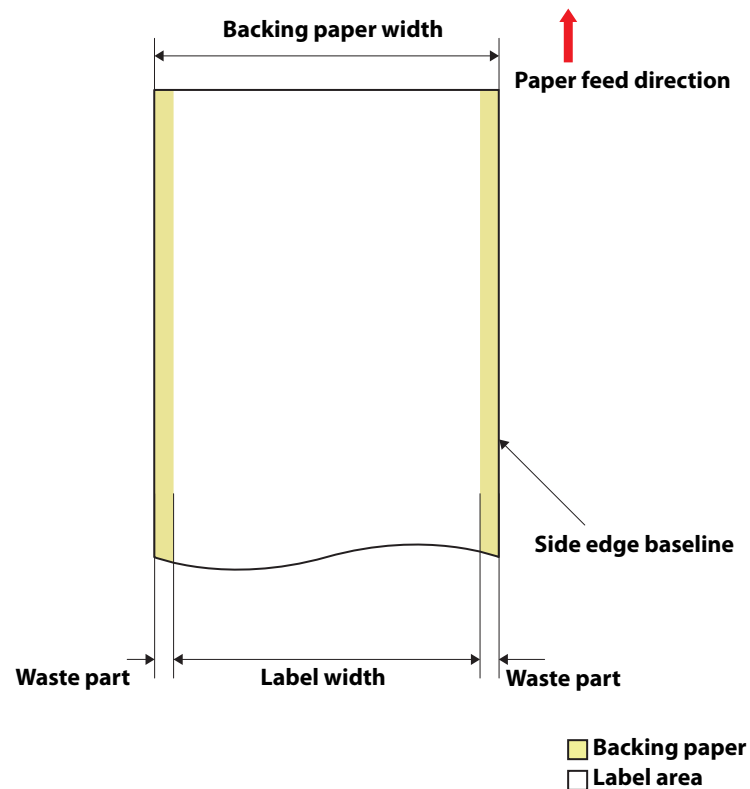
Black mark width	18.4 mm or more
Black mark length	4 to 25.4 mm, 4 mm or more of blank space on label
Black mark interval*1	When auto cut is not used: 8 to 615.6 mm When auto cut is used: 15 to 615.6 mm

*1: It is not allowed to have another black mark in the intervening space between the black marks (black mark interval).



- Paper with holes or cutouts cannot be used.
- Set the cut position to a position at least 1.7 mm away from the black mark of the next label.
- Set the start position of the first label to a position at least 1.5 mm away from the leading edge of the backing paper.

Roll paper Continuous label (without black marks)

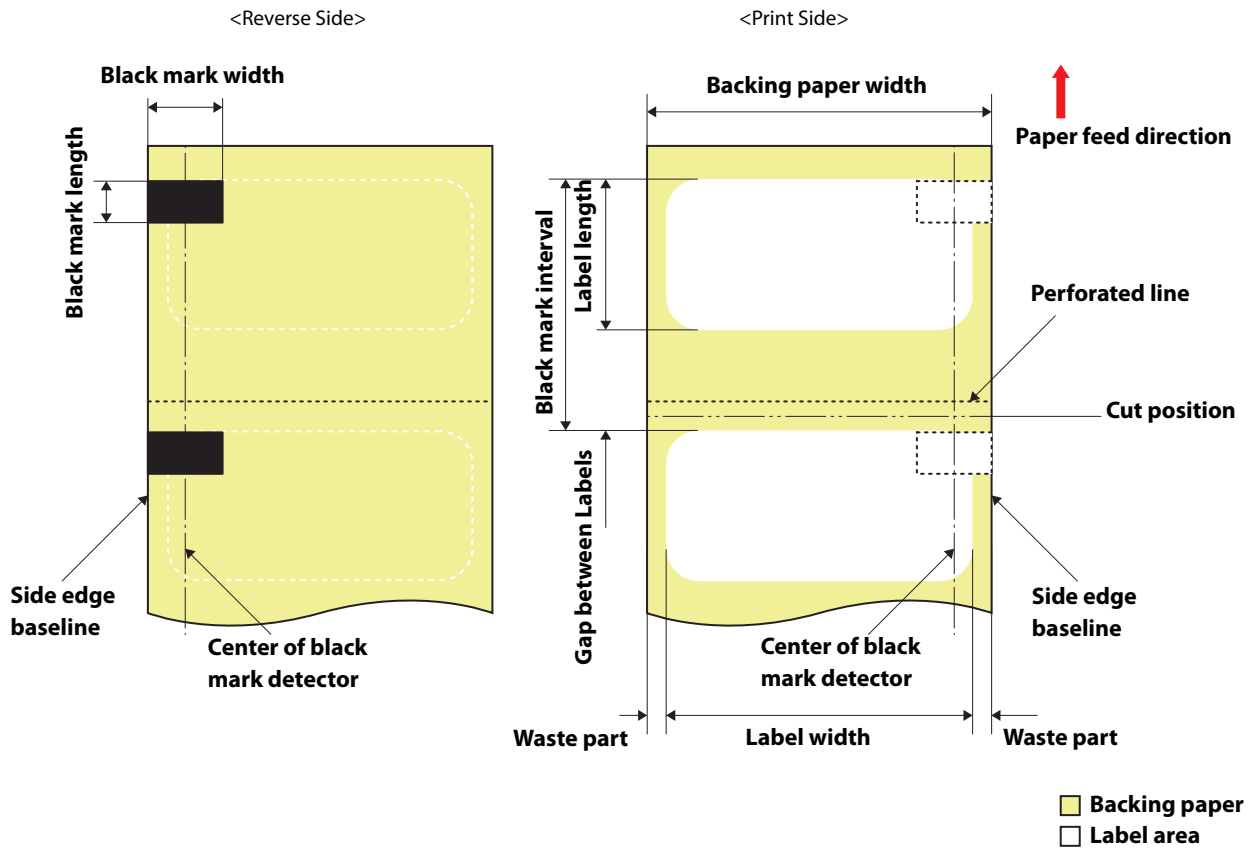


Form	Roll paper
Backing paper width	25.4 to 112 mm
Label width	With waste part: 25.4 to 112 mm Without waste part: 21.4 to 108 mm
Label length	-
Gap between Labels	-
Waste part on the left and right	With waste part: - Without waste part: 2 ± 0.5 mm
Label corner R	-
Paper thickness	Matte Paper: 0.178 mm Synthetic: 0.235 mm Glossy Paper: 0.174 mm Glossy Film: 0.164mm High Glossy Paper: 0.188mm
Roll paper core inner diameter	76.2 mm \pm 0.5 mm
Roll paper outer diameter	203.2 mm or less
Winding direction	Print side must be facing outside (facing inside is unusable)



- Paper with holes or cutouts cannot be used.

Fanfold Die-cut Label (Black Mark)



Form	Fanfold
Backing paper width	25.4 to 112 mm
Label width	21.4 to 108 mm
Label length	When auto cut is not used: 8 to 301.8 mm (up to 11.9 inches) When auto cut is used: 15 to 301.8 mm (up to 11.9 inches)
Gap between Labels	When auto cut is not used: 2 to 6 mm When auto cut is used: 3 to 6 mm
Waste part on the left and right	2 ± 0.5 mm
Label corner R	1.5 mm or less
Paper thickness	Matte Paper: 0.178 mm Synthetic: 0.235 mm Glossy Paper: 0.174 mm Glossy Film: 0.164mm High Glossy Paper: 0.188mm
The number of folds	750 or less
Perforated line interval	152.4 to 304.8 mm (6 to 12 inches)
Black mark position	Each black mark should extends at least 18.4 mm from side edge baseline.
Black mark width	18.4 mm or more

Black mark length	4 to 25.4 mm, 4 mm or more of blank space on label
Black mark interval*1	When auto cut is not used: 10 to 307.8 mm When auto cut is used: 18 to 307.8 mm
Perforation interval	Three (hole portion) to one (no hole portion)
Perforation form	Usable if a hole is located at side edges

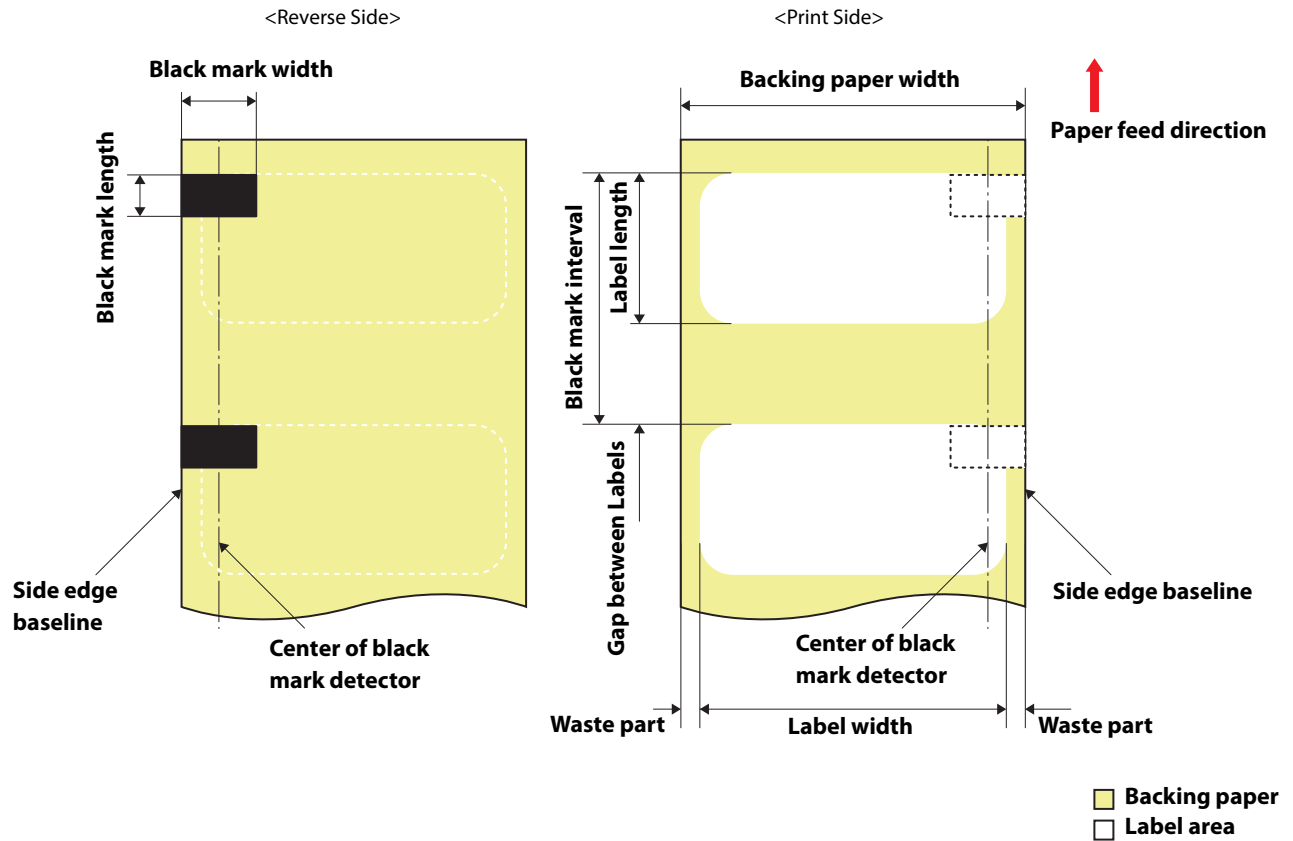
*1: It is not allowed to have another black mark in the intervening space between the black marks (black mark interval).



- Paper with holes or cutouts cannot be used.
- Auto cutting on the perforated lines will generate scraps of paper that may cause problems. Also, auto cutting ahead of the perforated line may cause problems when feeding paper. Therefore, perform auto cutting when paper is fed at least 0.8 mm away from the perforated line.
- Set the black mark position to a position at least 2.5 mm away from the perforated line.
- Set the cut position to a position at least 1.7 mm away from the black mark of the next label.
- Set the start position of the first label to a position at least 1.5 mm away from the leading edge of the backing paper.

ColorMax Series (4-inch peeler model)

Roll Die-cut Label (Black Mark)



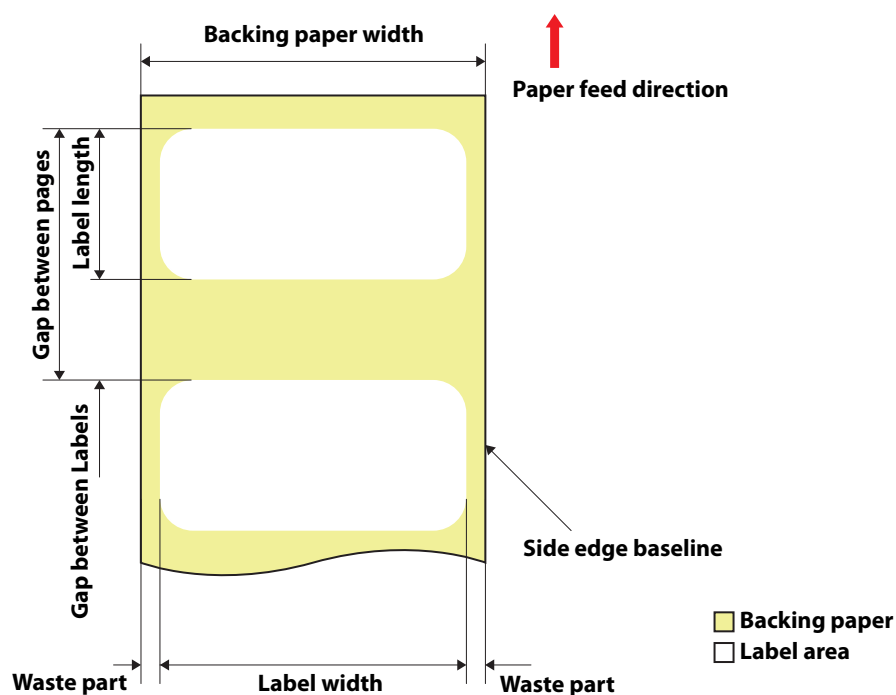
Form	Roll paper
Backing paper width	25.4 to 112 mm
Label width	21.4 to 108 mm
Label length	When peeler is not used: 8 to 609.6 mm (up to 24 inches) When peeler is used: 12.7 to 609.6 mm (up to 24 inches)
Gap between Labels	2 to 6 mm
Waste part on the left and right	2 ± 0.5 mm
Label corner R	1.5 mm or less
Paper thickness	Matte Paper: 0.178 mm Synthetic: 0.235 mm Glossy Paper: 0.174 mm Glossy Film: 0.164mm High Glossy Paper: 0.188mm
Roll paper core inner diameter	76.2 mm \pm 0.5 mm
Roll paper outer diameter	203.2 mm or less
Winding direction	Print side must be facing outside (facing inside is unusable)

Black mark position	Each black mark should extends at least 18.4 mm from side edge baseline.
Black mark width	18.4 mm or more
Black mark length	4 to 25.4 mm, 4 mm or more of blank space on label
Black mark interval	When peeler is not used: 10 to 615.6 mm When peeler is used: 14.7 to 615.6 mm



- Paper with holes or cutouts cannot be used.
- Set the start position of the first label to a position at least 1.5 mm away from the leading edge of the backing paper.
- You cannot use paper with perforation. If you use the paper, the perforation may be torn and/or a paper jam may occur.
- If a blade of die had cut deep into paper, the die-cut labels become hard to be removed from the backing paper, and the peeler may fail to peel off those die-cut labels.

Roll Die-cut Label (without Black Mark)



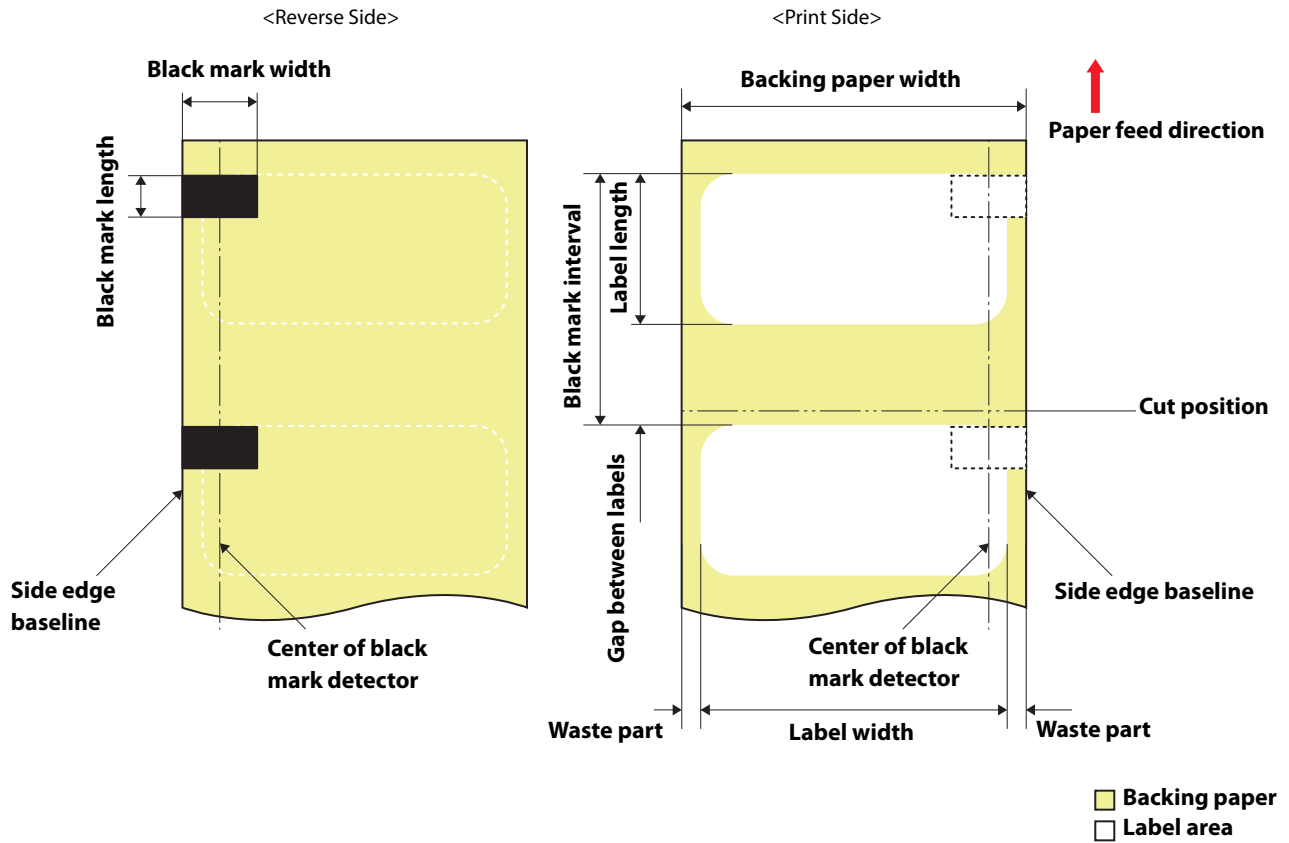
Form	Roll paper
Backing paper width	25.4 to 112 mm
Label width	21.4 to 108 mm
Label length	When peeler is not used: 8 to 609.6 mm (up to 24 inches) When peeler is used: 12.7 to 609.6 mm (up to 24 inches)
Gap between Labels	2 to 6 mm
Waste part on the left and right	2 ± 0.5 mm
Label corner R	1.5 mm or less
Paper thickness	Matte Paper: 0.178 mm Synthetic: 0.235 mm Glossy Paper: 0.174 mm Glossy Film: 0.164mm High Glossy Paper: 0.188mm
Roll paper core inner diameter	76.2 mm \pm 0.5 mm
Roll paper outer diameter	203.2 mm or less
Winding direction	Print side must be facing outside (facing inside is unusable)



- Paper with holes or cutouts cannot be used.
- Set the start position of the first label to a position at least 1.5 mm away from the leading edge of the backing paper.
- You cannot use paper with perforation. If you use the paper, the perforation may be torn and/or a paper jam may occur.
- If a blade of die had cut deep into paper, the die-cut labels become hard to be removed from the backing paper, and the peeler may fail to peel off those die-cut labels.

ColorMaxXL Series (8-inch auto cutter model)

Roll Die-cut Label (Black Mark)



Form	Roll paper
Backing paper width	25.4 to 215.9 mm
Label width	21.4 to 211.9 mm
Label length	When auto cut is not used: 8 to 609.6 mm (up to 24 inches) When auto cut is used: 15 to 609.6 mm (up to 24 inches)
Gap between Labels	When auto cut is not used: 2 to 6 mm When auto cut is used: 2.5 to 6 mm
Waste part on the left and right	2 ± 0.5 mm
Label corner R	1.5 mm or less
Paper thickness	Matte Paper: 0.178 mm Synthetic: 0.235 mm Glossy Paper: 0.174 mm Glossy Film: 0.164mm High Glossy Paper: 0.188mm
Roll paper core inner diameter	76.2 mm ±0.5 mm
Roll paper outer diameter	152.4 mm or less

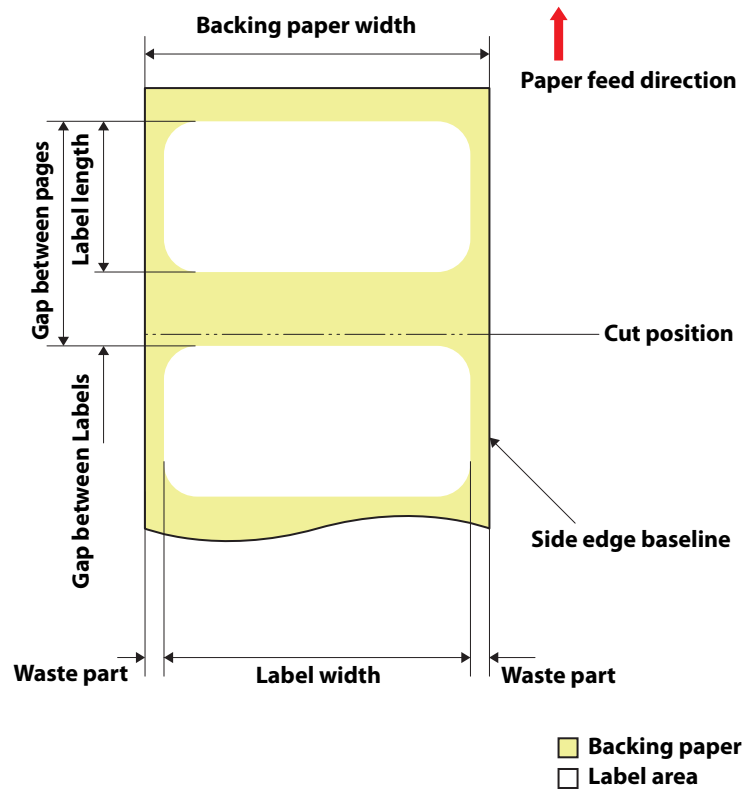
Winding direction	Print side must be facing outside (facing inside is unusable)
Black mark position	Each black mark should extends at least 18.4 mm from side edge baseline.
Black mark width	18.4 mm or more
Black mark length	4 to 25.4 mm, 4 mm or more of blank space on label
Black mark interval* 1	When auto cut is not used: 10 to 615.6 mm When auto cut is used: 18 to 615.6 mm

*1: It is not allowed to have another black mark in the intervening space between the black marks (black mark interval).



- Paper with holes or cutouts cannot be used.
- Set the cut position to a position at least 1.7 mm away from the black mark of the next label.
- Set the start position of the first label to a position at least 1.5 mm away from the leading edge of the backing paper.

Roll Die-cut Label (without Black Mark)

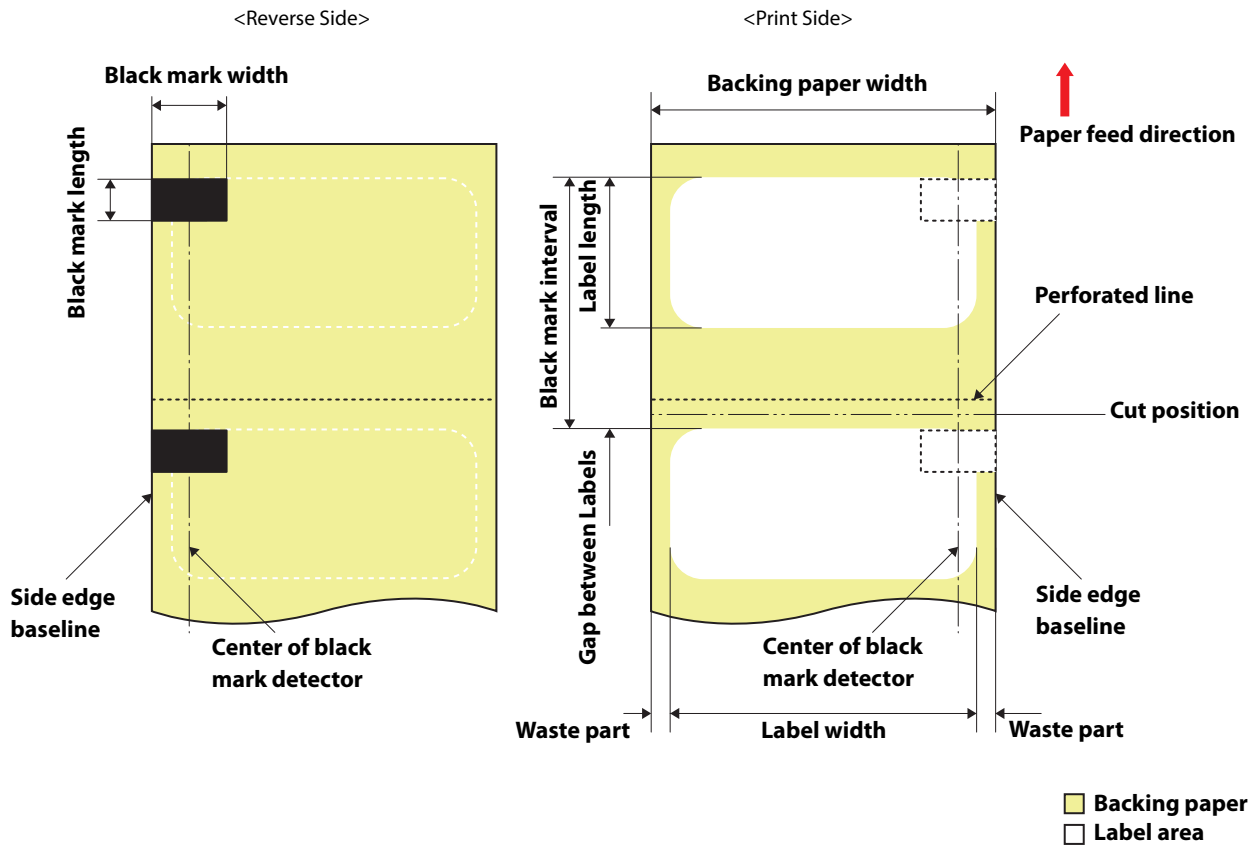


Form	Roll paper
Backing paper width	25.4 to 215.9 mm
Label width	21.4 to 211.9 mm
Label length	When auto cut is not used: 8 to 609.6 mm (up to 24 inches) When auto cut is used: 15 to 609.6 mm (up to 24 inches)
Gap between Labels	2 to 6 mm
Waste part on the left and right	2 ± 0.5 mm
Label corner R	1.5 mm or less
Paper thickness	Matte Paper: 0.178 mm Synthetic: 0.235 mm Glossy Paper: 0.174 mm Glossy Film: 0.164mm High Glossy Paper: 0.188mm
Roll paper core inner diameter	76.2 mm \pm 0.5 mm
Roll paper outer diameter	152.4 mm or less
Winding direction	Print side must be facing outside (facing inside is unusable)



- Paper with holes or cutouts cannot be used.
- Set the cut position to a position at least 0.7 mm away from the leading edge of the next label.
- Set the start position of the first label to a position at least 1.5 mm away from the leading edge of the backing paper.

Roll paper Die-cut Label with perforation (Black Mark)



Form	Roll paper
Backing paper width	25.4 to 215.9 mm
Label width	21.4 to 211.9 mm
Label length	When auto cut is not used: 8 to 609.6 mm (up to 24 inches) When auto cut is used: 15 to 609.6 mm (up to 24 inches)
Gap between Labels	When auto cut is not used: 2 to 6 mm When auto cut is used: 3 to 6 mm
Waste part on the left and right	2 ± 0.5 mm
Label corner R	1.5 mm or less
Paper thickness	Matte Paper: 0.178 mm Synthetic: 0.235 mm Glossy Paper: 0.174 mm Glossy Film: 0.164mm High Glossy Paper: 0.188mm
Roll paper core inner diameter	76.2 mm ± 0.5 mm
Roll paper outer diameter	152.4 mm or less
Winding direction	Print side must be facing outside (facing inside is unusable)

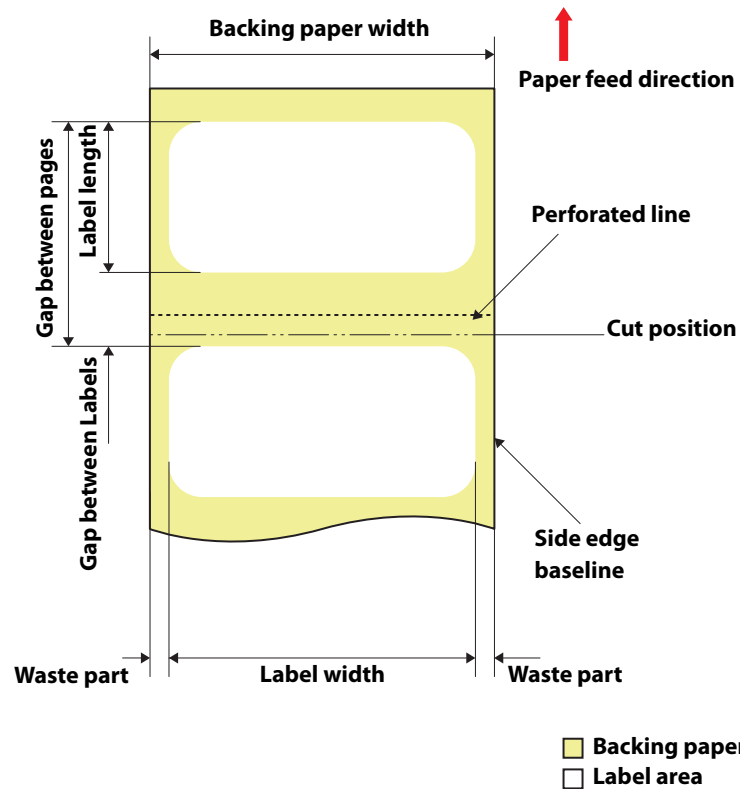
Black mark position	Each black mark should extend at least 18.4 mm from side edge baseline.
Black mark width	18.4 mm or more
Black mark length	4 to 25.4 mm, 4 mm or more of blank space on label
Black mark interval*1	When auto cut is not used: 10 to 615.6 mm When auto cut is used: 18 to 615.6 mm
Perforation interval	Three (hole portion) to one (no hole portion)
Perforation form	Usable if a hole is located at side edges

*1: It is not allowed to have another black mark in the intervening space between the black marks (black mark interval).



- Paper with holes or cutouts cannot be used.
- Auto cutting on the perforated lines will generate scraps of paper that may cause problems. Also, auto cutting ahead of the perforated line may cause problems when feeding paper. Therefore, perform auto cutting when paper is fed at least 0.8 mm away from the perforated line.
- Set the black mark position to a position at least 2.5 mm away from the perforated line.
- Set the cut position to a position at least 1.7 mm away from the black mark of the next label.
- Set the start position of the first label to a position at least 1.5 mm away from the leading edge of the backing paper.

Roll paper Die-cut Label with perforation (without black marks)

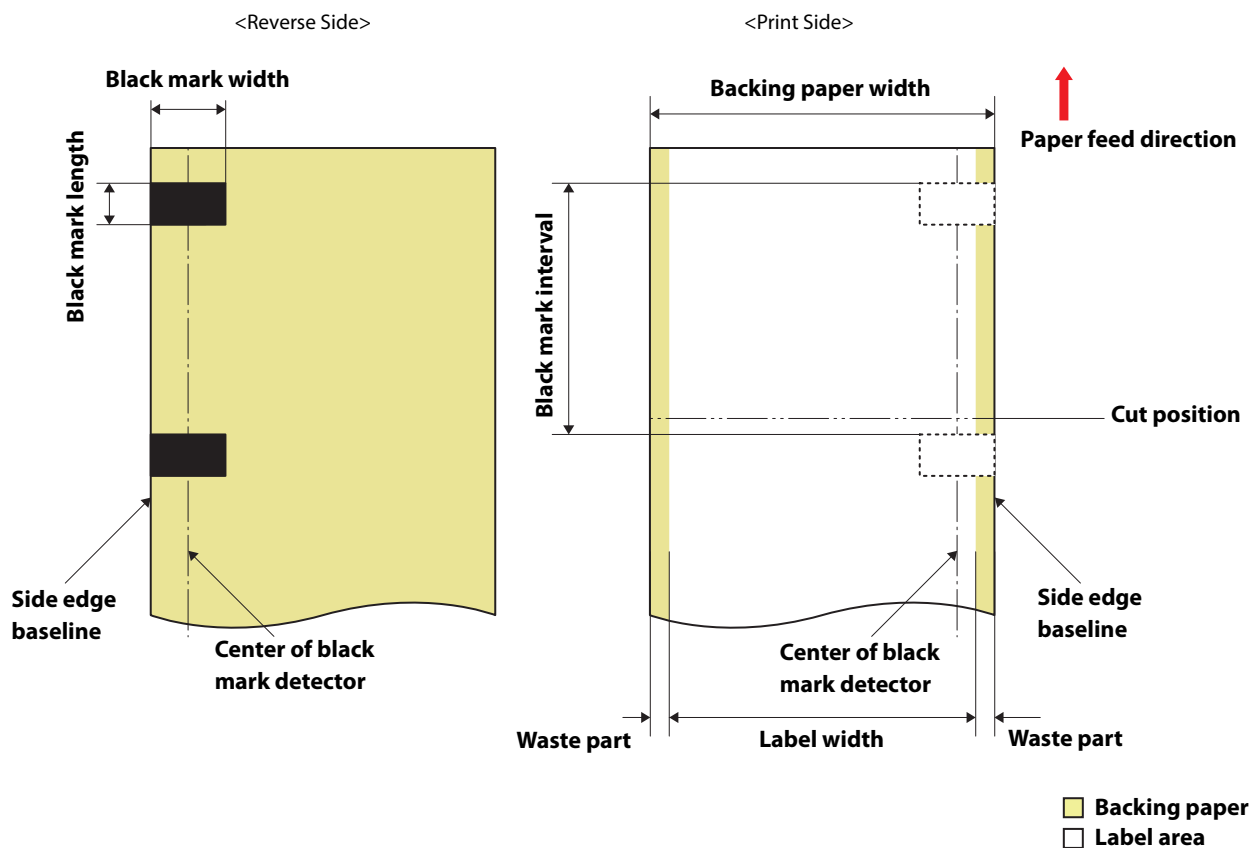


Form	Roll paper
Backing paper width	25.4 to 215.9 mm
Label width	21.4 to 211.9 mm
Label length	When auto cut is not used: 8 to 609.6 mm (up to 24 inches) When auto cut is used: 15 to 609.6 mm (up to 24 inches)
Gap between Labels	When auto cut is not used: 2 to 6 mm When auto cut is used: 3 to 6 mm
Waste part on the left and right	2 ± 0.5 mm
Label corner R	1.5 mm or less
Paper thickness	Matte Paper: 0.178 mm Synthetic: 0.235 mm Glossy Paper: 0.174 mm Glossy Film: 0.164mm High Glossy Paper: 0.188mm
Roll paper core inner diameter	$76.2 \text{ mm} \pm 0.5 \text{ mm}$
Roll paper outer diameter	152.4 mm or less
Winding direction	Print side must be facing outside (facing inside is unusable)
Perforation interval	Three (hole portion) to one (no hole portion)
Perforation form	Usable if a hole is located at side edges



- Paper with holes or cutouts cannot be used.
- Auto cutting on the perforated lines will generate scraps of paper that may cause problems. Also, auto cutting ahead of the perforated line may cause problems when feeding paper. Therefore, perform auto cutting when paper is fed at least 0.8 mm away from the perforated line.
- Set the leading edge of the next label to a position at least 1.5 mm away from the perforated line.
- Set the cut position to a position at least 0.7 mm away from the leading edge of the next label.

Roll paper Continuous Label (Black Mark)



Form	Roll paper
Backing paper width	25.4 to 215.9 mm
Label width	With waste part: 25.4 to 215.9 mm Without waste part: 21.4 to 211.9 mm
Label length	-
Gap between Labels	-
Waste part on the left and right	With waste part: - Without waste part: 2 ± 0.5 mm
Label corner R	-
Paper thickness	Matte Paper: 0.178 mm Synthetic: 0.235 mm Glossy Paper: 0.174 mm Glossy Film: 0.164mm High Glossy Paper: 0.188mm
Roll paper core inner diameter	$76.2 \text{ mm} \pm 0.5 \text{ mm}$
Roll paper outer diameter	152.4 mm or less
Winding direction	Print side must be facing outside (facing inside is unusable)
Black mark position	Each black mark should extends at least 18.4 mm from side edge baseline.

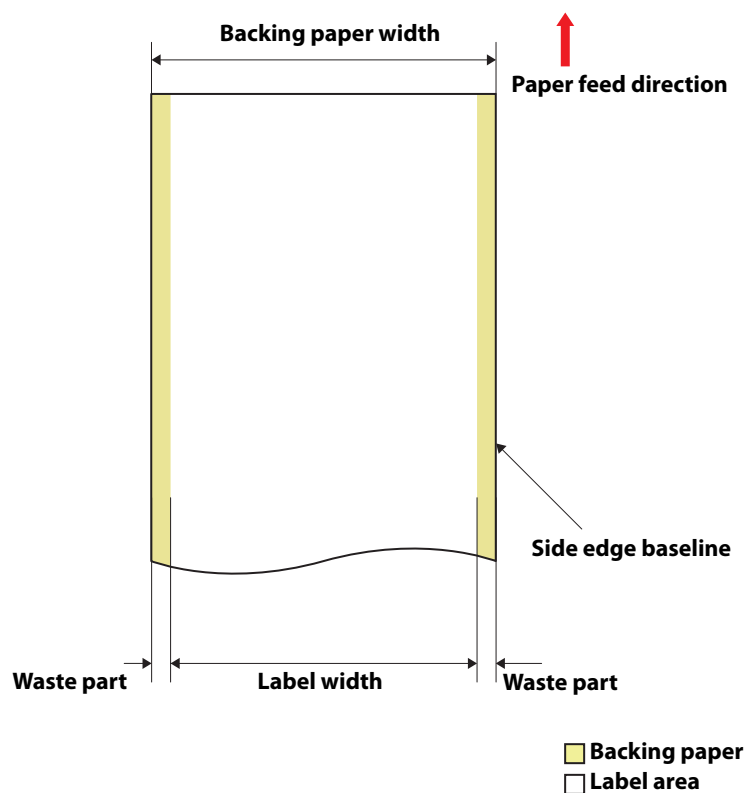
Black mark width	18.4 mm or more
Black mark length	4 to 25.4 mm, 4 mm or more of blank space on label
Black mark interval*1	When auto cut is not used: 8 to 615.6 mm When auto cut is used: 15 to 615.6 mm

*1: It is not allowed to have another black mark in the intervening space between the black marks (black mark interval).



- Paper with holes or cutouts cannot be used.
- Set the cut position to a position at least 1.7 mm away from the black mark of the next label.
- Set the start position of the first label to a position at least 1.5 mm away from the leading edge of the backing paper.

Roll paper Continuous label (without black marks)

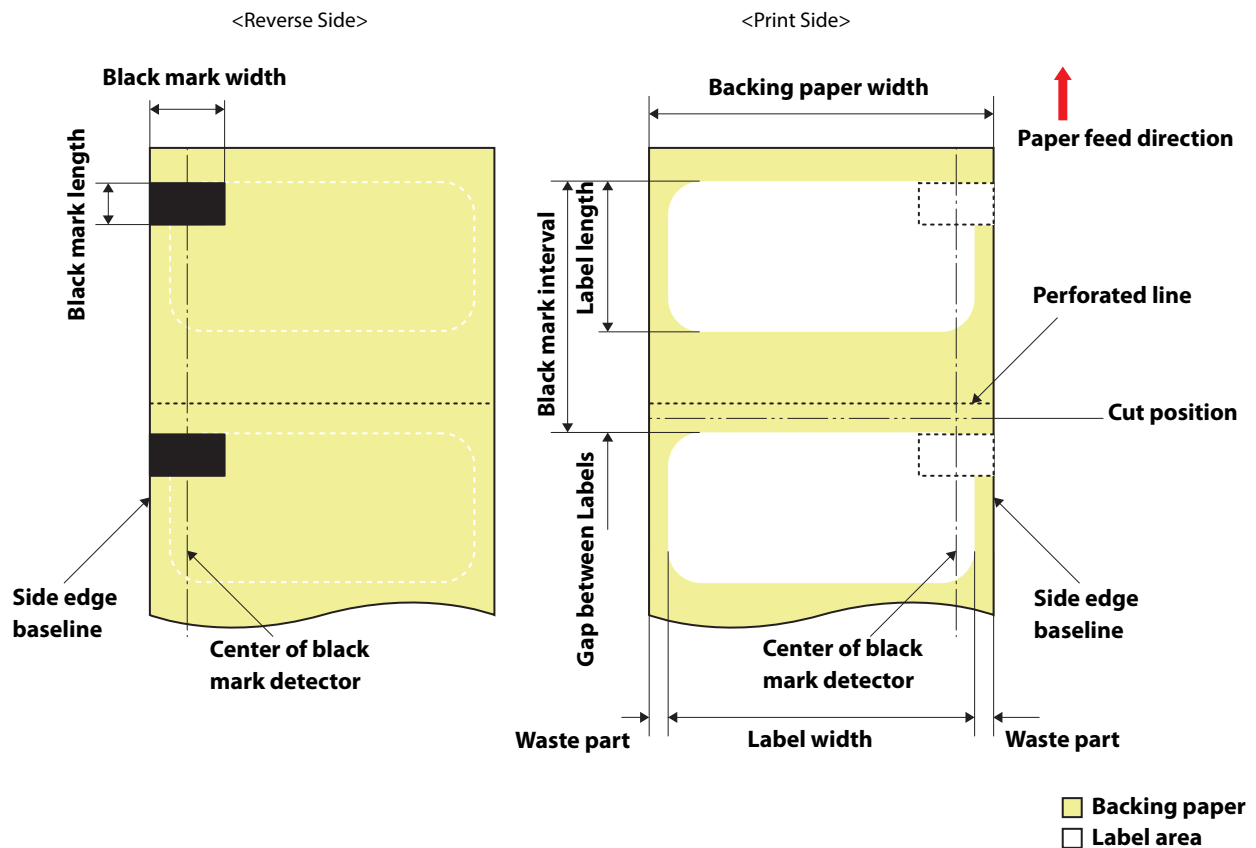


Form	Roll paper
Backing paper width	25.4 to 215.9 mm
Label width	With waste part: 25.4 to 215.9 mm Without waste part: 21.4 to 211.9 mm
Label length	-
Gap between Labels	-
Waste part on the left and right	With waste part: - Without waste part: 2 ± 0.5 mm
Label corner R	-
Paper thickness	Matte Paper: 0.178 mm Synthetic: 0.235 mm Glossy Paper: 0.174 mm Glossy Film: 0.164mm High Glossy Paper: 0.188mm
Roll paper core inner diameter	76.2 mm \pm 0.5 mm
Roll paper outer diameter	152.4 mm or less
Winding direction	Print side must be facing outside (facing inside is unusable)



- Paper with holes or cutouts cannot be used.

Fanfold Die-cut Label (Black Mark)



Form	Fanfold
Backing paper width	25.4 to 215.9 mm
Label width	21.4 to 211.9 mm
Label length	When auto cut is not used: 8 to 301.8 mm (up to 11.9 inches) When auto cut is used: 15 to 301.8 mm (up to 11.9 inches)
Gap between Labels	When auto cut is not used: 2 to 6 mm When auto cut is used: 3 to 6 mm
Waste part on the left and right	2 ± 0.5 mm
Label corner R	1.5 mm or less
Paper thickness	Matte Paper: 0.178 mm Synthetic: 0.235 mm Glossy Paper: 0.174 mm Glossy Film: 0.164mm High Glossy Paper: 0.188mm
The number of folds	750 or less
Perforated line interval	152.4 to 304.8 mm (6 to 12 inches)
Black mark position	Each black mark should extends at least 18.4 mm from side edge baseline.
Black mark width	18.4 mm or more

Black mark length	4 to 25.4 mm, 4 mm or more of blank space on label
Black mark interval*1	When auto cut is not used: 10 to 307.8 mm When auto cut is used: 18 to 307.8 mm
Perforation interval	Three (hole portion) to one (no hole portion)
Perforation form	Usable if a hole is located at side edges

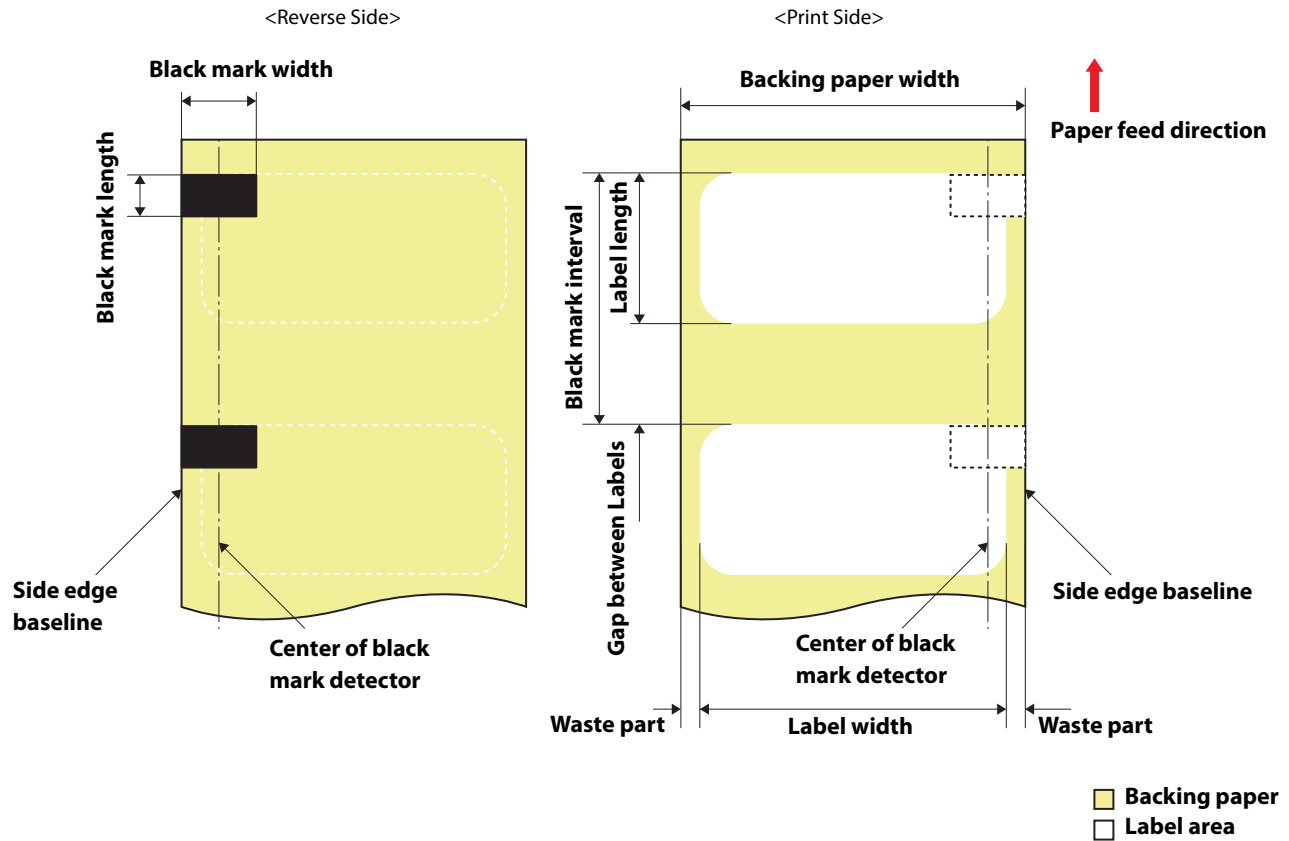
*1: It is not allowed to have another black mark in the intervening space between the black marks (black mark interval).



- Paper with holes or cutouts cannot be used.
- Auto cutting on the perforated lines will generate scraps of paper that may cause problems. Also, auto cutting ahead of the perforated line may cause problems when feeding paper. Therefore, perform auto cutting when paper is fed at least 0.8 mm away from the perforated line.
- Set the black mark position to a position at least 2.5 mm away from the perforated line.
- Set the cut position to a position at least 1.7 mm away from the black mark of the next label.
- Set the start position of the first label to a position at least 1.5 mm away from the leading edge of the backing paper.

ColorMaxXL Series (8-inch peeler model)

Roll Die-cut Label (Black Mark)



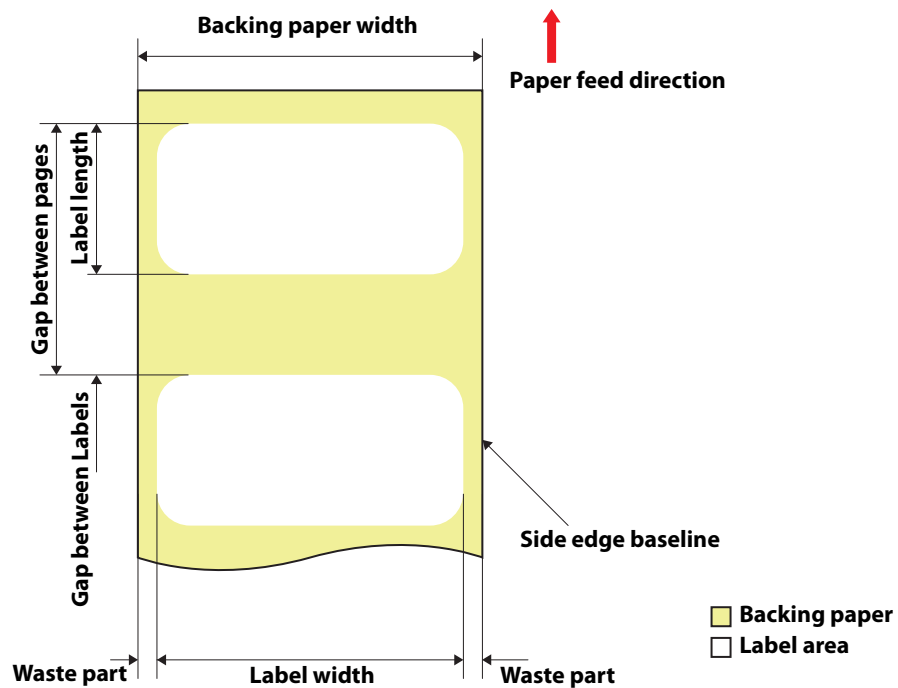
Form	Roll paper
Backing paper width	25.4 to 215.9 mm
Label width	21.4 to 211.9 mm
Label length	When peeler is not used: 8 to 609.6 mm (up to 24 inches) When peeler is used: 12.7 to 609.6 mm (up to 24 inches)
Gap between Labels	2 to 6 mm
Waste part on the left and right	2 ± 0.5 mm
Label corner R	1.5 mm or less
Paper thickness	Matte Paper: 0.178 mm Synthetic: 0.235 mm Glossy Paper: 0.174 mm Glossy Film: 0.164mm High Glossy Paper: 0.188mm
Roll paper core inner diameter	76.2 mm ± 0.5 mm
Roll paper outer diameter	152.4 mm or less
Winding direction	Print side must be facing outside (facing inside is unusable)

Black mark position	Each black mark should extends at least 18.4 mm from side edge baseline.
Black mark width	18.4 mm or more
Black mark length	4 to 25.4 mm, 4 mm or more of blank space on label
Black mark interval	When peeler is not used: 10 to 615.6 mm When peeler is used: 14.7 to 615.6 mm



- Paper with holes or cutouts cannot be used.
- Set the start position of the first label to a position at least 1.5 mm away from the leading edge of the backing paper.
- You cannot use paper with perforation. If you use the paper, the perforation may be torn and/or a paper jam may occur.
- If a blade of die had cut deep into paper, the die-cut labels become hard to be removed from the backing paper, and the peeler may fail to peel off those die-cut labels.

Roll Die-cut Label (without Black Mark)



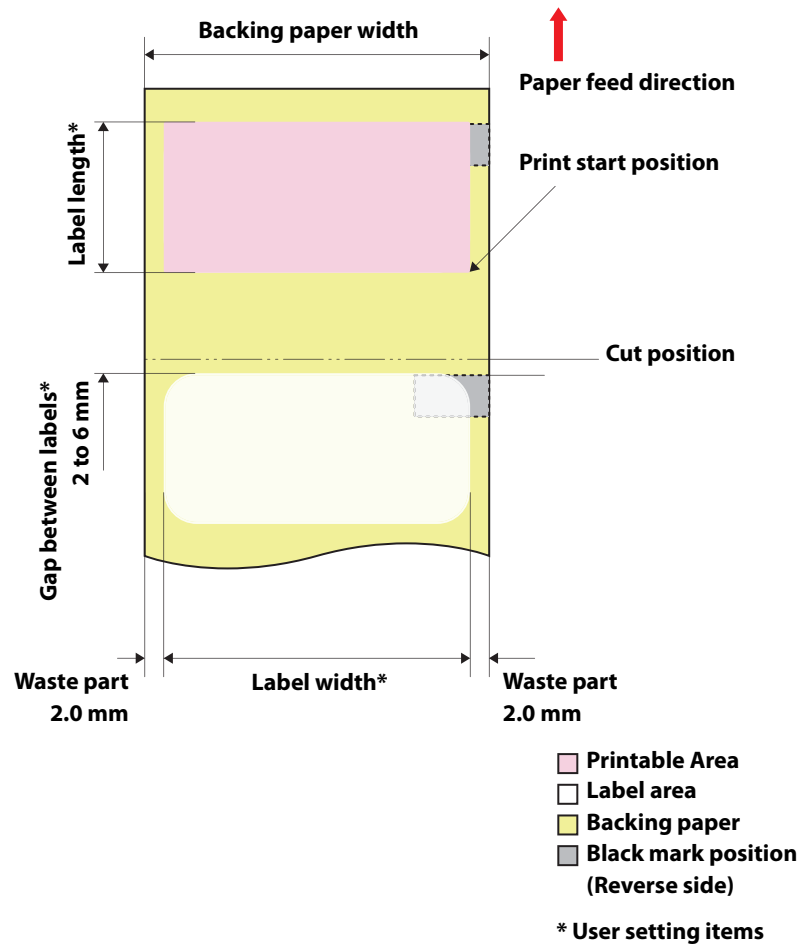
Form	Roll paper
Backing paper width	25.4 to 215.9 mm
Label width	21.4 to 211.9 mm
Label length	When peeler is not used: 8 to 609.6 mm (up to 24 inches) When peeler is used: 12.7 to 609.6 mm (up to 24 inches)
Gap between Labels	2 to 6 mm
Waste part on the left and right	2 ± 0.5 mm
Label corner R	1.5 mm or less
Paper thickness	Matte Paper: 0.178 mm Synthetic: 0.235 mm Glossy Paper: 0.174 mm Glossy Film: 0.164mm High Glossy Paper: 0.188mm
Roll paper core inner diameter	76.2 mm \pm 0.5 mm
Roll paper outer diameter	152.4 mm or less
Winding direction	Print side must be facing outside (facing inside is unusable)



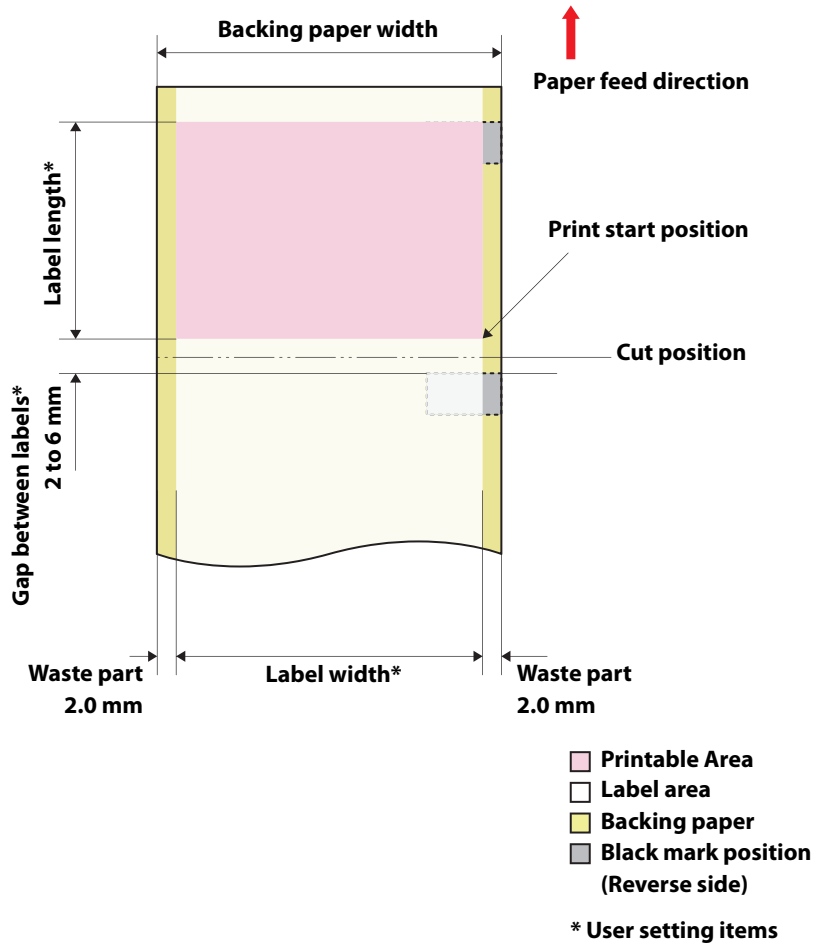
- Paper with holes or cutouts cannot be used.
- Set the start position of the first label to a position at least 1.5 mm away from the leading edge of the backing paper.
- You cannot use paper with perforation. If you use the paper, the perforation may be torn and/or a paper jam may occur.
- If a blade of die had cut deep into paper, the die-cut labels become hard to be removed from the backing paper, and the peeler may fail to peel off those die-cut labels.

Printable Area

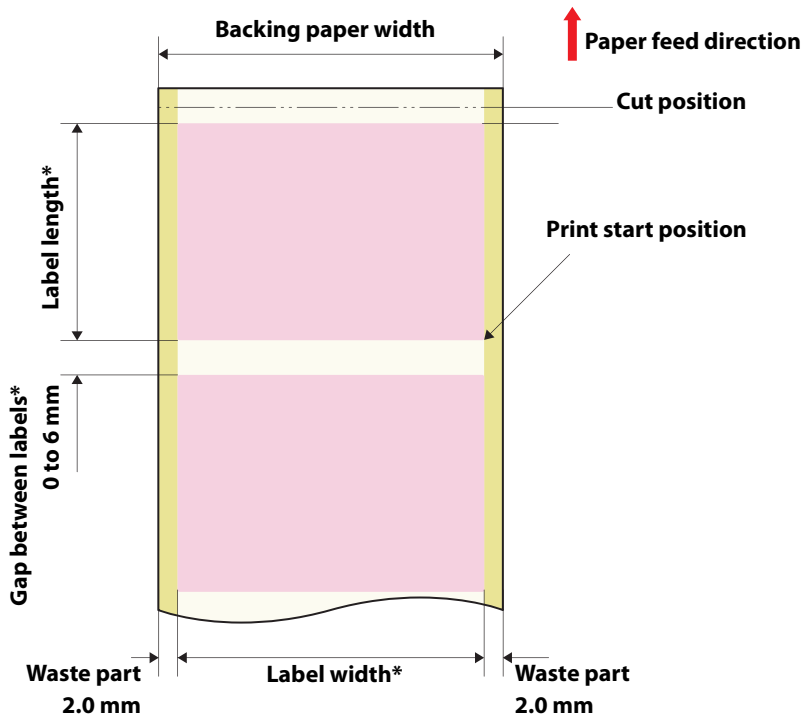
Die-cut Label (Black Mark), Die-cut Label (without black marks)



Continuous Label (Black Mark)



Continuous Label



- Printable Area
- Label area
- Backing paper
- Black mark position (Reverse side)

* User setting items

Electrical Specifications

Item		ColorMax Series	ColorMaxXL Series
Power supply		Power supply through a power connector	
Rated voltage		100 to 240 V	
Rated current		0.9 A	
Power consumption*	Operating	100V: Average of approx. 39.4 W 230V: Average of approx. 38.6 W	100V: Average of approx. 39.5 W 230V: Average of approx. 38.7 W
	Standby	100V: Average of approx. 7.51 W 230V: Average of approx. 5.82 W	100V: Average of approx. 7.51 W 230V: Average of approx. 5.82 W
	Power off	100V: Average of approx. 0.08 W 230V: Average of approx. 0.24 W	100V: Average of approx. 0.08 W 230V: Average of approx. 0.24 W

Reliability

Product life	Printer	When any one of the following is reached <ul style="list-style-type: none"> • 5 years • 200 km or 1,500,000 pages • 6,000,000 cycles of carriage movement • 1,500,000 times of valve operation inside the ink path
	Auto cutter mechanism	Die-cut label (Matte): 1,500,000 cuts Die-cut label (Synthetic): 500,000 cuts Die-cut label (Glossy Paper): 1,500,000 cuts Die-cut label (Glossy Film): 1,500,000 cuts Die-cut label (High Glossy Paper): 1,500,000 cuts Continuous label (Matte): 200,000 cuts Continuous label (Synthetic): 100,000 cuts Continuous label (Glossy Paper): 300,000 cuts Continuous label (Glossy Film): 100,000 cuts Continuous label (High Glossy Paper): 200,000 cuts



- Depending of paper used, the reliability values may differ.
- The cutter reliability may differ if paper is changed to wider paper because it causes differences partially in degree of wear of the cutter blade.

Environmental Specifications

Item		Specifications
Temperature/ humidity	Printing	5 to 35°C, 20 to 80% RH without condensation (the blue-colored range in the graph)
	Barcode printing	15 to 35°C, 20 to 80% RH without condensation
	Storage	When packed (ink not charged): -20 to 60°C, 5 to 85% RH without condensation When -20°C or 60°C, within 120 hours With ink charged: -20 to 40°C When -20°C, within 120 hours When 0 to 25°C, within 6 months When 40°C, within 1 month
Elevation		0 to 3000 m
Noise		Auto cutter model: Approx. 55 dB Peeler model: Approx. 60 dB Based on Epson evaluation conditions.

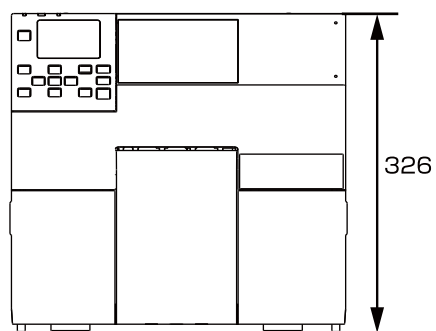
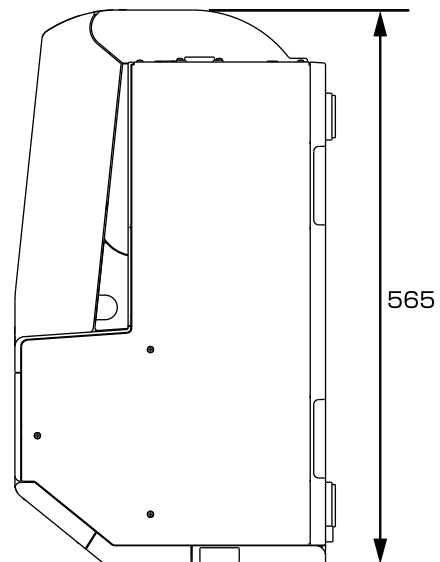
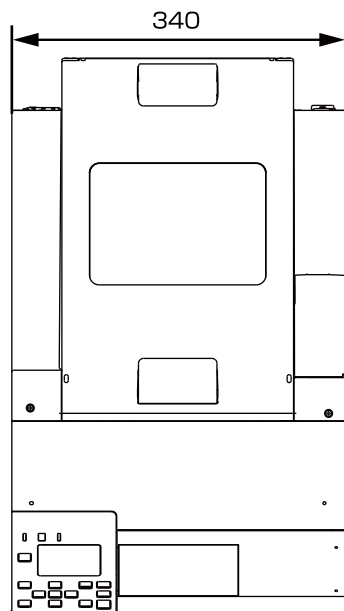
Overall Dimensions

ColorMax Series

■ Printer Dimensions

Auto cutter model

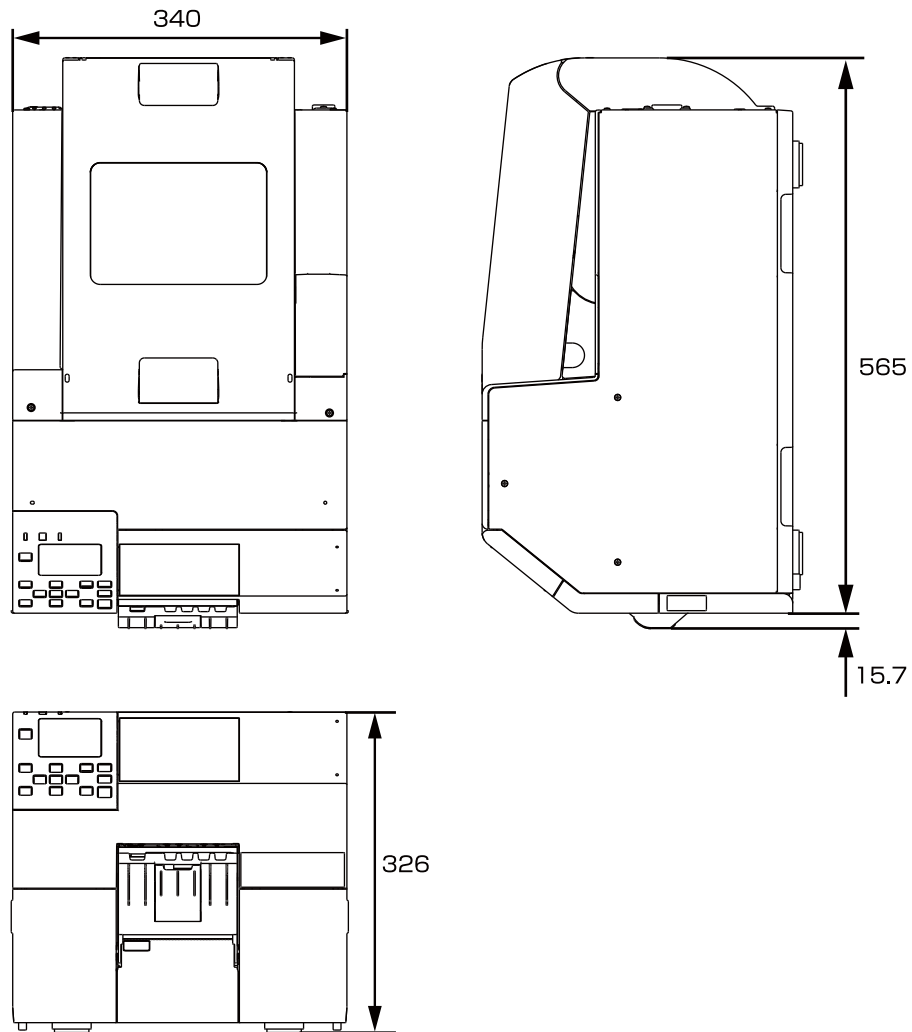
- Width: 340 mm
- Depth: 565 mm
- Height: 326 mm



[Unit: mm]

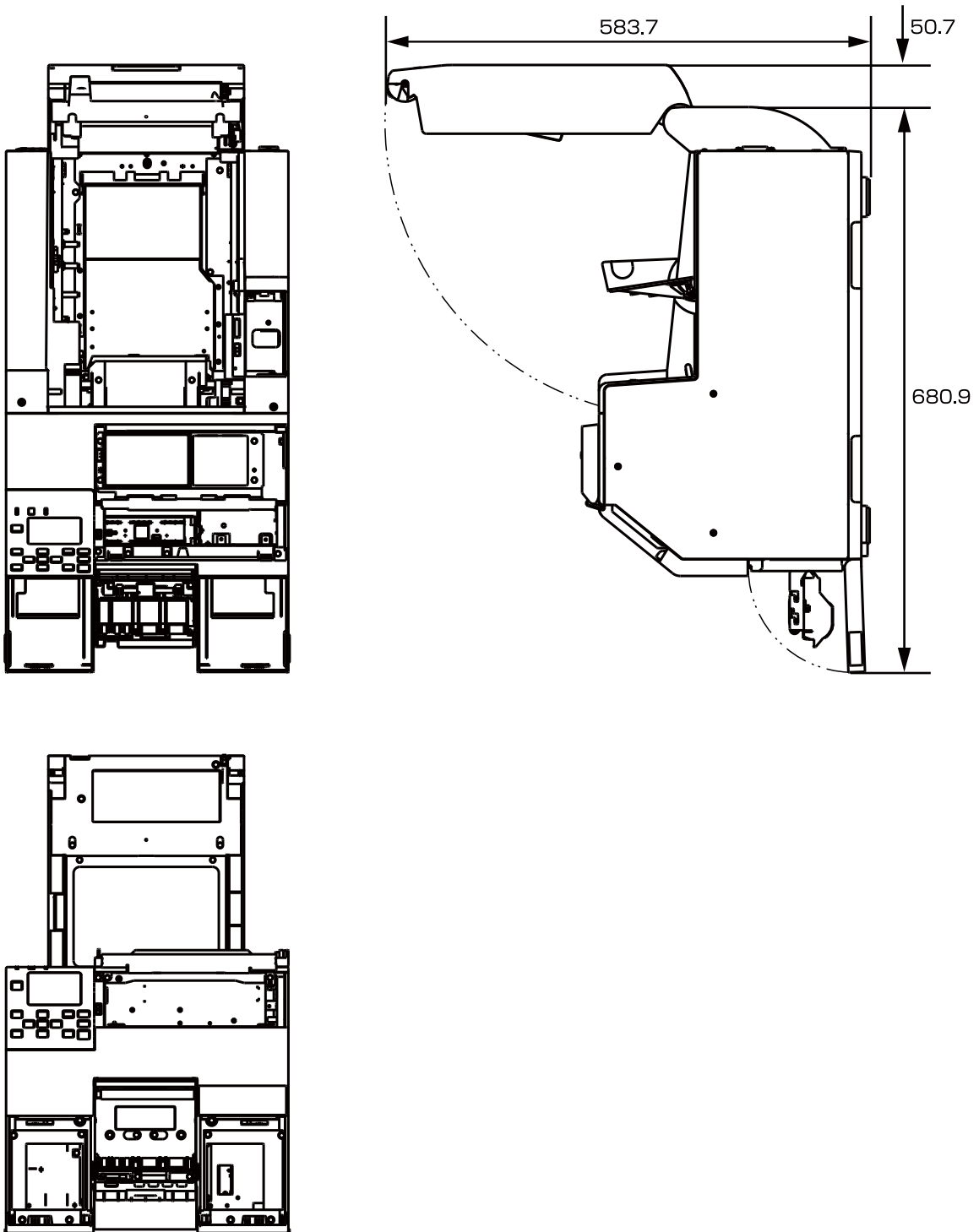
Peeler model

- Width: 340 mm
- Depth: 565 mm
- Height: 326 mm



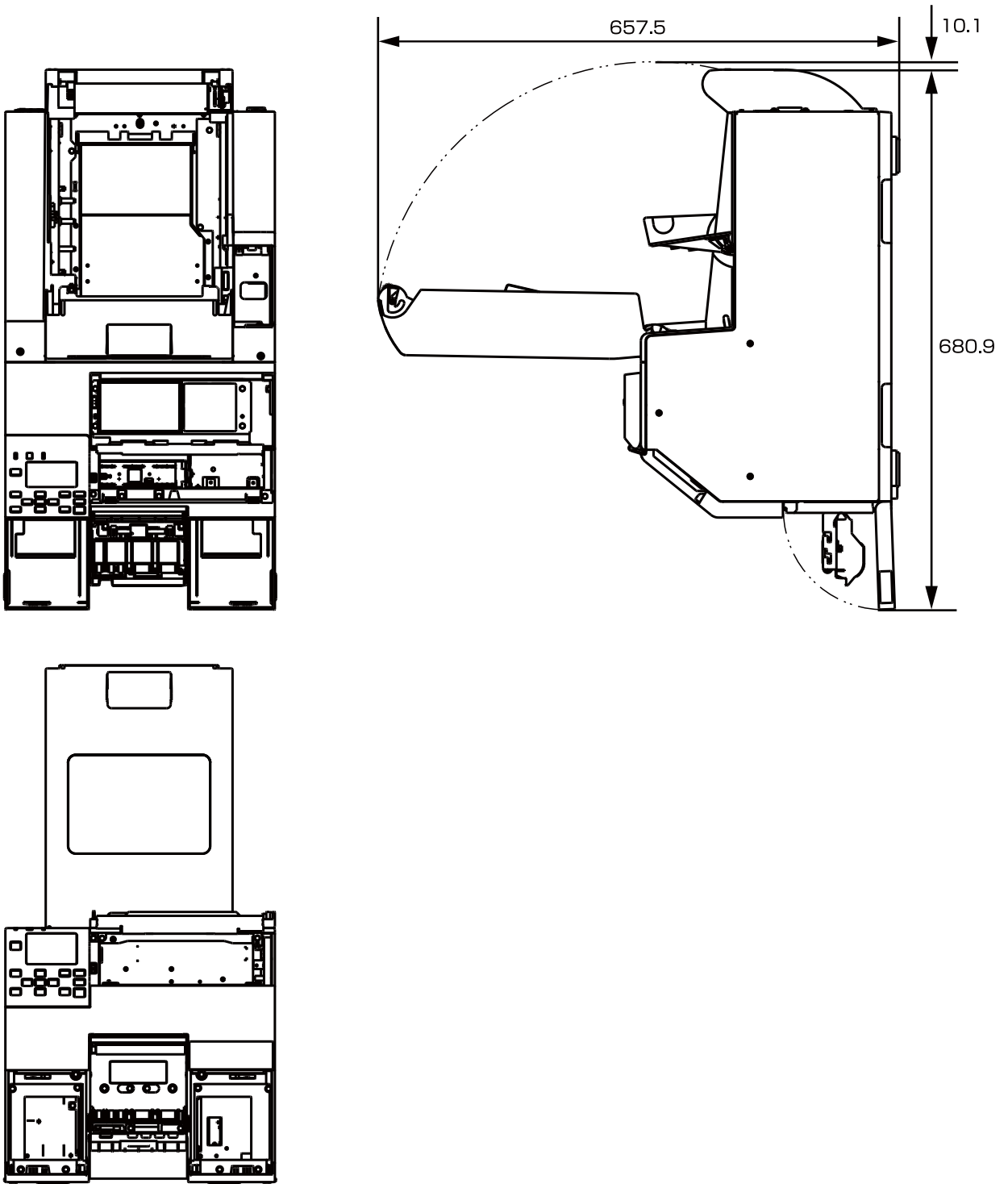
[Unit: mm]

■ When the cover is opened 1



[Unit: mm]

■ When the cover is opened 2



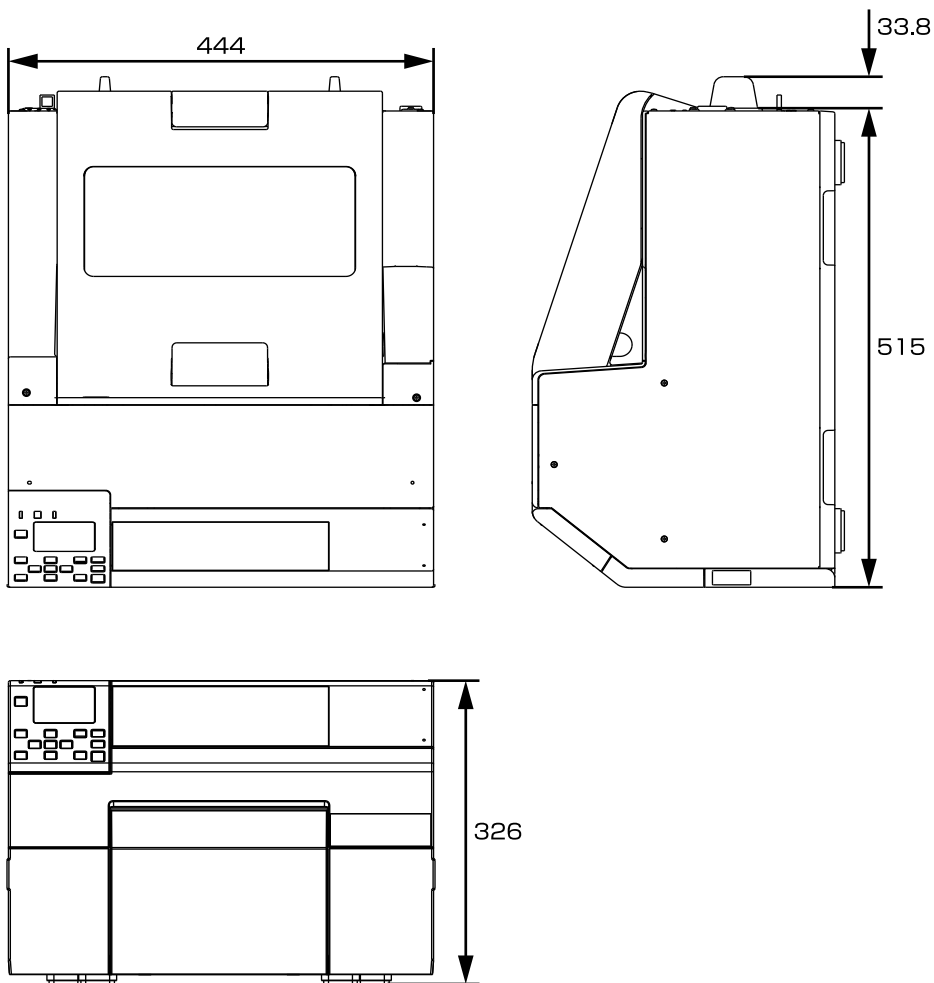
[Unit: mm]

ColorMaxXL Series

■ Printer Dimensions

Auto cutter model

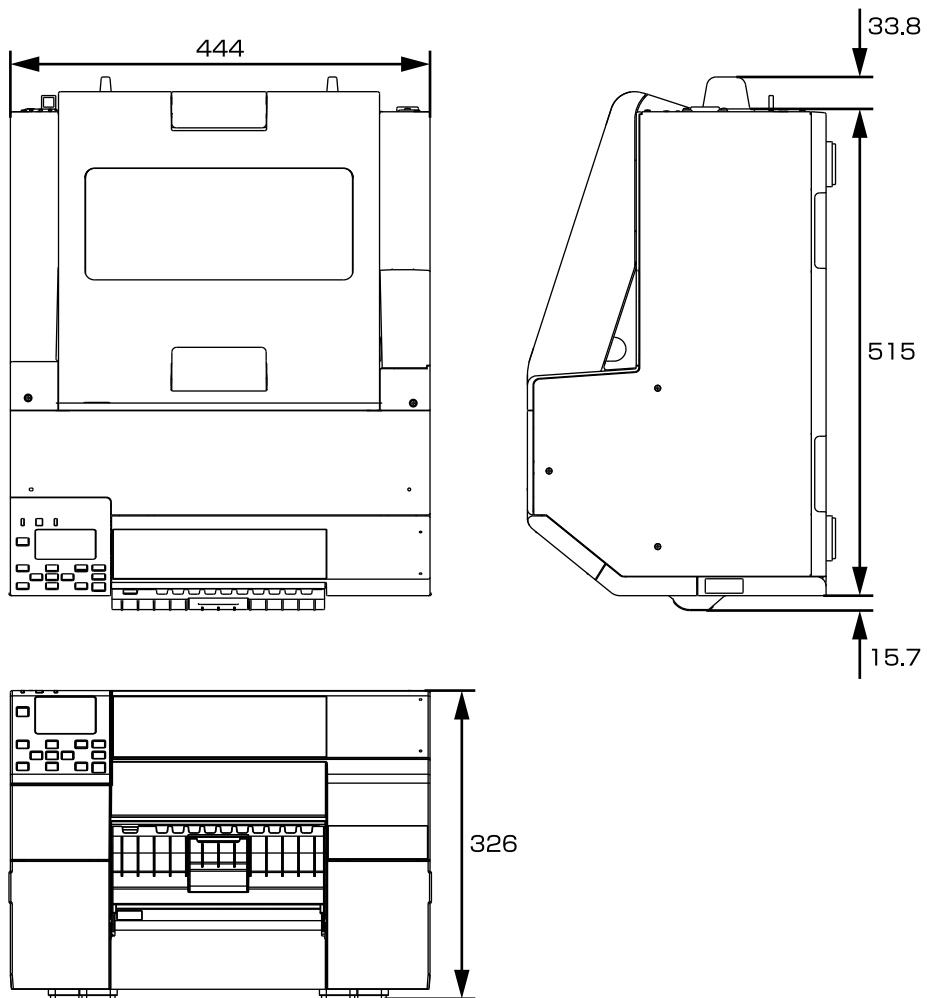
- Width: 444 mm
- Depth: 515 mm
- Height: 326 mm



[Unit: mm]

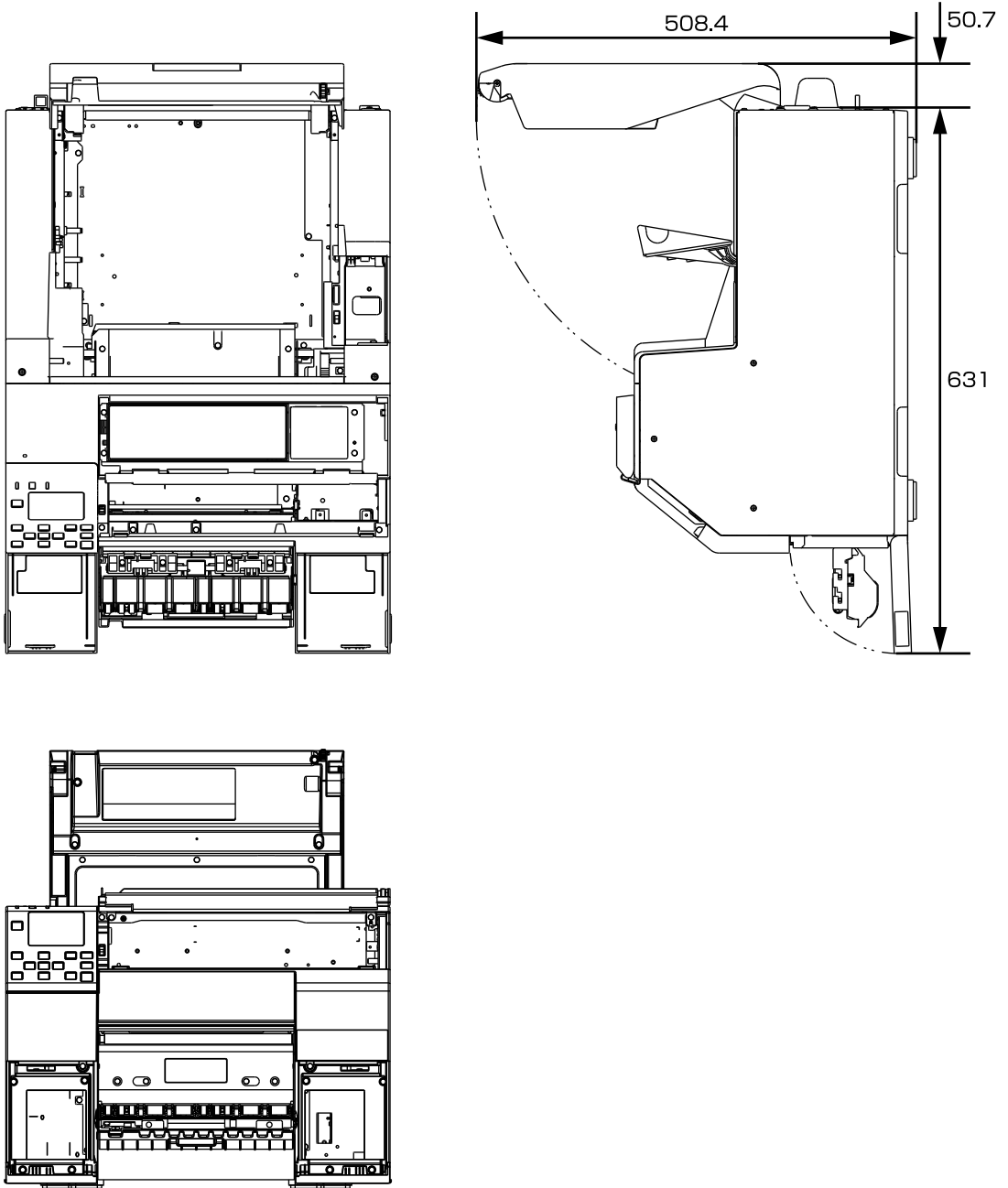
Peeler model

- Width: 444 mm
- Depth: 515 mm
- Height: 326 mm



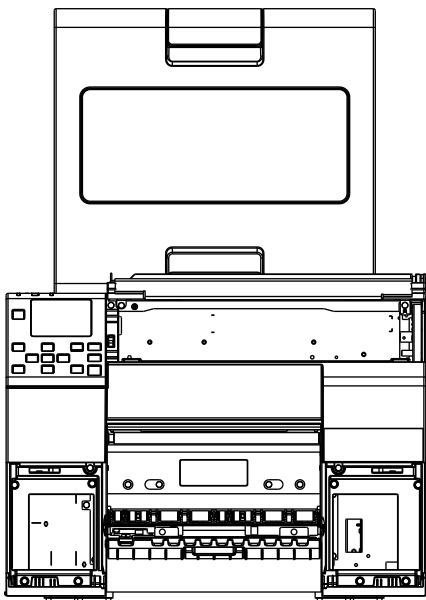
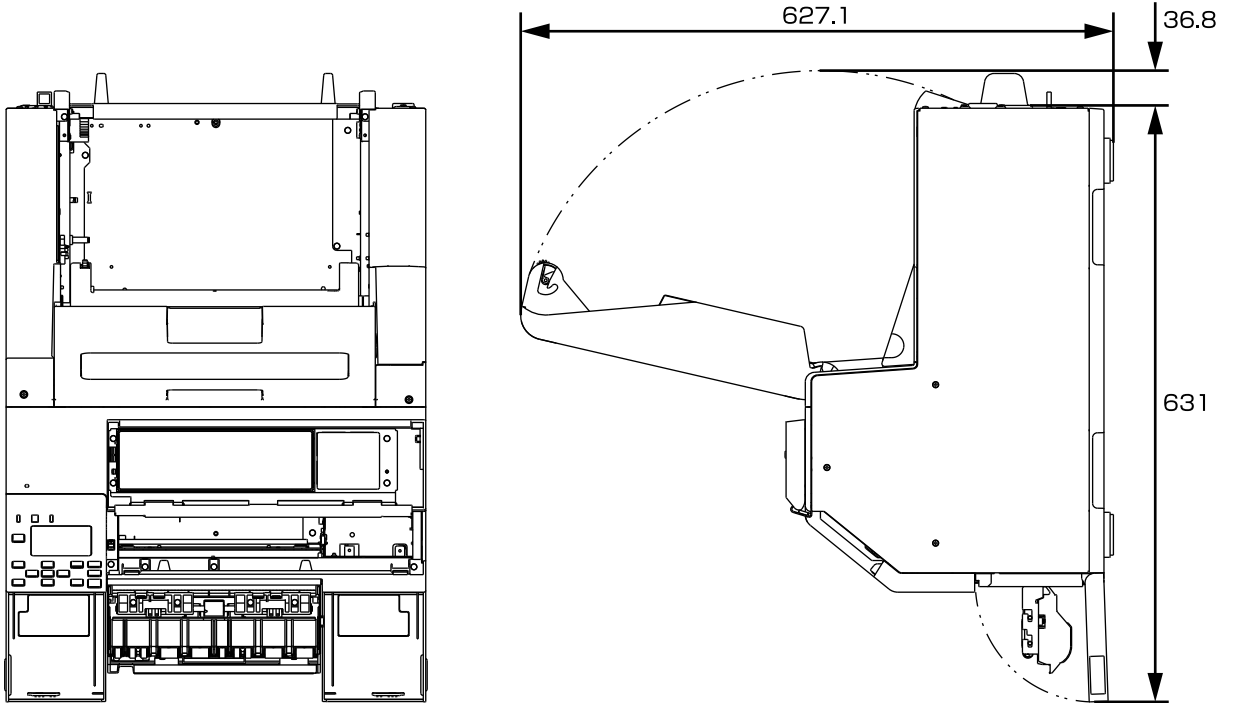
[Unit: mm]

■ When the cover is opened 1



[Unit: mm]

■ When the cover is opened 2



[Unit: mm]

Consumables Specifications

Ink Cartridges

Model number	CW-C6000Au CW-C6000Pu CW-C6500Au CW-C6500Pu	SJIC35P-BK/SJIC35P-C/SJIC35P-M/SJIC35P-Y
	CW-C6000Ae CW-C6000Pe CW-C6500Ae CW-C6500Pe	SJIC36P-BK/SJIC36P-C/SJIC36P-M/SJIC36P-Y
	CW-C6010A CW-C6010P CW-C6510A CW-C6510P	SJIC36P-BK/SJIC36P-C/SJIC36P-M/SJIC36P-Y
	CW-C6020A CW-C6020P CW-C6520A CW-C6520P	SJIC37P-BK/SJIC37P-C/SJIC37P-M/SJIC37P-Y
	CW-C6030A CW-C6030P CW-C6530A CW-C6530P	SJIC38P-BK/SJIC38P-C/SJIC38P-M/SJIC38P-Y
	CW-C6040A CW-C6040P CW-C6540A CW-C6540P	SJIC39P-BK/SJIC39P-C/SJIC39P-M/SJIC39P-Y
	CW-C6050A CW-C6050P CW-C6550A CW-C6550P	SJIC40P-BK/SJIC40P-C/SJIC40P-M/SJIC40P-Y
Type	4 individual color cartridges	
Ink colors	Black, cyan, magenta, yellow	
Ink type	Pigmented ink	
Expiration date	6 months after installation in the printer, 3 years from the production date including the period of use	
Storage temperature	Transporting (without unpacking)	-20 to 60°C (within 5 days when 60°C)
	Storage (without unpacking)	-20 to 40°C (within 1 month when 40°C)
	Installed	-20 to 40°C (within 1 month when 40°C)

Maintenance Box

Model number		SJMB6000/6500
Type		Maintenance box with integrated waste ink absorbing material
Storage temperature	Transporting (without unpacking)	-20 to 60°C (within 5 days when 60°C)
	Storage (without unpacking)	-20 to 40°C (within 1 month when 40°C)
	Installed	-20 to 40°C (within 1 month when 40°C)

Option Specifications

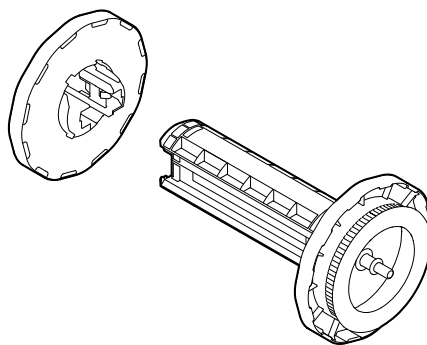
Roll Paper Holder

A spare roll paper holder is provided as an option. In the following cases, replacement of the roll paper can be performed quickly by loading paper beforehand in the spare roll paper holder.

- When you want to use paper of a different size or frequently change the label material
- When you want to reduce the down time as a result of roll paper replacement

Model number:

- Paper Holder C6000 (for ColorMax Series)
- Paper Holder C6500 (for ColorMaxXL Series)



Item	Paper Holder C6000	Paper Holder C6500
Dimensions (H x W x D)	220 x 206 x 220 mm	175 x 310 x 175 mm
Weight	0.65 kg	0.65 kg

Requirements for External Devices

The printer is designed to print on roll paper fed from inside the printer or on fanfold paper fed from outside the printer.

If you use an external paper feeder and/or paper rewinder with the printer, read this section carefully to know required settings and requirements for using the external devices, and perform adequate verification before starting actual printing.

Media Source Setting

When using an external paper feeder, change the media source setting to the setting for feeding paper from outside the printer.

Setting using the Printer Driver

Change the setting to [External feed] referring to ["Paper Source and Paper Detection Settings"](#) on page 68.

Setting using the Operation Panel

[Menu] - [Media Setting] - [Media Source] - [Rear Feed]

Paper Feed Speed

The table below shows paper feed speeds of this product.

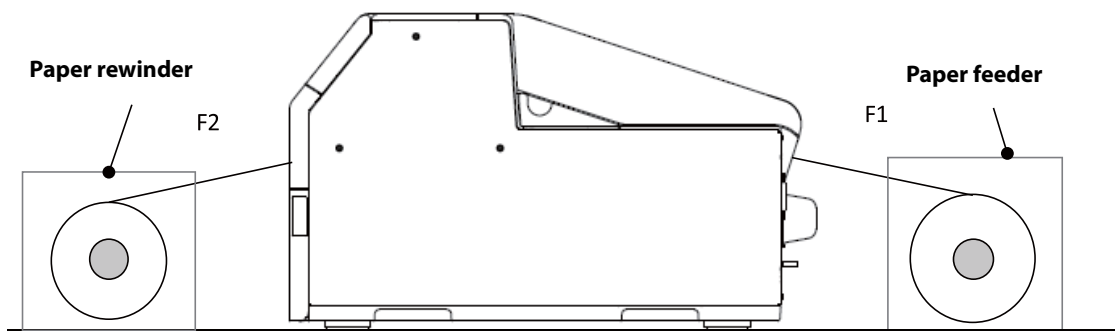
Print quality	Max paper feed speed
Max Speed	508 mm/s
Speed	508 mm/s
Normal	254 mm/s
Quality	127 mm/s
Max Quality	25.4 mm/s
Other	254 mm/s



- "Other" means a paper feed operation when the printer is not printing, such as when feeding paper with the Feed button.
- The max paper feed speed changes automatically according to the set print quality and the length to feed.

Paper Tension

The allowable values of tension applied to paper between the printer and a paper feeder or rewinder are as follows.



Paper tension at the feeder side (F1)	2N or less
Paper tension at the rewinder side (F2)	2N or less



IMPORTANT

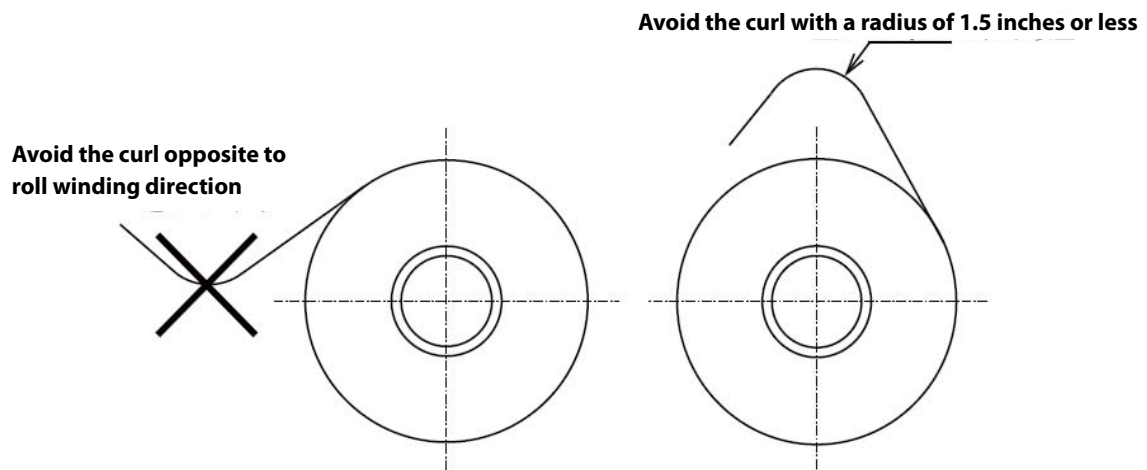
If the paper tension varies too much, the paper may not be fed accurately.

Paper Curl

When using a paper feeder, follow the guidelines below to prevent paper from curling.

When leaving the printer and the paper feeder unused for a long term, place the paper feeder so that paper is not curled in the direction opposite to the roll winding direction.

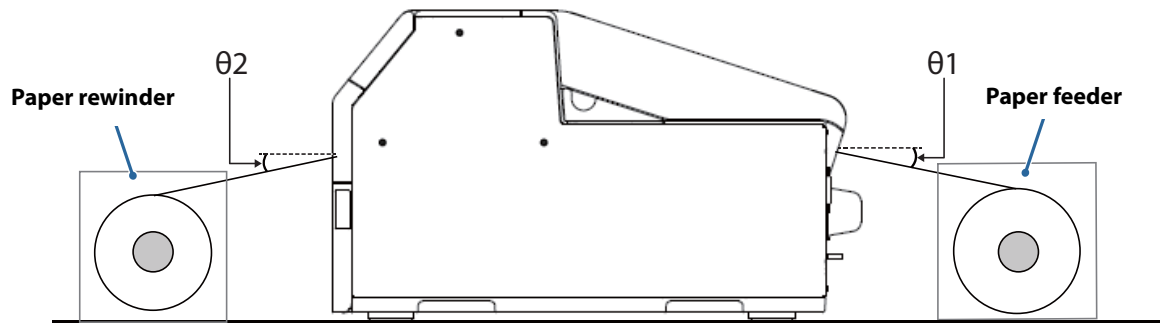
In addition, avoid letting the paper curl with a radius of 1.5 inches or less even if the paper is curled in the roll winding direction.



The outer diameter of the roll core should be at least 82 mm.

Paper Angle for Feeding and Ejecting

The allowable values of angle for feeding paper from a paper feeder (θ_1) and for ejecting paper to a paper rewriter (θ_2) are as follows.



Angle for paper feeding: θ_1	$15^\circ \leq \theta_1 \leq 30^\circ$
Angle for ejecting paper: θ_2	$0^\circ \leq \theta_2 \leq 20^\circ$

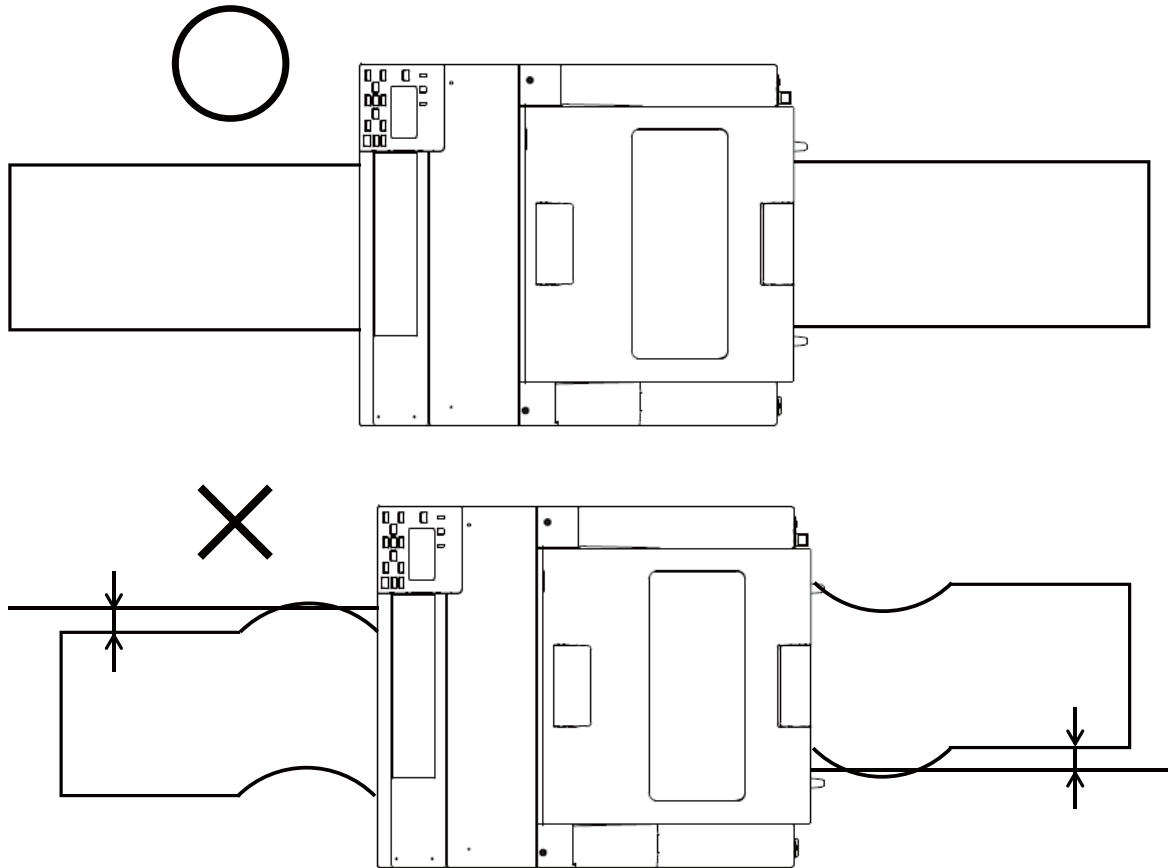


CAUTION

Take care not to let printed side of paper touch exteriors of the devices.

Position of Paper Feeder and Paper Rewinder

Place a paper feeder and paper rewriter so that paper is fed or ejected straight to/from the printer.



If you find that paper is skewed before it reaches the printer or rewriter, adjust the position of the paper feeder or the paper rewriter.

Downloading Printer Driver, Utilities, and Manuals

The latest versions of the printer driver, utilities, and manuals can be downloaded from the following URLs.

For customers in North America, go to the following web site:

www.epson.com/support/

For customers in other countries, go to the following web site:

www.epson-biz.com/

Label Print Applications

Some commercially available label print applications offer a printer driver for this printer allowing you to use the printer easily from the applications. By using the printer driver, you can make the printer settings and use the printer functions.

When you use the printer driver, you do not need to use the Epson printer driver.

The label print applications that offer a printer driver for this printer are listed below.

- BarTender
- NiceLabel
- CODESOFT

How to Get Software

BarTender

<https://www.bartendersoftware.com/>

NiceLabel

<https://www.nicelabel.com/>

CODESOFT

<https://www.teklynx.com/>

For Inquiries

If you have any technical questions about this printer, or if any problems occur, please contact us with the following information.



- Contents of technical questions must be about our printers only. For those about products of Microsoft Corporation or other companies, please contact them.
- If any problems occur, check whether there is any physical cause (such as connection or power problems) before contacting us.

- Type of inquiry: Problem / Question
- Date:
- Your company:
- Department:
- Your name:
- Phone/Fax/Email:
- Computer information:
 - Manufacturer
 - CPU
- OS (with Service Pack information):
- Model name of the printer:
- Printer driver: Installed (OS driver or Epson driver) / Not installed
- Connection type: USB / Ethernet / MS shared (Client / Server)
- Firewall: OS standard / Personal (Product name/Ver.) / None
- Your application information:
 - Windows service operation / Normal EXE operation
- EPSON application status: EpsonNet WebManager / EpsonNet Log Browser / Epson Monitoring Tool / EpsonNet Simple Viewer / EpsonNet SDK for Windows / Printer Setting / Other (Application name)
- Phenomenon of the problem (or content of the question):
- System configuration: Hardware configuration such as computer and network, and Software module configuration
- Procedure of reproduction of the problem:
 - Operation procedure, functional procedure, function and argument value to reproduce
- Reproducibility of the problem: Yes (out of times) / No